



REGISTERS, GRILLES & DIFFUSERS
PRODUCT CATALOG

CONTENTS

RESIDENTIAL

FLOOR REGISTERS AND GRILLES	1
BASEBOARD REGISTERS AND GRILLES	4
SIDEWALL/CEILING REGISTERS	8
CEILING DIFFUSERS	19
RETURN AIR GRILLES	20
RETURN AIR FILTER GRILLES	21

LIGHT COMMERCIAL

CEILING DIFFUSERS	22
SIDEWALL/CEILING SUPPLIES AND RETURNS	24
RETURN AIR FILTER GRILLES	28

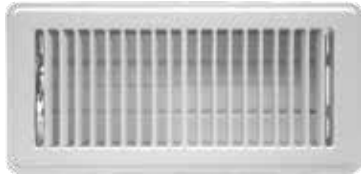
T-BAR

FIXED PATTERN DIFFUSERS	29
RETURN GRILLES	33
PERFORATED SUPPLIES AND RETURNS	39
ACCESSORIES	44

CROSS REFERENCE

RESIDENTIAL	46
LIGHT COMMERCIAL	48

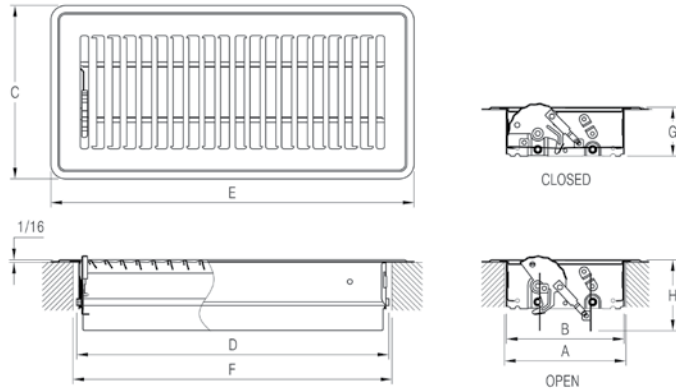
*For Engineering and Performance Data, visit www.accordventilation.com



101 - Floor Register

- Steel construction
- Opposed blade damper
- Welded construction
- Multi-angle rolled fins
- White or brown durable finish

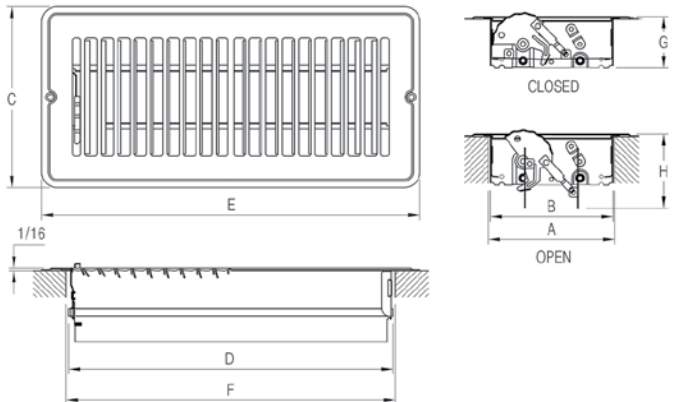
Available Sizes (in inches)				
HEIGHT	WIDTH			
	8	10	12	14
2		•	•	•
3		•		
4	•	•	•	•
6	•	•	•	•
8				•



102 - Floor Register

- Steel construction
- Opposed blade damper
- Welded construction
- Multi-angle rolled fins
- Mounting holes
- White or brown durable finish

Available Sizes (in inches)			
HEIGHT	WIDTH		
	10	12	14
2	•	•	•
3	•		
4	•	•	

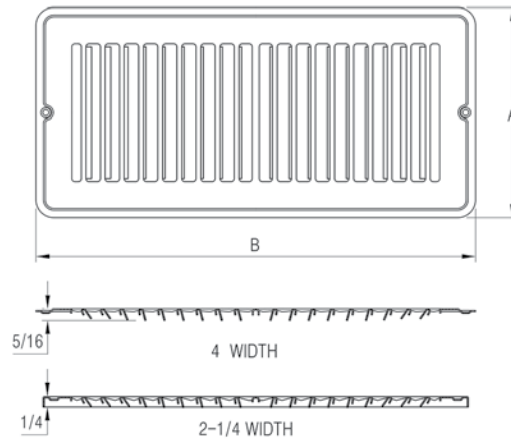




105 - Toe Space Grille

- Steel construction
- Multi-angle rolled fins
- Matching color screws included
- White or brown durable finish

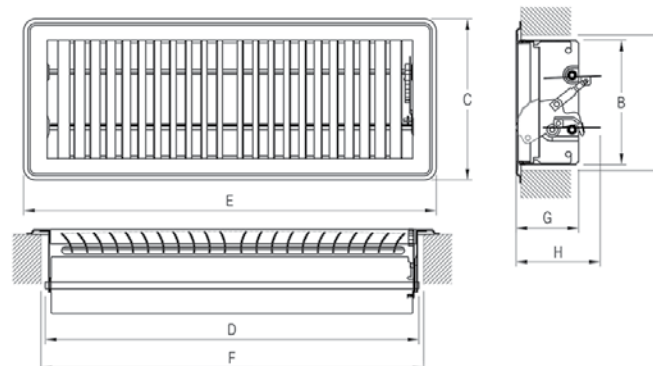
Available Sizes (in inches)			
HEIGHT	WIDTH		
	10	12	14
2	●	●	●
4	●	●	●



110 - Heavy Gauge Floor Register

- Heavy gauge steel construction
- Opposed blade damper
- Welded construction
- Individually welded diffusion fins
- High traffic area application
- White or brown durable finish

Available Sizes (in inches)			
HEIGHT	WIDTH		
	10	12	14
2	●	●	●
4	●	●	●
6	●	●	●

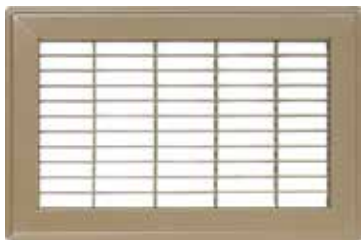
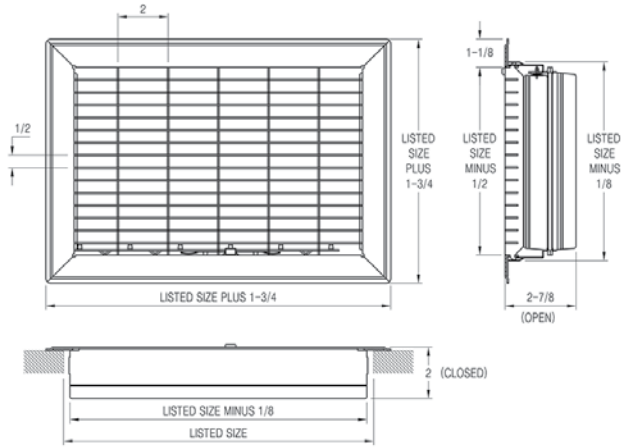




115 - Floor Register

- Heavy gauge steel construction
- Smooth operating damper
- Rigid faceplate provides firm surface
- Brown durable finish

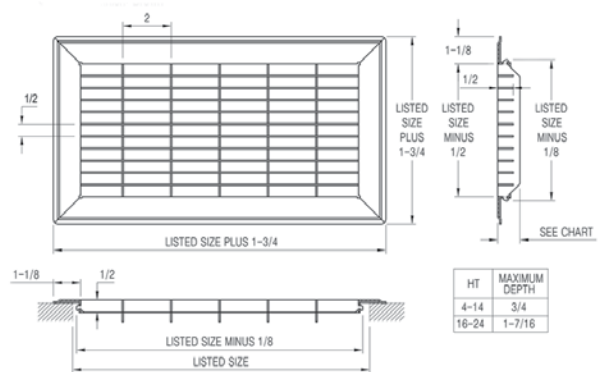
Available Sizes (in inches)					
HEIGHT	WIDTH				
	8	10	12	14	16
4	●	●	●	●	●
6	●	●	●	●	
8	●	●	●	●	
9			●		
10		●	●		
12			●	●	



120 - Floor Return Air Grille

- Heavy gauge steel construction
- Rigid faceplate provides firm surface
- Brown durable finish

Available Sizes (in inches)											
HEIGHT	WIDTH										
	8	10	12	14	16	18	20	24	26	30	36
4	●	●	●	●				●		●	
6	●	●	●	●	●	●	●	●		●	●
8		●	●	●	●	●	●	●		●	
9			●								
10		●	●	●	●	●	●	●		●	
12			●	●	●	●	●	●		●	
14				●	●		●	●		●	
16					●		●	●			
18										●	
20							●	●	●	●	
24								●		●	●

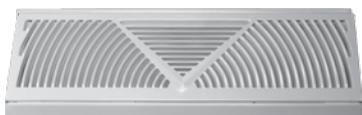
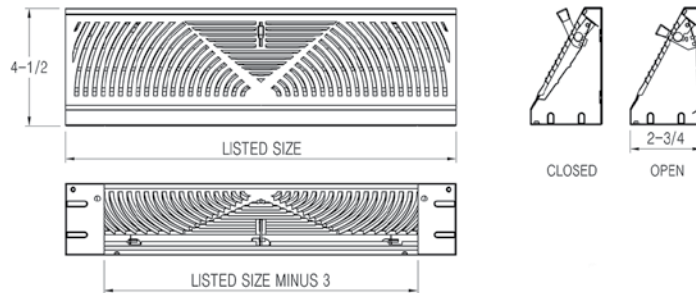




150 - Baseboard Diffuser

- Steel construction
- Volume control damper
- 180° air deflection
- Removable faceplate for easy installation and cleaning
- White or brown durable finish

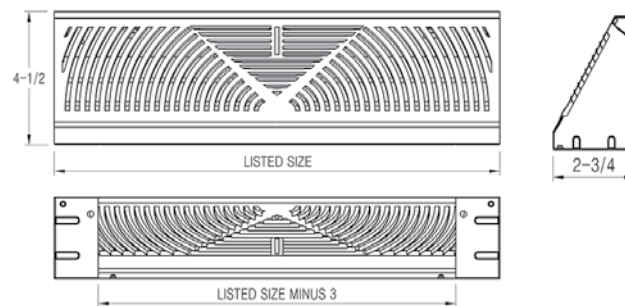
Available Sizes (in inches)			
HEIGHT	WIDTH		
	15	18	24
4-1/2	●	●	●



155 - Baseboard Return Air Grille

- Steel construction
- Removable faceplate for easy installation and cleaning
- Complementary to model 150
- White or brown durable finish

Available Sizes (in inches)	
HEIGHT	WIDTH
	15 18
4-1/2	● ●

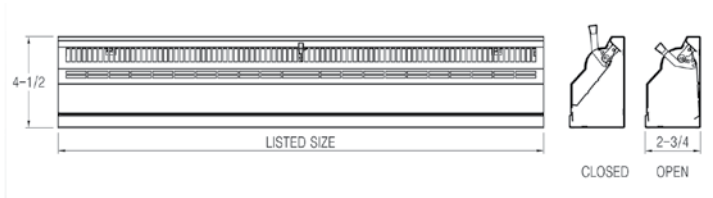




Available Sizes (in inches)	
WIDTH	
24	48
●	●

160 - Baseboard Diffuser

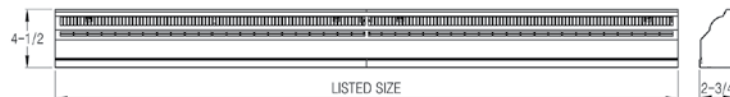
- Steel construction
- Removable faceplate for easy installation and cleaning
- White or brown durable finish



Available Sizes (in inches)	
WIDTH	
	48
	●

165- Baseboard Return Air Grille

- Steel construction
- Removable faceplate for easy installation and cleaning
- White or brown durable finish

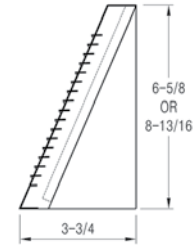
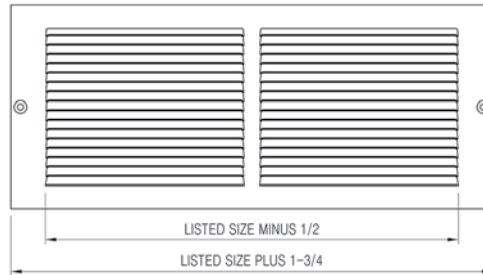




170 - Baseboard Return Air Grille

- Steel construction
- 1/3" spaced fins
- Complementary to model 175
- White durable finish

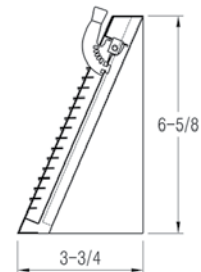
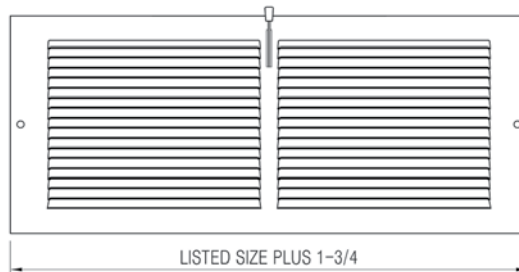
Available Sizes (in inches)			
HEIGHT	WIDTH		
	14	24	30
6	●	●	●
8	●	●	●



175 - Baseboard Register

- Steel construction
- 1/3" spaced fins
- Volume control damper
- White durable finish

Available Sizes (in inches)			
HEIGHT	WIDTH		
	10	12	14
6	●	●	●

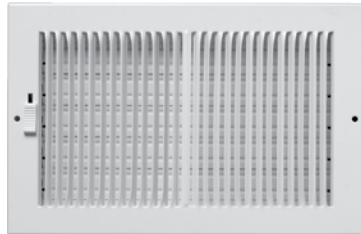
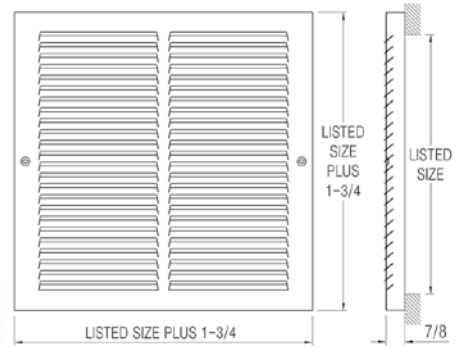




185 - Baseboard Return Air Grille

- Steel construction
- 7/8" projection
- 1/2" spaced fins
- White durable finish

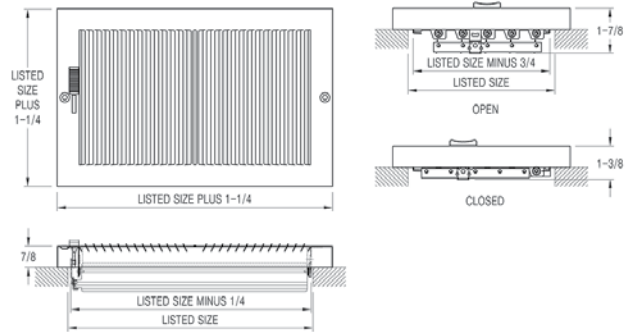
Available Sizes (in inches)							
HEIGHT	WIDTH						
	12	14	16	20	24	30	36
6	●	●	●	●	●	●	●
8		●	●	●	●	●	●
10		●			●	●	●
12					●	●	●



190 - Baseboard Register

- Steel construction
- 7/8" projection
- 1/3" spaced fins
- Multi-shutter damper
- White durable finish

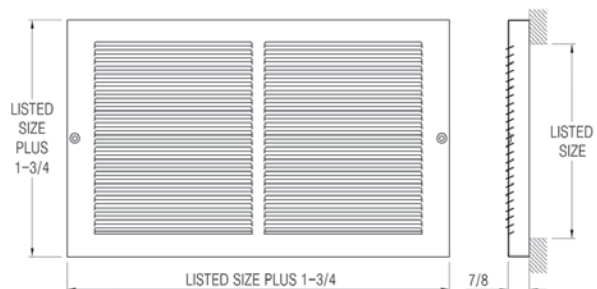
Available Sizes (in inches)			
HEIGHT	WIDTH		
	10	12	14
6	●	●	●

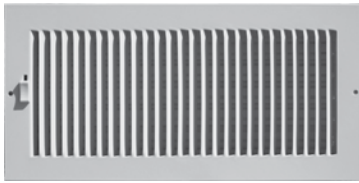


195 - Baseboard Return Air Grille

- Steel construction
- 7/8" projection
- 1/3" spaced fins
- Complementary to model 190
- White durable finish

Available Sizes (in inches)								
HEIGHT	WIDTH							
	10	12	14	16	20	24	30	36
4			●					
6	●	●	●	●	●	●	●	●
8	●	●	●	●	●	●	●	●
10			●			●	●	●
12			●			●	●	
14			●					

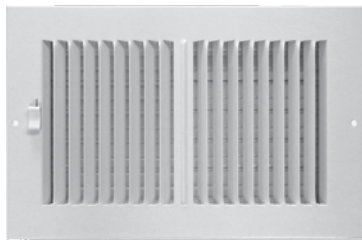
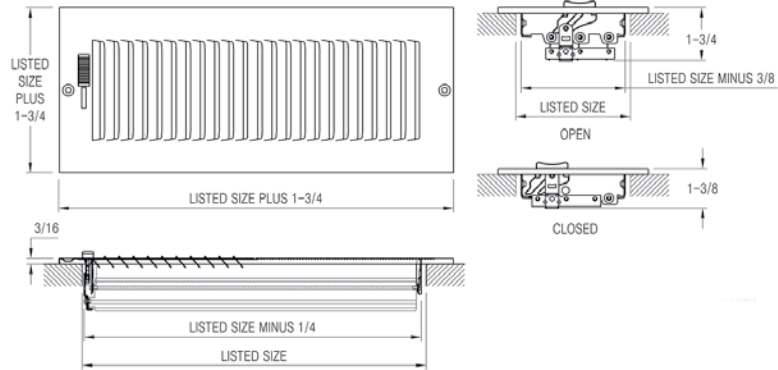




201 - Sidewall/Ceiling 1-Way

- Steel construction
- For sidewall or ceiling application
- One-way air deflection
- 1/2" spaced fins
- One-piece stamped face construction
- White durable finish

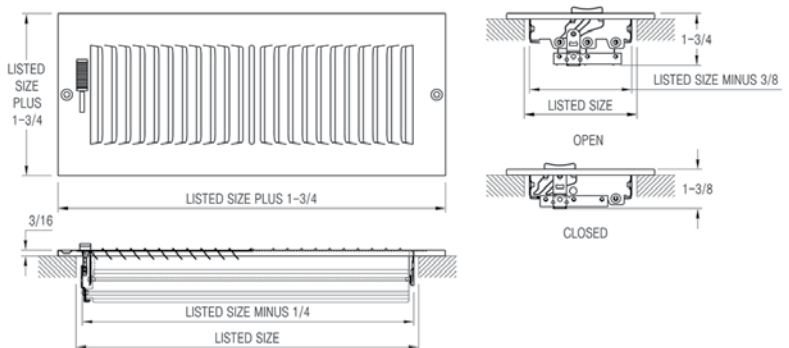
Available Sizes (in inches)					
HEIGHT	WIDTH				
	8	10	12	14	16
4	●				
6	●	●	●	●	●
8				●	



202 - Sidewall/Ceiling 2-Way

- Steel construction
- For sidewall or ceiling application
- Two-way air deflection
- 1/2" spaced fins
- One-piece stamped face construction
- White durable finish

Available Sizes (in inches)									
HEIGHT	WIDTH								
	6	8	10	12	14	16	18	20	24
4	●	●	●	●	●	●			
5			●	●					
6	●	●	●	●	●	●	●	●	●
8		●	●	●	●	●	●	●	●
10			●	●	●				
12				●					

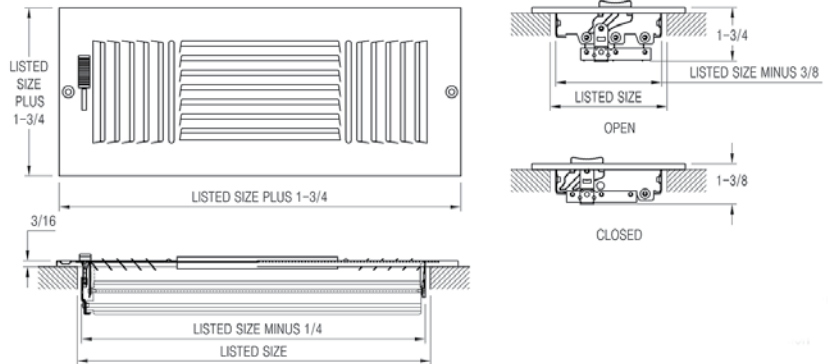




203 - Sidewall/Ceiling 3-Way

- Steel construction
- For sidewall or ceiling application
- Three-way air deflection
- 1/2" spaced fins
- One-piece stamped face construction
- White durable finish

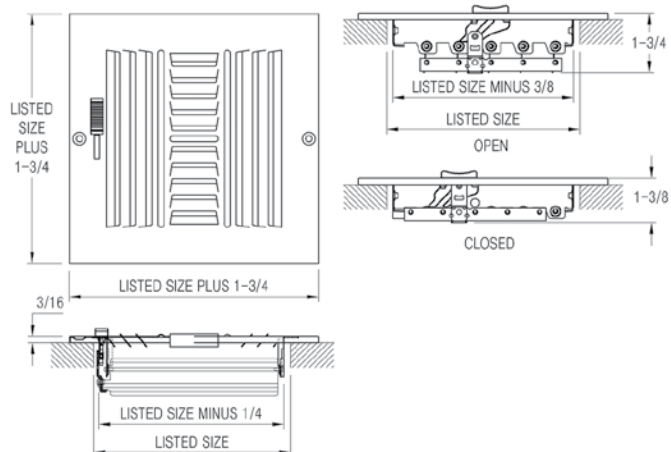
Available Sizes (in inches)						
HEIGHT	WIDTH					
	6	8	10	12	14	16
4		●	●	●	●	
6	●	●	●	●	●	●
8		●	●	●	●	●
10			●		●	
12				●		
14					●	
16						●



204 - Sidewall/Ceiling 4-Way

- Steel construction
- For sidewall or ceiling application
- Four-way air deflection
- 1/2" spaced fins
- One-piece stamped face construction
- White durable finish

Available Sizes (in inches)							
HEIGHT	WIDTH						
	6	8	10	12	14	16	18
4							
6	●						
8		●					
10			●				
12				●			
14					●		
16						●	
18							●

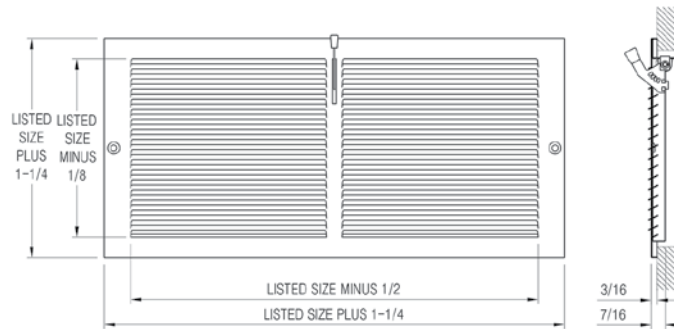




221 - Sidewall Register with Damper

- Steel construction
- For sidewall application
- 1/3" Spaced fins
- Volume-control damper
- White durable finish

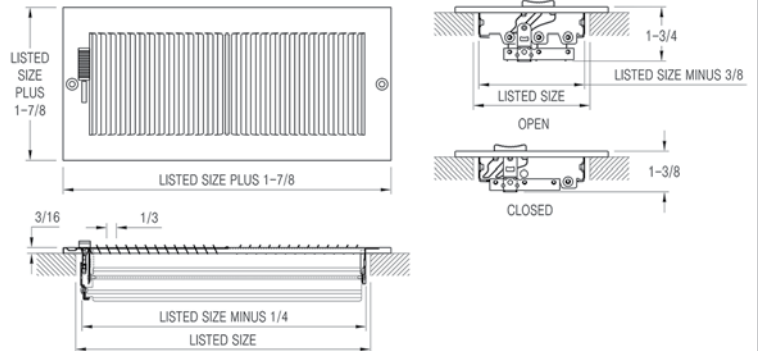
Available Sizes (in inches)		
HEIGHT	WIDTH	
6	12	14

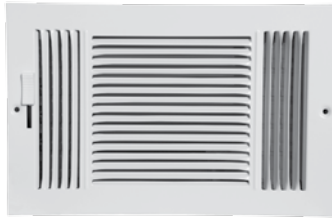


222 - Sidewall/Ceiling Register 2-Way

- Steel construction
- For sidewall or ceiling application
- Two-way air deflection
- 1/3" Spaced fins
- One-piece stamped face construction
- White durable finish

Available Sizes (in inches)									
HEIGHT	WIDTH								
	6	8	10	12	14	16	20	24	30
4	•	•	•	•	•				
5			•	•					
6	•	•	•	•	•	•	•	•	•
8		•	•	•	•	•	•		•
10				•					
12				•	•				

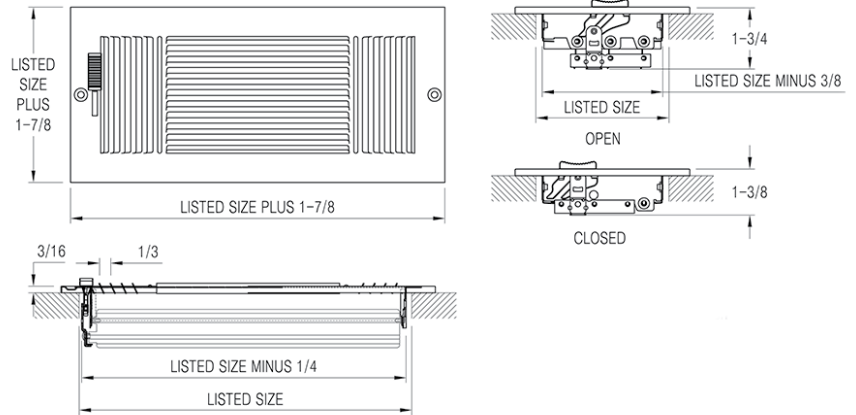




223 - Sidewall/Ceiling Register 3-Way

- Steel construction
- For sidewall or ceiling application
- Three-way air deflection
- 1/3" Spaced fins
- One-piece stamped face construction
- White durable finish

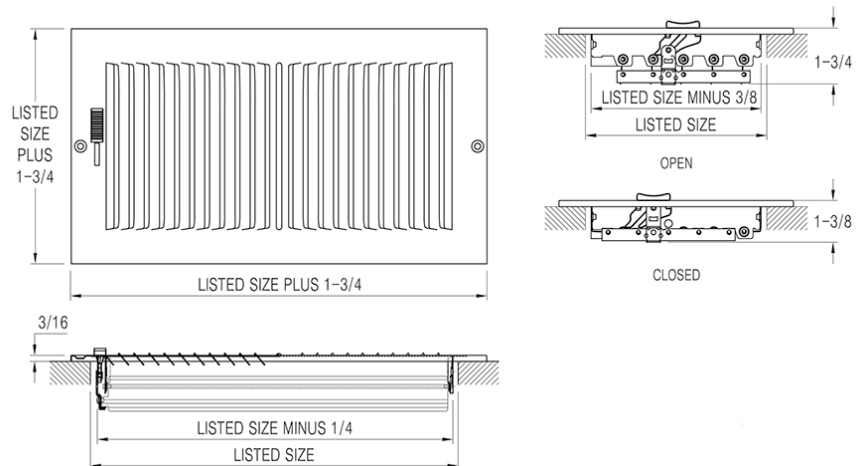
Available Sizes (in inches)				
HEIGHT	WIDTH			
	8	10	12	14
4	●	●	●	
6		●	●	●
8			●	●



230 - Aluminum Sidewall/Ceiling Register 2-Way

- Stamped aluminum construction
- For sidewall or ceiling application
- Two-way air deflection
- 1/2" Spaced fins
- One-piece stamped face construction
- White durable finish

Available Sizes (in inches)			
HEIGHT	WIDTH		
	10	12	14
6	●	●	●

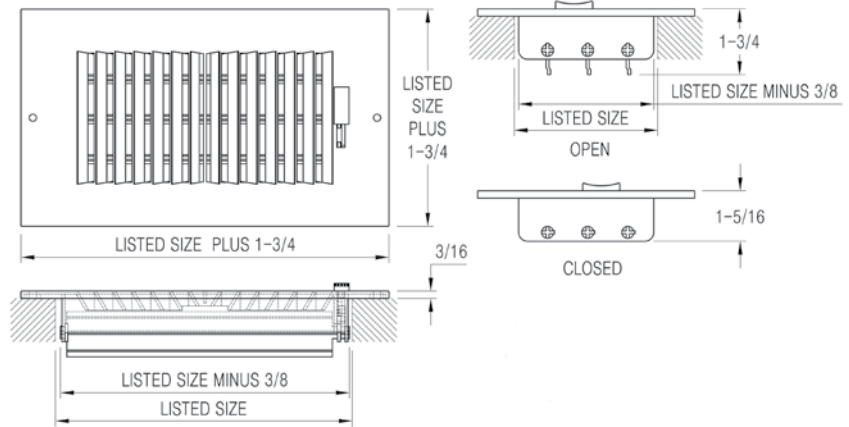




252 - Plastic Sidewall/Ceiling Register 2-Way

- Plastic construction
- For sidewall or ceiling application
- Two-way air deflection
- 1/2" Spaced fins
- White durable finish

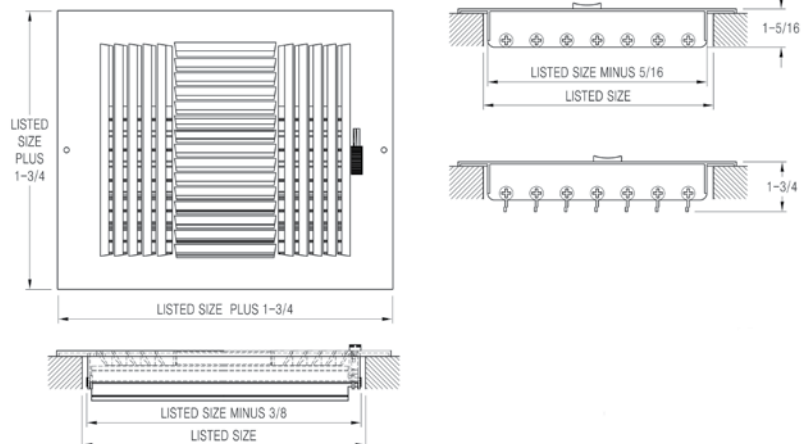
Available Sizes (in inches)					
HEIGHT	WIDTH				
	6	8	10	12	14
4		●			
6	●			●	●
8			●		●



253 - Plastic Sidewall/Ceiling Register 3-Way

- Plastic construction
- For sidewall or ceiling application
- Three-way air deflection
- 1/2" Spaced fins
- White durable finish

Available Sizes (in inches)				
HEIGHT	WIDTH			
	8	10	12	14
4	●			
6		●	●	
8		●		●

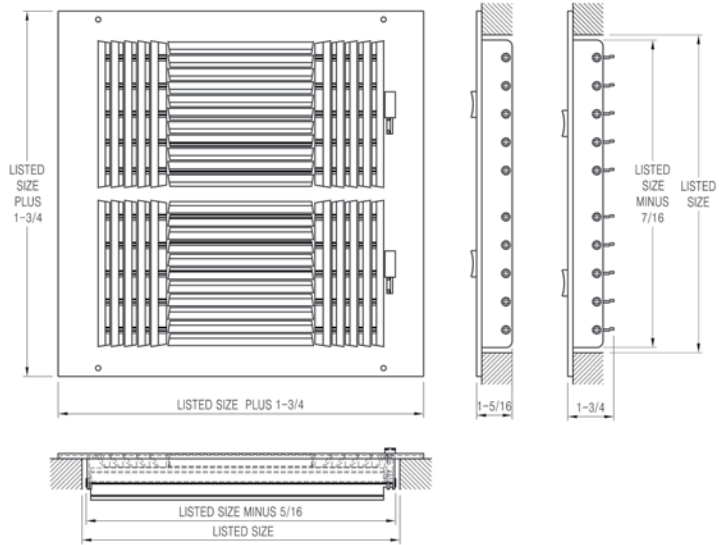




254 - Plastic Sidewall/Ceiling Register 4-Way

- Plastic construction
- For sidewall or ceiling application
- Four-way air deflection
- 1/2" Spaced fins
- White durable finish

Available Sizes (in inches)				
HEIGHT	WIDTH			
	6	8	10	12
6	●			
8		●		
10			●	
12				●

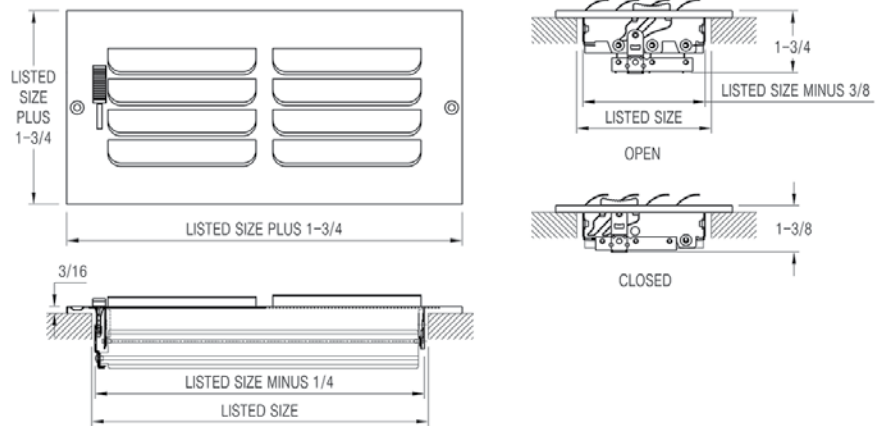




261 - Sidewall/Ceiling Register 1-Way Curved Blade

- Steel construction
- For sidewall or ceiling application
- One-way air deflection
- Curved blade
- One-piece stamped face construction
- White durable finish

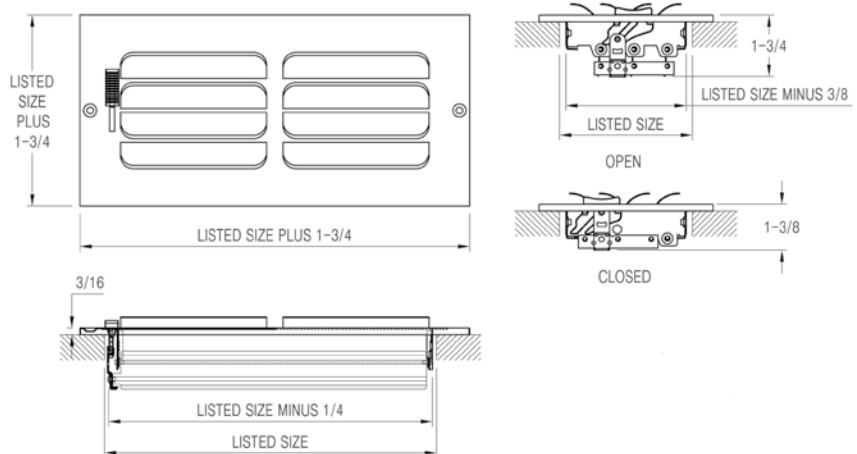
Available Sizes (in inches)					
HEIGHT	WIDTH				
	6	8	10	12	14
4		•	•	•	•
6	•		•	•	•
8		•	•	•	•
12				•	



262 - Sidewall/Ceiling Register 2-Way Curved Blade

- Steel construction
- For sidewall or ceiling application
- Two-way air deflection
- Curved blade
- One-piece stamped face construction
- White durable finish

Available Sizes (in inches)				
HEIGHT	WIDTH			
	8	10	12	14
4	•			
6		•	•	•
8			•	
10		•		
12			•	

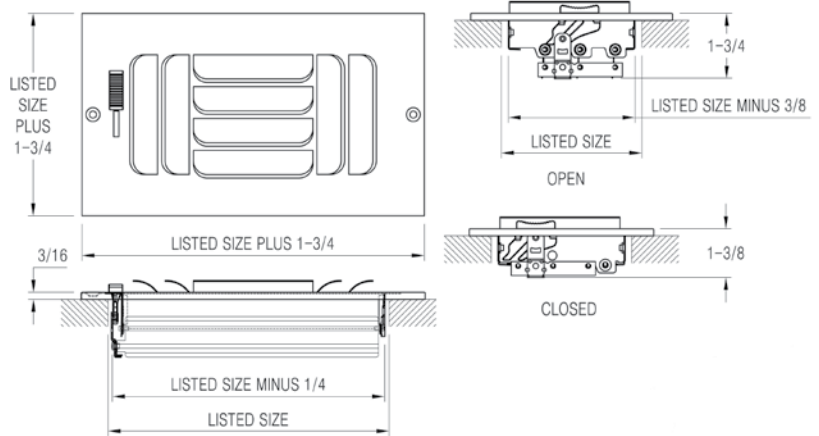




263 - Sidewall/Ceiling Register 3-Way Curved Blade

- Steel construction
- For sidewall or ceiling application
- Three-way air deflection
- Curved blade
- One-piece stamped face construction
- White durable finish

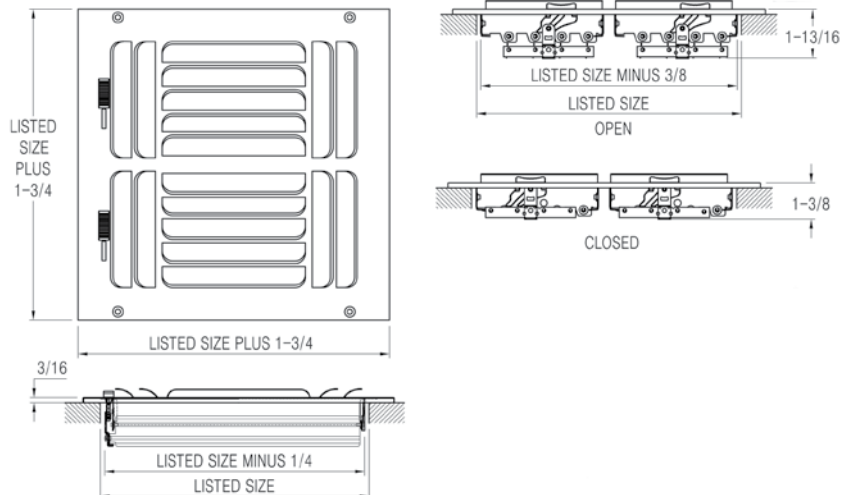
Available Sizes (in inches)					
HEIGHT	WIDTH				
	6	8	10	12	14
4		●	●	●	●
6	●	●	●	●	●
8		●	●	●	●
10			●		
12				●	



264 - Sidewall/Ceiling Register 4-Way Curved Blade

- Steel construction
- For sidewall or ceiling application
- Four-way air deflection
- Curved blade
- One-piece stamped face construction
- White durable finish

Available Sizes (in inches)					
HEIGHT	WIDTH				
	6	8	10	12	14
6	●				
8		●			
10			●		
12				●	
14					●

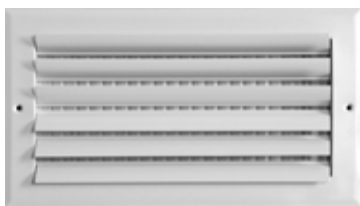
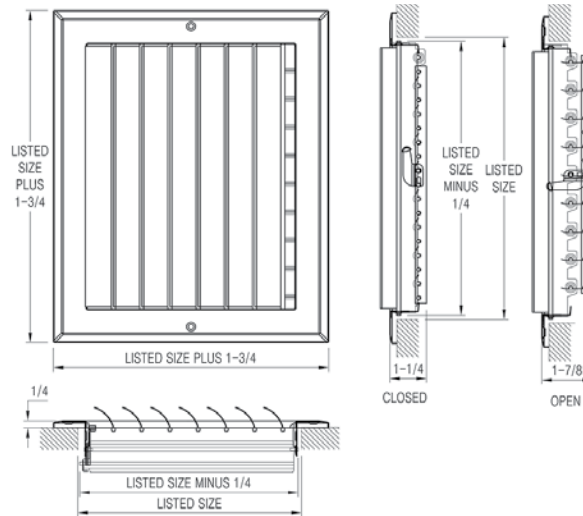




281 - Aluminum Sidewall/Ceiling Register 1-Way Adjustable Curved Blade

- Stamped aluminum construction
- For sidewall or ceiling application
- One-way air deflection
- Individually adjustable curved blades
- Multi-shutter damper
- White durable finish

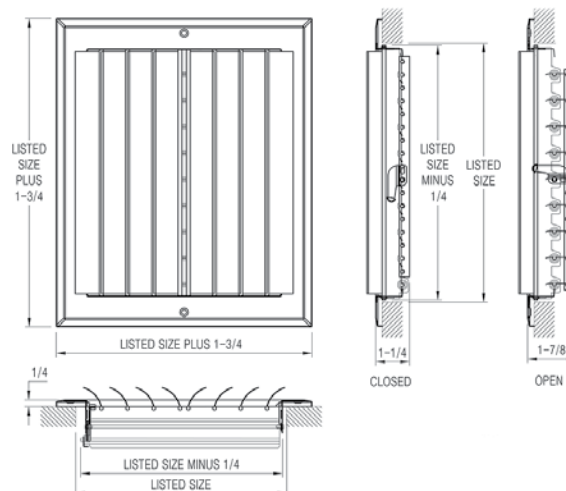
Available Sizes (in inches)					
HEIGHT	WIDTH				
	6	8	10	12	14
4		●	●	●	●
6	●	●	●	●	●
8		●	●	●	●
10			●		
12				●	
14					●



282 - Aluminum Sidewall/Ceiling Register 2-Way Adjustable Curved Blade

- Stamped aluminum construction
- For sidewall or ceiling application
- Two-way air deflection
- Individually adjustable curved blades
- Multi-shutter damper
- White durable finish

Available Sizes (in inches)				
HEIGHT	WIDTH			
	8	10	12	14
6		●	●	●
8	●	●	●	●
10		●		
12			●	

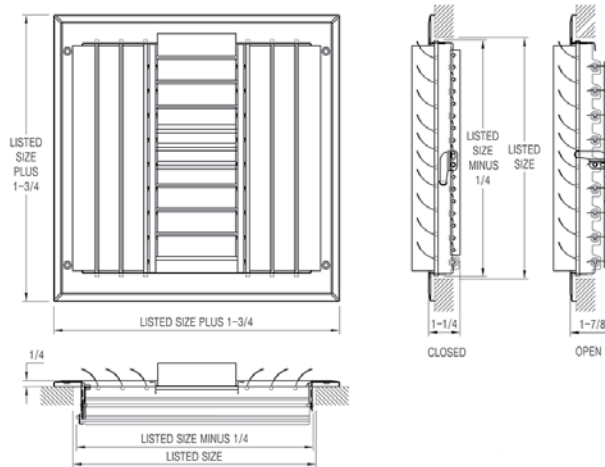




283 - Aluminum Sidewall/Ceiling Register 3-Way Adjustable Curved Blade

- Stamped aluminum construction
- For sidewall or ceiling application
- Three-way air deflection
- Individually adjustable curved blades
- Multi-shutter damper
- White durable finish

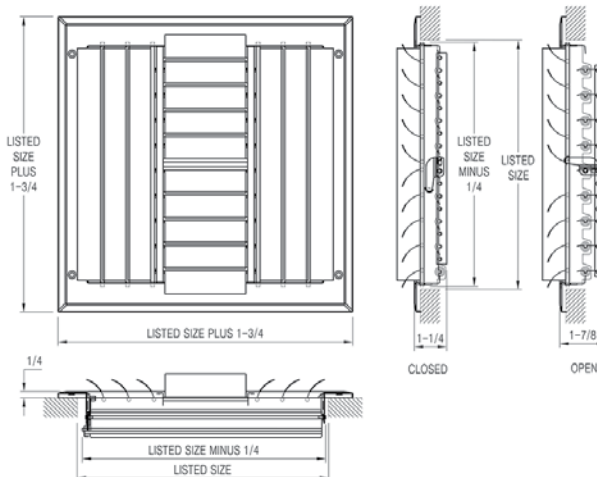
Available Sizes (in inches)					
HEIGHT	WIDTH				
	6	8	10	12	14
4		●	●		●
6	●	●	●	●	●
8		●		●	●
10			●		
12				●	
14					●

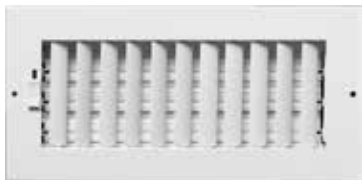


284 - Aluminum Sidewall/Ceiling Register 4-Way Adjustable Curved Blade

- Stamped aluminum construction
- For sidewall or ceiling application
- Four-way air deflection
- Individually adjustable curved blades
- Multi-shutter damper
- White durable finish

Available Sizes (in inches)						
HEIGHT	WIDTH					
	6	8	10	12	14	16
6	●					
8		●				
10			●			
12				●		
14					●	
16						●

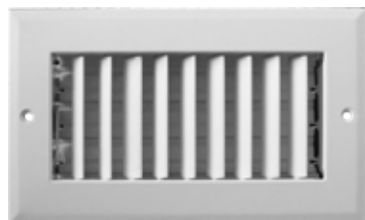
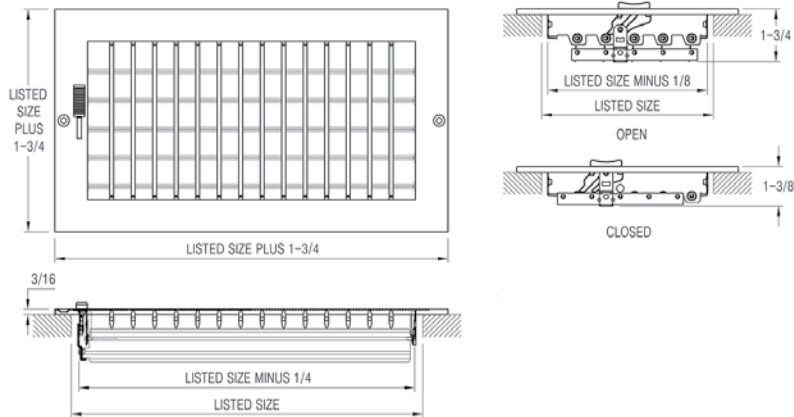




260 - Sidewall/Ceiling Register Adjustable Blades

- Steel construction with aluminum, adjustable blades
- For sidewall or ceiling application
- Individual deflection control
- White durable finish

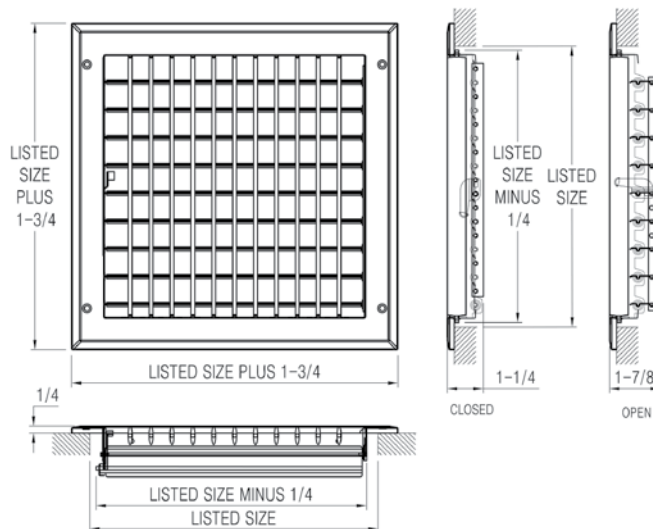
Available Sizes (in inches)						
HEIGHT	WIDTH					
	6	8	10	12	14	16
4		●	●	●	●	
6	●		●	●	●	●
8		●	●	●	●	
10			●			
12				●		



270 - Aluminum Sidewall/Ceiling Register Adjustable Straight Fin

- Aluminum faceplate construction
- For sidewall or ceiling application
- Individually adjustable straight fins
- Multi-shutter damper
- White durable finish

Available Sizes (in inches)											
HEIGHT	WIDTH										
	6	8	10	12	14	16	18	20	24	28	30
4		●	●	●	●	●		●	●		
6	●	●	●	●	●	●	●	●	●	●	●
8		●	●	●	●	●	●	●	●	●	●
10			●		●	●	●	●	●	●	●
12				●			●		●		
14					●				●		
16						●					
18							●				
20								●			

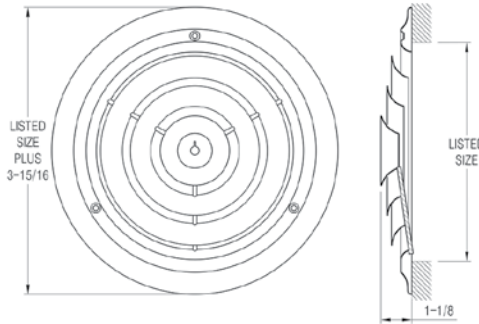




Available Sizes (in inches)				
Diameter				
6	8	10	12	14
●	●	●	●	●

300 - Round Ceiling Diffuser

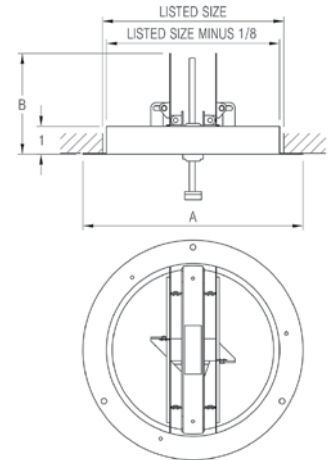
- Steel construction
- Step-down diffuser rings
- 360° air diffusion
- Accepts model 301 ceiling damper
- White durable finish



Available Sizes (in inches)				
Diameter				
6	8	10	12	14
●	●	●	●	●

301 - Round Duct Ring with Butterfly Damper

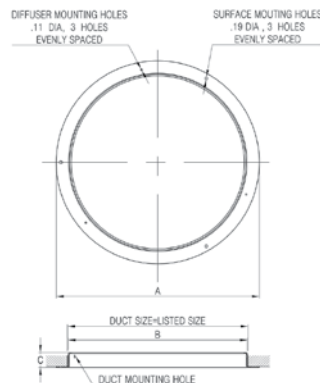
- Steel construction
- Removable handle for adjustment
- Controls air volume for model 300 ceiling damper
- Brown durable finish



Available Sizes (in inches)				
Diameter				
6	8	10	12	14
●	●	●	●	●

344 - Duct Ring

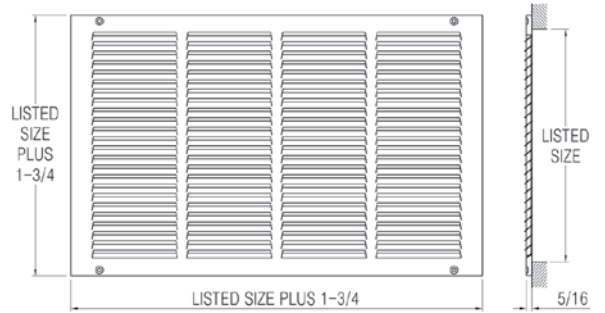
- Steel construction
- For installation of model 300 round ceiling diffuser





500 - Return Air Grille

- Steel construction
- For sidewall or ceiling application
- 1/2" Spaced fins
- White durable finish

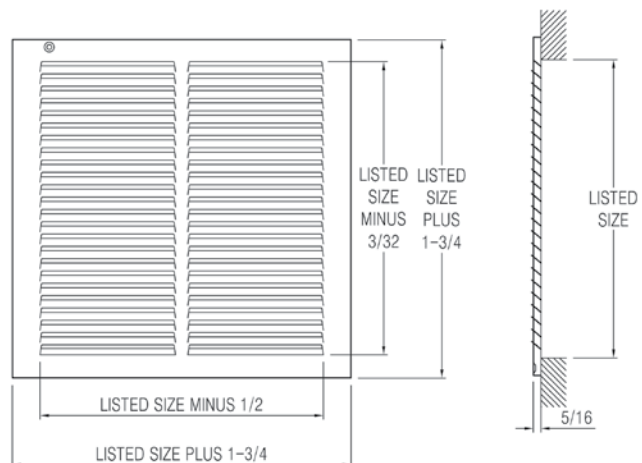


Available Sizes (in inches)													
HEIGHT	WIDTH												
	6	8	10	12	14	16	18	20	24	25	26	30	36
4	•	•	•	•	•		•		•				•
6	•	•	•	•	•	•	•	•	•				•
8		•	•	•	•	•	•	•	•				•
10			•	•	•	•	•	•	•		•	•	•
12		•		•	•	•	•	•	•			•	•
14		•	•	•	•	•	•	•	•	•	•	•	•
16			•	•	•	•	•	•	•	•		•	•
18				•	•		•	•	•	•		•	
20			•	•	•	•		•	•	•		•	
24			•	•	•	•	•	•	•			•	•
25					•	•		•					
30				•	•	•	•	•	•			•	
36									•				

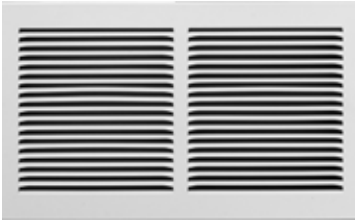


505 - Return Air Grille

- Aluminum construction
- For sidewall or ceiling application
- 1/2" Spaced fins
- White durable finish



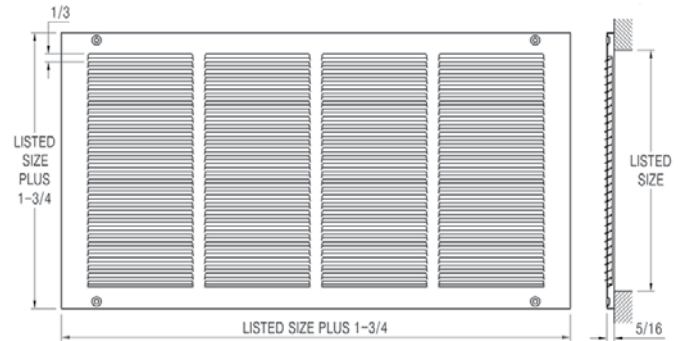
Available Sizes (in inches)						
HEIGHT	WIDTH					
	6	8	10	12	14	16
6	•				•	
8		•			•	•
10			•		•	
12				•		



515 - Return Air Grille

- Steel construction
- For sidewall or ceiling application
- 1/3" Spaced fins
- White durable finish

Available Sizes (in inches)											
HEIGHT	WIDTH										
	6	8	10	12	14	16	18	20	24	30	36
4	•	•	•	•	•	•			•	•	
6	•	•	•	•	•	•	•	•	•	•	•
8		•	•	•	•	•	•	•	•	•	•
10			•	•	•	•	•	•		•	
12				•	•	•	•	•	•	•	•
14	•	•	•	•	•	•		•	•	•	
16				•	•	•	•	•	•	•	
18							•	•	•	•	
20			•	•	•	•		•	•	•	
24			•	•	•	•	•	•	•	•	
25								•			
30					•			•	•	•	
36											•



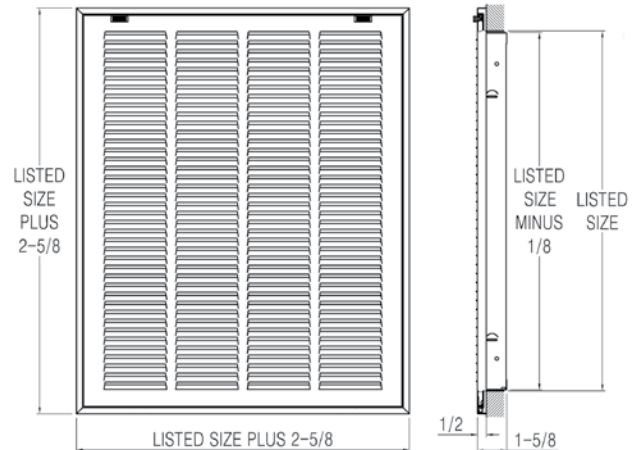
RESIDENTIAL



520 - Return Air Filter Grille

- Steel construction
- 1/2" Spaced bars
- Removable hinged face for easy installation and cleaning
- Uses nominal 1" thick filters (not included)
- White durable finish

Available Sizes (in inches)													
HEIGHT	WIDTH												
	10	12	14	16	18	20	22	24	25	30	32	36	40
6	•	•	•					•		•			
8			•		•	•		•		•			
10	•		•			•		•		•			
12		•	•	•	•	•		•	•	•		•	
14			•			•		•	•	•			
16			•	•		•		•	•	•			
18		•			•	•		•		•		•	
20	•	•	•	•		•		•	•	•			•
22							•						
24		•	•	•	•	•		•		•			
25			•	•		•			•	•	•		
30		•	•	•	•	•		•	•	•			
32				•					•				
36		•		•		•		•					
40						•							

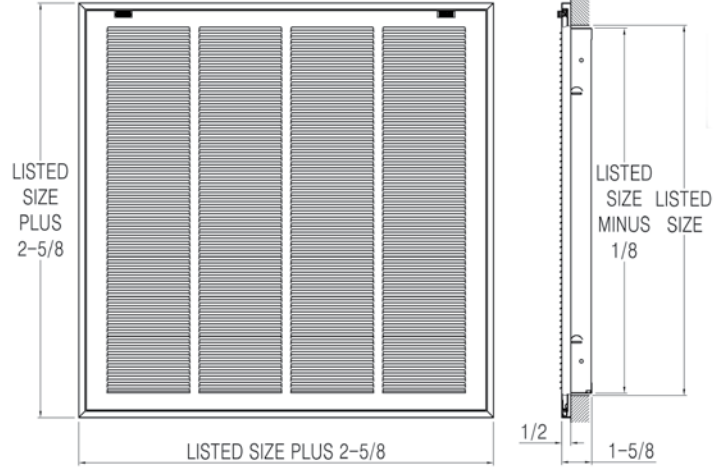




525 - Return Air Filter Grille

- Steel construction
- 1/3" Spaced bars
- Removable hinged face for easy installation and cleaning
- Uses nominal 1" thick filters (not included)
- White durable finish

Available Sizes (in inches)									
HEIGHT	WIDTH								
	10	12	14	16	18	20	24	25	30
6			•						
8			•				•		
10	•					•	•		•
12		•				•	•		
14			•			•	•	•	•
16				•		•	•	•	
18					•				•
20	•	•	•	•		•	•	•	•
24		•	•			•	•		•
25			•	•		•		•	
30						•	•		•



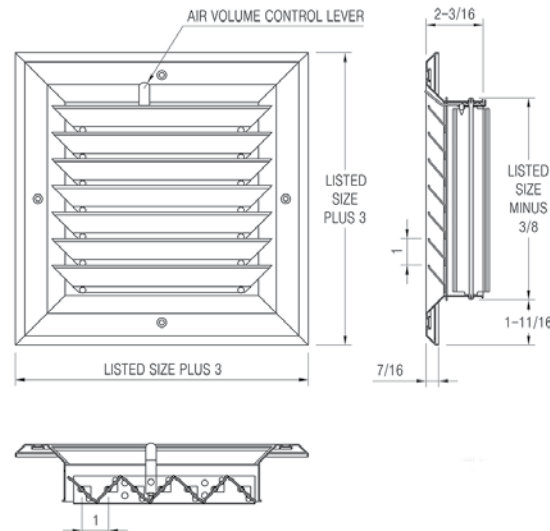
LIGHT COMMERCIAL



481 - Aluminum Square Ceiling Diffuser 1-Way

- Extruded aluminum construction
- One-way air deflection
- Opposed blade-damper
- Lever for air control
- White durable finish

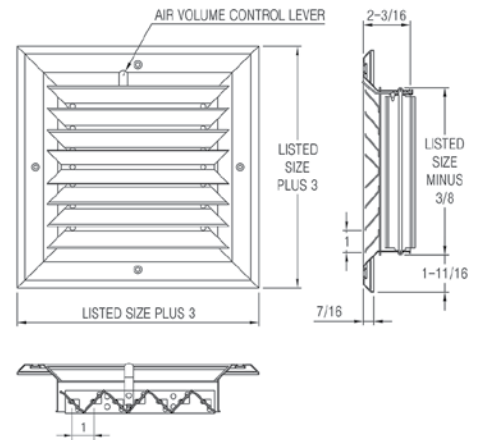
Available Sizes (in inches)					
HEIGHT	WIDTH				
	6	8	10	12	14
6	•				
8		•			
10			•		
12				•	
14					•





482 - Aluminum Square Ceiling Diffuser 2-Way

- Extruded aluminum construction
- Two-way air deflection
- Opposed blade-damper
- Lever for air control
- White durable finish

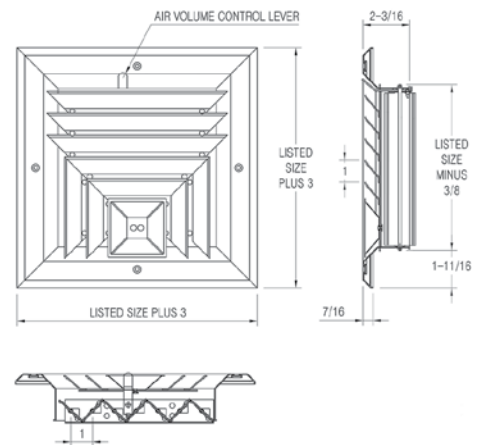


Available Sizes (in inches)					
HEIGHT	WIDTH				
	6	8	10	12	14
6	●				
8		●			
10			●		
12				●	
14					●



483 - Aluminum Square Ceiling Diffuser 3-Way

- Extruded aluminum construction
- Three-way air deflection
- Opposed blade-damper
- Lever for air control
- White durable finish

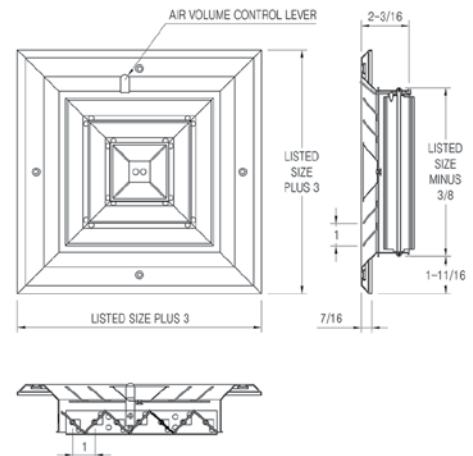


Available Sizes (in inches)					
HEIGHT	WIDTH				
	6	8	10	12	14
6	●				
8		●			
10			●		
12				●	
14					●



484 - Aluminum Square Ceiling Diffuser 4-Way

- Extruded aluminum construction
- Four-way air diffusion
- Opposed blade-damper
- Lever for air control
- White durable finish

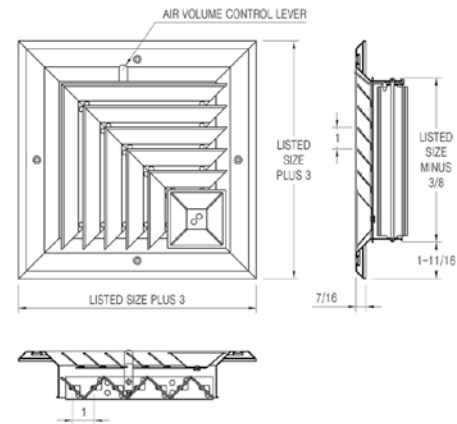


Available Sizes (in inches)					
HEIGHT	WIDTH				
	6	8	10	12	14
6	●				
8		●			
10			●		
12				●	
14					●



485 - Aluminum Square Ceiling Diffuser 2-Way Corner

- Extruded aluminum construction
- Two-way corner air diffusion
- Opposed blade-damper
- Lever for air control
- White durable finish

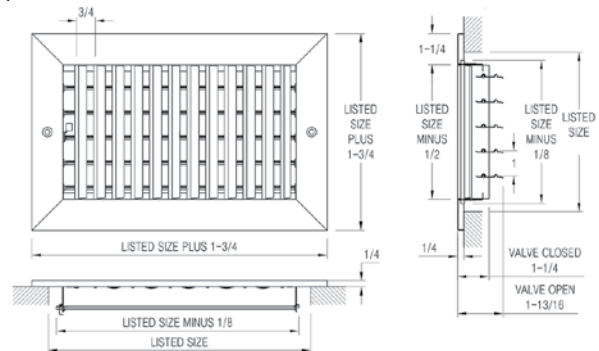


Available Sizes (in inches)					
HEIGHT	WIDTH				
	6	8	10	12	14
6	●				
8		●			
10			●		
12				●	
14					●

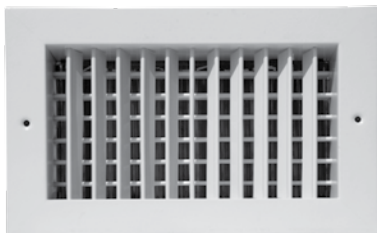


411 - Vertical Single Deflection Supply with Multi-Shutter Damper

- Steel construction
- For sidewall or ceiling application
- Vertical, adjustable face bars
- Multi-shutter damper
- White durable finish

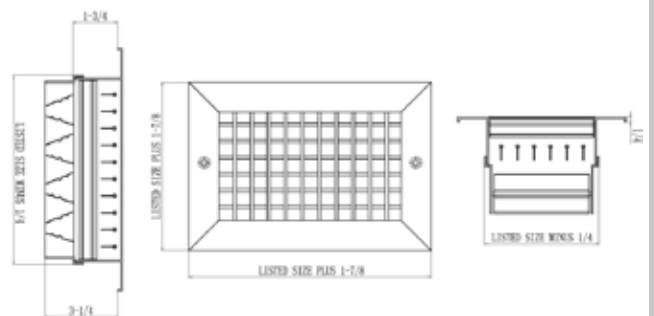


Available Sizes (in inches)												
HEIGHT	WIDTH											
	6	8	10	12	14	16	18	20	24	30	36	
4		●	●	●	●	●					●	
6	●	●	●	●	●	●	●	●	●	●		
8		●		●	●		●	●	●	●		
10			●	●	●		●	●	●	●		
12				●	●		●	●	●	●		
14					●			●				
16						●						
18							●					
20								●				
24									●			
25										●		



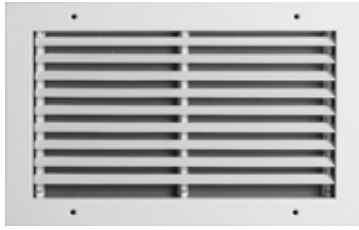
415 - Double Deflection Register

- Extruded aluminum construction
- Double rows of individually adjustable bars
- Vertical front bars & horizontal back bars
- Steel opposed-blade damper
- White durable finish



Available Sizes (in inches)	
HEIGHT	WIDTH
	6 8
6	●
8	●

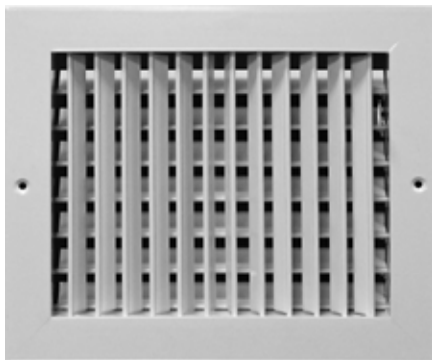
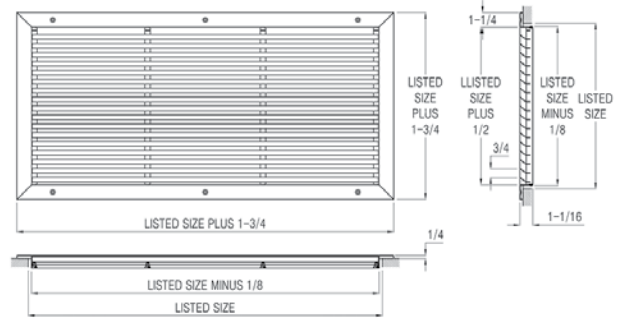
LIGHT COMMERCIAL



422 - Horizontal Return Grille

- Steel construction
- Horizontal face bars angled at 35°
- White durable finish

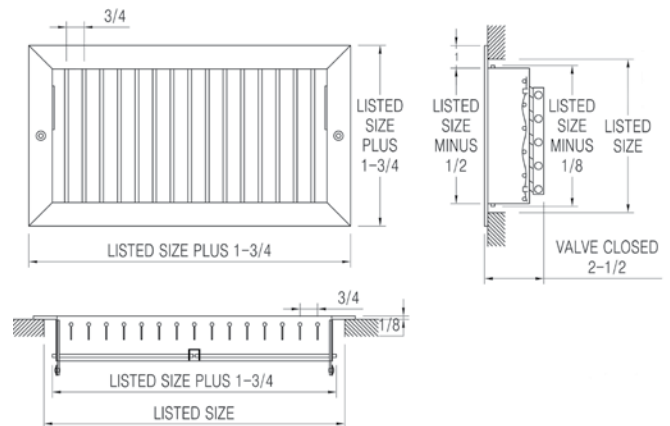
Available Sizes (in inches)												
HEIGHT	WIDTH											
	6	8	10	12	14	16	18	20	24	25	30	36
6	•		•	•	•			•			•	
8		•		•	•	•		•	•		•	
10			•		•			•	•		•	
12				•				•	•		•	•
14					•			•	•		•	•
16						•		•	•		•	
18							•					
20								•	•	•	•	
24									•		•	
25								•				
30											•	

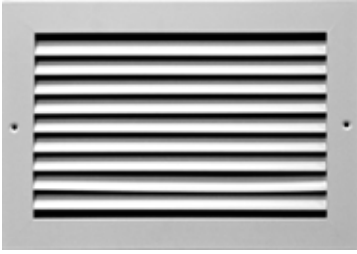


455 - Aluminum Vertical Single Deflection Supply

- Extruded aluminum construction
- Vertical, adjustable face bars
- Multi-shutter damper
- White durable finish

Available Sizes (in inches)									
HEIGHT	WIDTH								
	8	10	12	14	16	18	20	24	30
4	•	•	•	•	•		•		•
5		•	•	•			•		
6		•	•	•	•	•	•	•	
8		•	•	•	•	•	•	•	
10		•		•			•	•	
12			•				•	•	•
14				•					

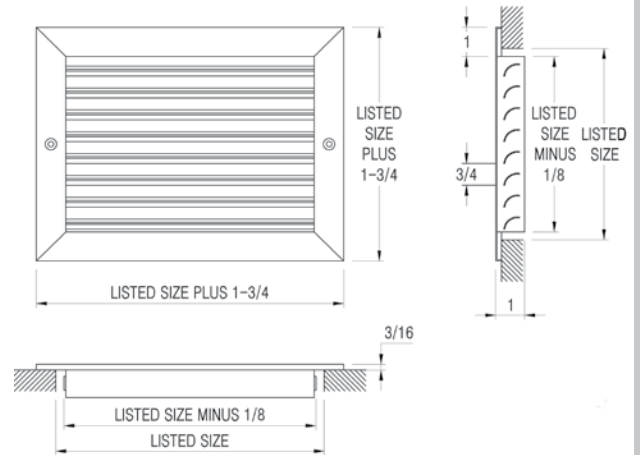




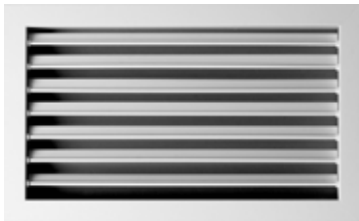
600 – Aluminum Horizontal Grille

- Extruded aluminum construction
- Fixed horizontal curved blades
- White durable finish

Available Sizes (in inches)													
HEIGHT	WIDTH												
	6	8	10	12	14	16	18	20	22	24	25	30	36
6	•		•	•	•	•							
8		•		•	•					•			•
10			•							•			
12				•		•				•			
14					•			•	•	•			
16						•		•				•	
18						•	•	•	•	•		•	•
20							•	•	•	•	•	•	
22								•					
24					•		•	•		•			•
25					•								
28								•					
30								•					



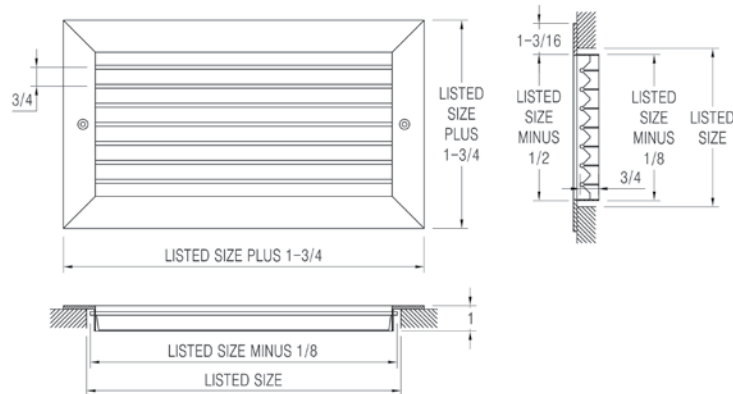
LIGHT COMMERCIAL



441 - Aluminum Horizontal Single Deflection Grille

- Extruded aluminum construction
- Horizontal row of individually adjustable bars
- White durable finish

Available Sizes (in inches)						
HEIGHT	WIDTH					
	12	14	16	20	24	42
12	•	•		•		
14			•			
18					•	
42						•

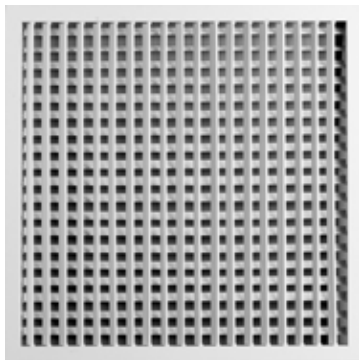
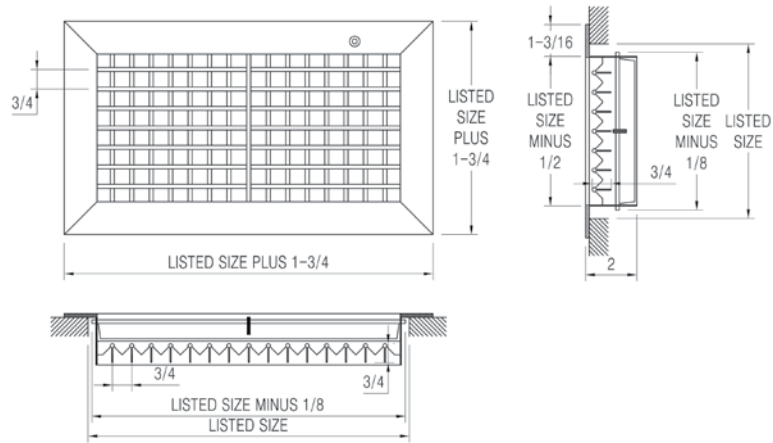




444 - Aluminum Double Deflection Horizontal and Vertical Grille

- Extruded aluminum construction
- Double rows of individual, adjustable bars
- Horizontal backbars & vertical front bars
- White durable finish

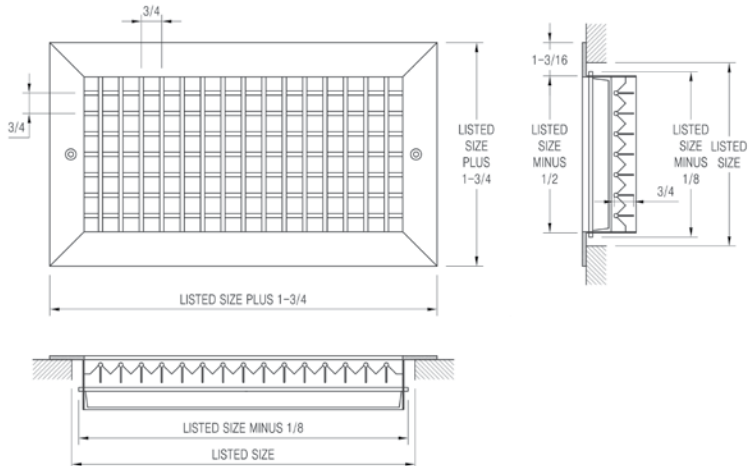
Available Sizes (in inches)		
HEIGHT	WIDTH	
	16	24 36
5	●	●
12		●



453 - Aluminum Double Deflection Vertical and Horizontal Grille

- Aluminum construction
- Double rows of individual, adjustable bars
- Vertical front bars & horizontal back bars
- White durable finish

Available Sizes (in inches)	
HEIGHT	WIDTH
	24 30
24	●
30	●

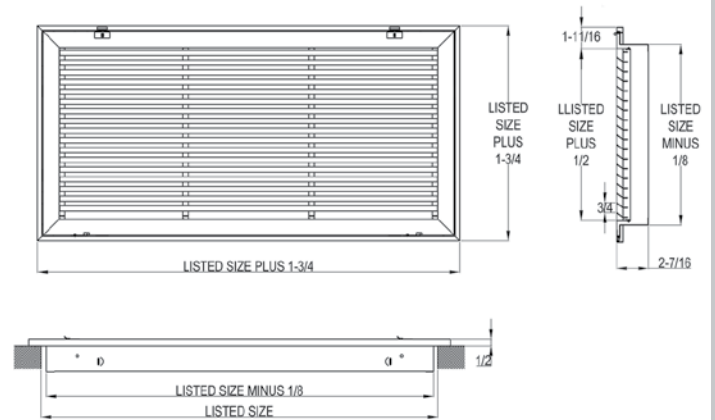




425 - Steel Fixed Bar Filter Grille

- Steel construction
- Removable hinged face for easy installation and cleaning
- Uses nominal 1" thick filters (not included)
- White durable finish

Available Sizes (in inches)											
HEIGHT	WIDTH										
	10	12	14	16	18	20	24	25	30	36	40
10	●					●	●		●		
12		●				●	●	●	●		
14			●			●	●	●	●	●	
16				●	●	●	●	●	●		
18					●				●		
20			●			●	●	●	●		●
24			●				●		●		
25			●	●		●					
30			●			●					



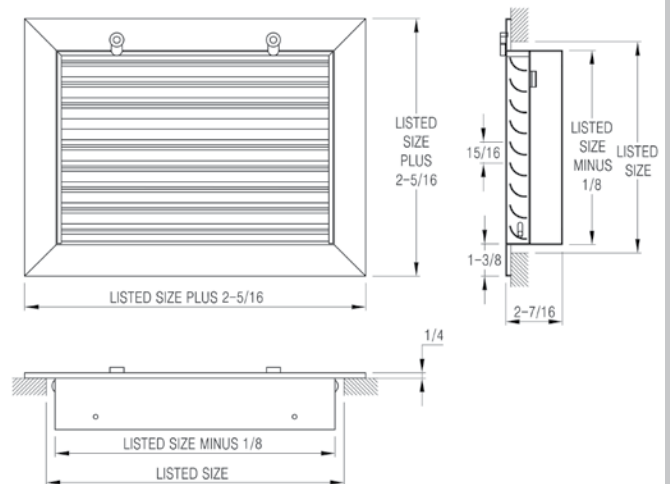
LIGHT COMMERCIAL



605 - Aluminum Horizontal Filter Grille

- Extruded aluminum construction
- Fixed horizontal curved blades
- Uses nominal 1" thick filters (not included)
- White durable finish

Available Sizes (in inches)												
HEIGHT	WIDTH											
	8	10	12	14	16	18	20	24	25	30	36	48
8	●											
10		●						●				
12			●					●		●		
14				●				●		●		
16					●					●		
18						●	●	●		●		
20				●		●	●	●	●	●		
24			●	●		●		●		●	●	●
25							●					
30				●		●	●	●		●		

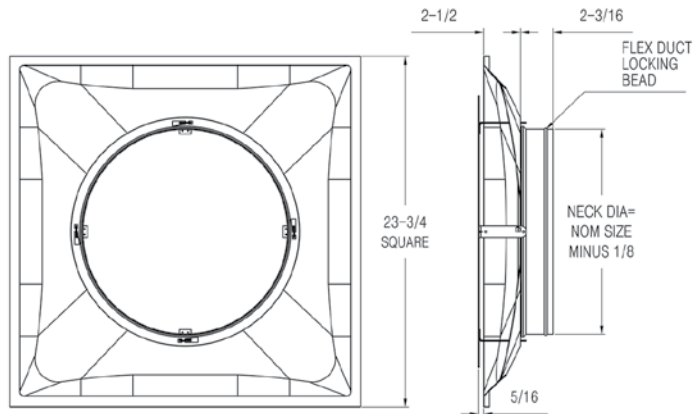




960 - T-Bar Plaque Diffuser with Fixed Collar

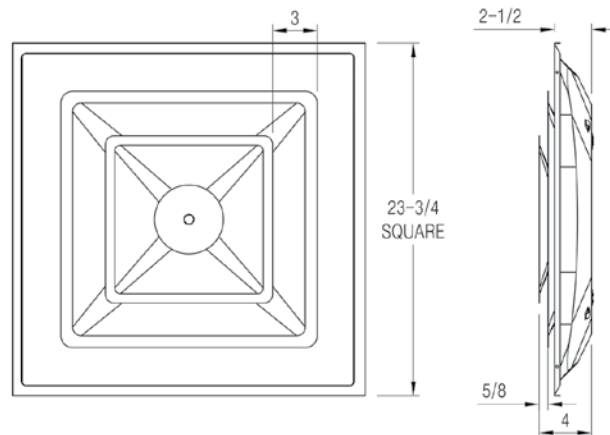
- Steel construction
- Use for T-bar ceiling
- Smooth center plaque
- Hemmed edges for rigidity
- Collar sizes: 6", 8", 10", 12", 14"
- Dual-coating
- White durable finish
- Accepts model 343 butterfly damper

Available Sizes (in inches)				
Diameter				
6	8	10	12	14
●	●	●	●	●



951WI - T-Bar Steel 2-Cone Fixed-Pattern Diffuser with Insulation

- Steel construction
- Use for T-bar ceilings
- Two-cone fixed core
- With insulation
- 360° air deflection
- Accepts model 340 snap-in collar ring (6"-12")
- Overall size 23-3/4"X 23-3/4" (24"X 24" openings)
- White durable finish
- Accepts model 343 butterfly damper

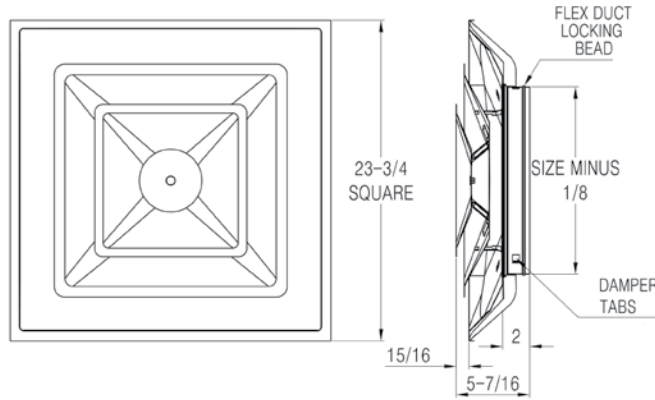




952 - T-Bar Steel 2-Cone Fixed-Pattern Diffuser with Collar

- Steel construction
- Use for T-bar ceiling
- Two-cone fixed core
- 360° air deflection
- Accepts model 343 model butterfly damper
- Overall size 23-3/4"X 23-3/4" (24"X 24" openings)
- See table below for fixed collar sizes
- White durable finish

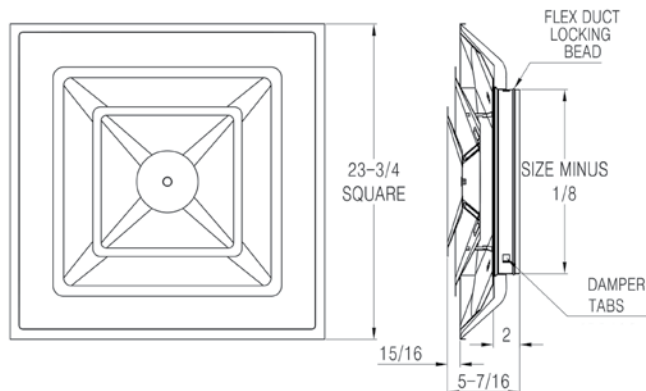
Available Sizes (in inches)				
Diameter				
6	8	10	12	14
●	●	●	●	●



952WI - T-Bar Steel 2-Cone Fixed-Pattern Diffuser with Collar and Insulation

- Steel construction
- Use for T-bar ceiling
- Two-cone fixed core
- With insulation
- 360° air deflection
- Accepts model 343 butterfly damper
- Overall size 23-3/4"X 23-3/4" (24"X 24" openings)
- See table below for fixed collar sizes
- White durable finish

Available Sizes (in inches)				
Diameter				
6	8	10	12	14
●	●	●	●	●





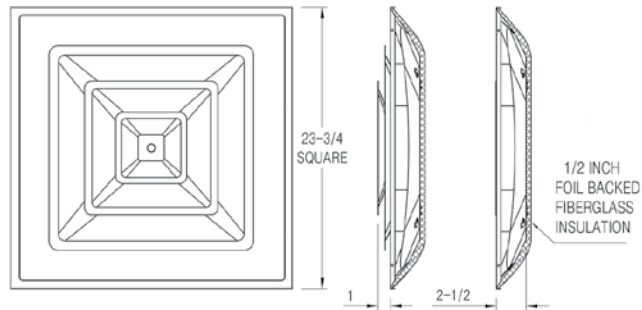
961WI - T-Bar Steel 3-Cone Fixed-Pattern High Volume Diffuser with Insulation

- Steel construction
- Use for T-bar ceiling
- Three-cone fixed core
- With insulation
- 360° air deflection
- Accepts model 340 snap-in collar ring (6" - 12")
- Overall size 23-3/4"X 23-3/4" (24"X 24" openings)
- White durable finish
- Accepts model 343 butterfly damper

Available Sizes (in inches)				
Diameter				
6	8	10	12	14
●	●	●	●	●

96114WI - T-Bar Steel 3-Cone Fixed-Pattern High Volume Diffuser with Insulation and 14" Fixed Collar

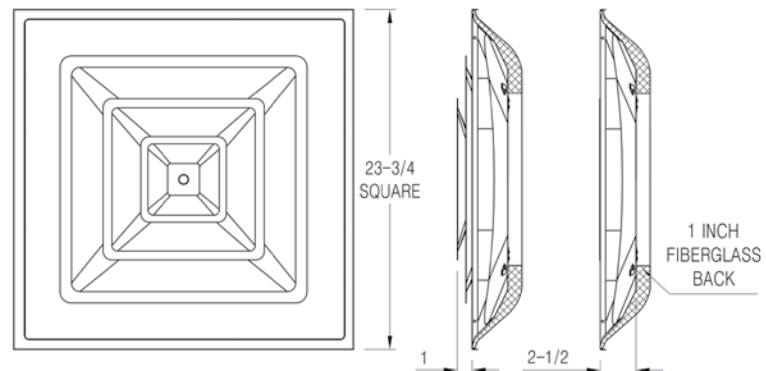
- 14" fixed collar



961R6 - T-Bar Steel 3-Cone Fixed-Pattern High Volume Diffuser with R6 Insulation

- Steel construction
- Use for T-bar ceiling
- Three-cone fixed core
- With R6 insulation
- 360° air deflection
- Overall size 23-3/4"X 23-3/4" (24"X 24" openings)
- White durable finish

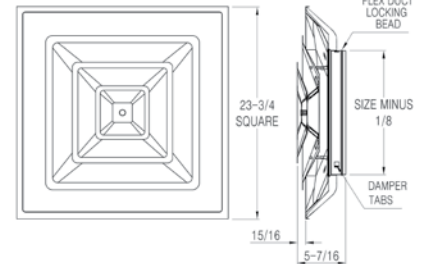
Available Sizes (in inches)				
Diameter				
6	8	10	12	14
●	●	●	●	●





962 - T-Bar Steel 3-Cone Fixed-Pattern Diffuser with Collar

- Steel construction
- Use for T-bar ceiling
- Three-cone fixed core
- 360° air deflection
- Accepts model 343 butterfly damper
- Overall size 23-3/4" X 23-3/4" (24" X 24" openings)
- See table below for fixed collar sizes
- White durable finish

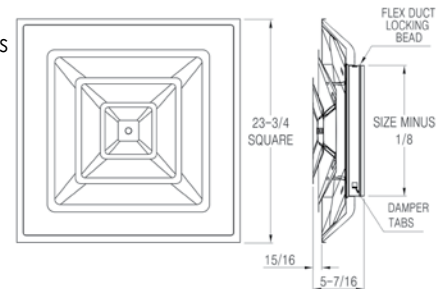


Available Sizes (in inches)				
Diameter				
6	8	10	12	14
●	●	●	●	●



962WI - T-Bar Steel 3-Cone Fixed-Pattern Diffuser with Collar and Insulation

- Steel construction
- Use for T-bar ceiling
- Three-cone fixed core
- With insulation
- 360° air deflection
- Accepts model 343 butterfly damper
- Overall size 23-3/4" X 23-3/4" (24" X 24" openings)
- See table below for fixed collar sizes
- White durable finish

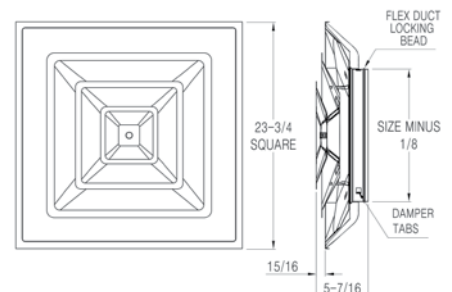


Available Sizes (in inches)				
Diameter				
6	8	10	12	14
●	●	●	●	●



962R6 - T-Bar Steel 3-Cone Fixed-Pattern Diffuser with Collar and R6 Insulation

- Steel construction
- Use for T-bar ceiling
- Three-cone fixed core
- With R6 insulation
- 360° air deflection
- Accepts model 343 butterfly damper
- Overall size 23-3/4" X 23-3/4" (24" X 24" openings)
- See table below for fixed collar sizes
- White durable finish

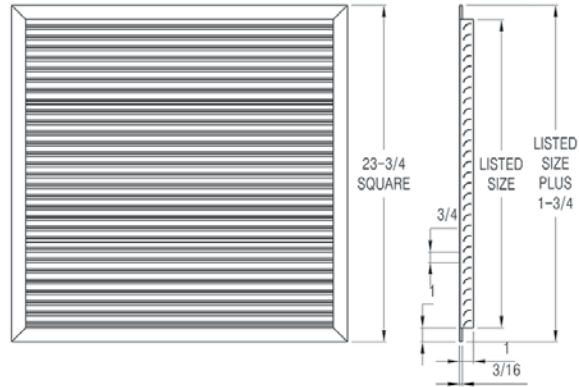


Available Sizes (in inches)				
Diameter				
6	8	10	12	14
●	●	●	●	●



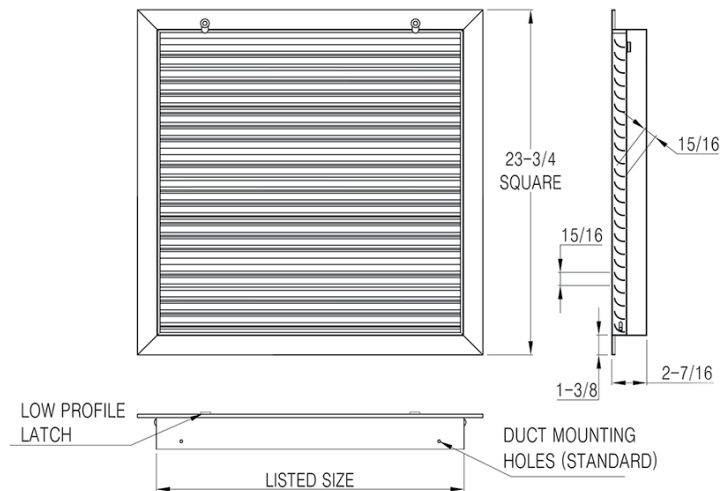
610 - T-Bar Aluminum Return Grille

- Extruded aluminum construction
- Fixed horizontal curved blades
- Grille mounts flush with T-bar ceilings
- Overall size 23-3/4" X 23-3/4" (24" X 24" openings)
- White durable finish



611 - T-Bar Aluminum Return Filter Grille

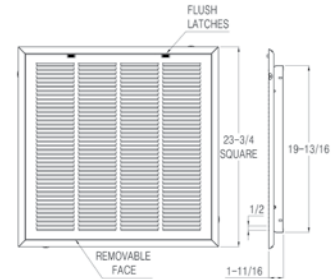
- Extruded aluminum construction
- Fixed horizontal curved blades
- Grille mounts flush with T-bar ceilings
- Uses nominal 1" thick filters (not included)
- Overall size 23-3/4" X 23-3/4" (24" X 24" openings)
- White durable finish





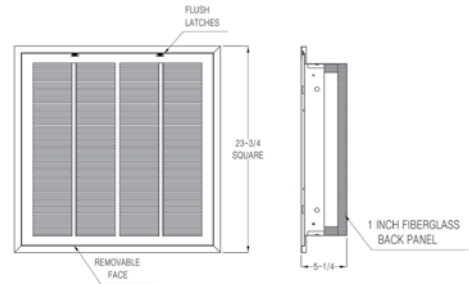
922 - T-Bar Steel Lanced Return Filter Grille

- Steel construction
- Use for T-bar ceiling
- 1/2" spaced fins
- Lanced faceplate
- Removable hinged face for easy installation and cleaning
- Uses nominal 1" thick filters (not included)
- Overall size 23-3/4" x 23-3/4" (24" x 24" openings)
- White durable finish



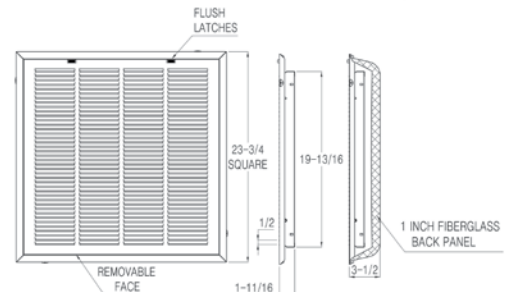
924R6 - T-Bar Deep Filter Frame with R6 Insulation

- Fits standard 24" x 24" T-Bar ceiling
- Accomodates 1", 2" and 4" deep filters
- 1/2" spaced fins
- With R6 insulation
- Fiberglass backpan with 6" - 16" targets
- Eliminates need for shop fabricated transitions for ductwork
- White durable finish



922R6 - T-Bar Lanced Return Filter Grille with R6 Insulation

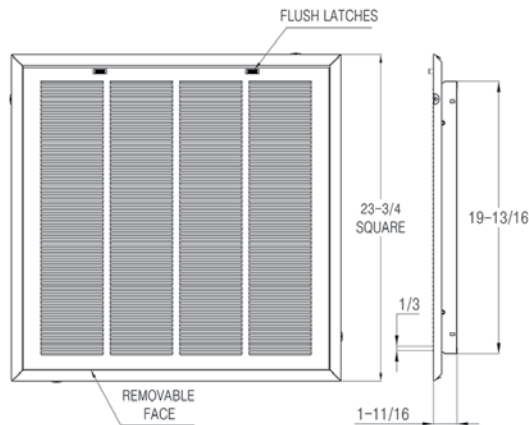
- Steel construction
- Use for T-bar ceiling
- 1/2" spaced fins
- Lanced faceplate
- With R6 insulation
- Removable hinged face for easy installation and cleaning
- Uses nominal 1" thick filters (not included)
- Overall size 23-3/4" x 23-3/4" (24" x 24" openings)
- White durable finish





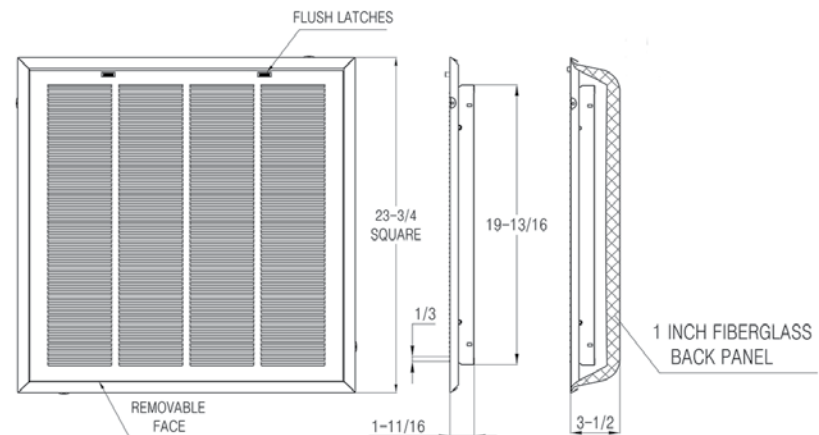
923 - T-Bar Steel Lanced Return Filter Grille

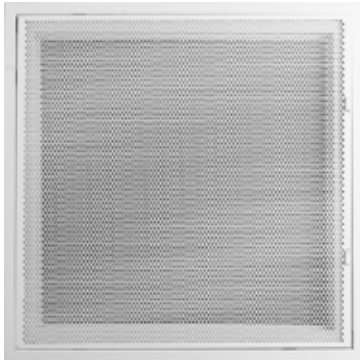
- Steel construction
- Use for T-bar ceilings
- 1/3" Spaced fins
- Lanced faceplate
- Removable hinged face for easy installation and cleaning
- Uses nominal 1" thick filters (not included)
- Overall size 23-3/4"X 23-3/4" (24"X 24" openings)
- White durable finish



923R6 - T-Bar Steel Lanced Return Filter Grille with R6 Insulation

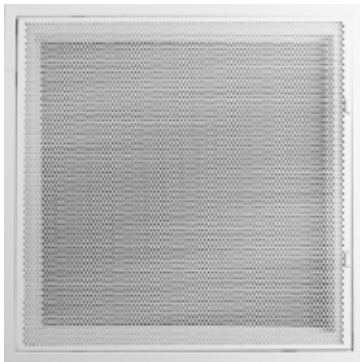
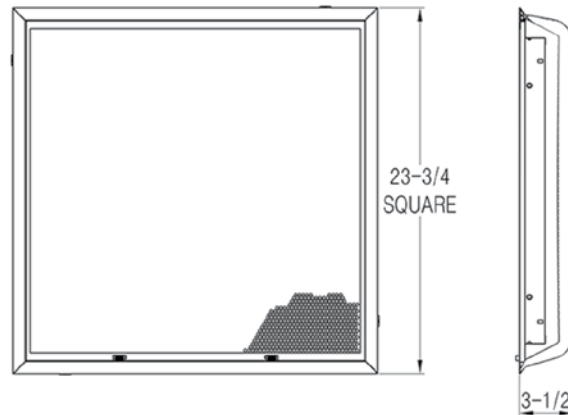
- Steel construction
- Use for T-bar ceilings
- 1/3" Spaced fins
- Lanced faceplate
- With R6 insulation
- Removable hinged face for easy installation and cleaning
- Uses nominal 1" thick filters (not included)
- Overall size 23-3/4"X 23-3/4" (24"X 24" openings)
- White durable finish





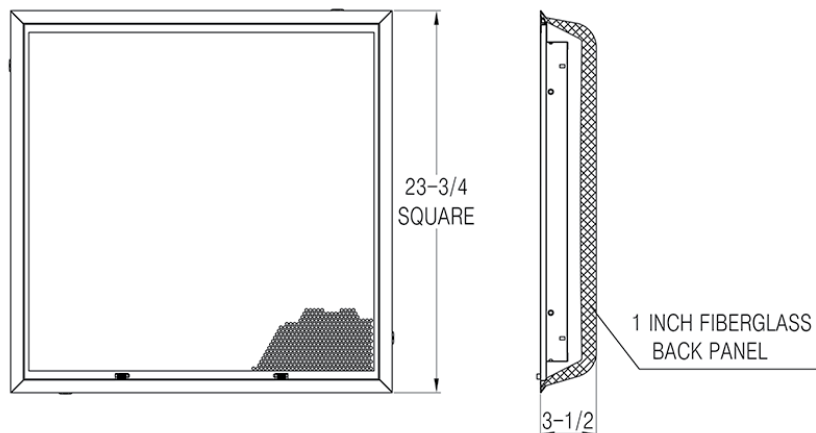
964 - Steel Perforated T-Bar Return Filter Grille

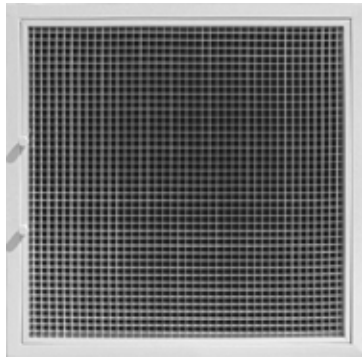
- Steel Construction
- Use for T-bar ceiling
- Perforated faceplate
- Removable hinged face for easy installation and cleaning
- Uses nominal 1" thick filters (not included)
- Overall size 23-3/4"X 23-3/4" (24"X 24" openings)
- White durable finish



964R6 - Steel Perforated T-Bar Return Filter Grille with R6 Insulation

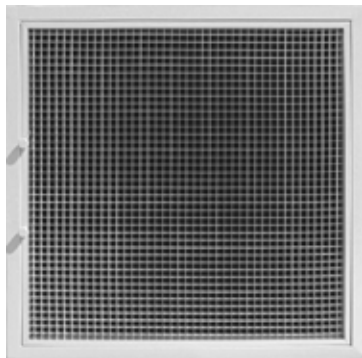
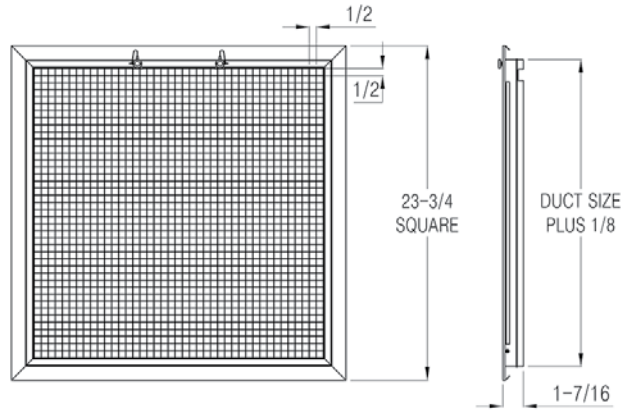
- Steel Construction
- Use for T-bar ceiling
- Perforated faceplate
- With R6 insulation
- Removable hinged face for easy installation and cleaning
- Uses nominal 1" thick filters (not included)
- Overall size 23-3/4"X 23-3/4" (24"X 24" openings)
- White durable finish





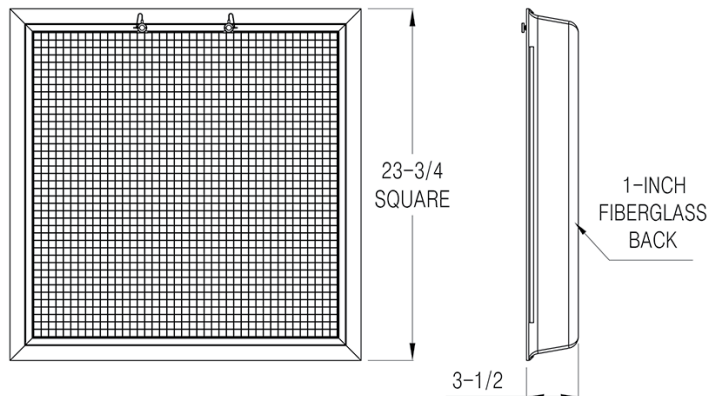
986 - T-Bar Aluminum Egg Crate Filter Grille

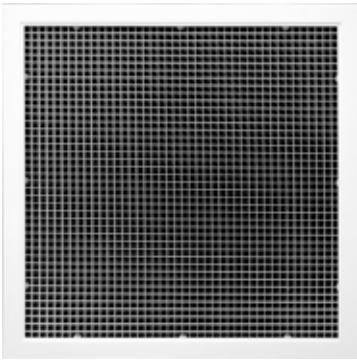
- Aluminum construction
- Use for T-bar ceiling
- 1/2" grid core
- Uses nominal 1" thick filters (not included)
- Overall size 23-3/4" X 23-3/4" (24" X 24" openings)
- White durable finish



986R6 - T-Bar Aluminum Egg Crate Filter Grille with R6 Insulation

- Aluminum construction
- Use for T-bar ceiling
- 1/2" grid core
- With R6 insulation
- Uses nominal 1" thick filters (not included)
- Overall size 23-3/4" X 23-3/4" (24" X 24" openings)
- White durable finish

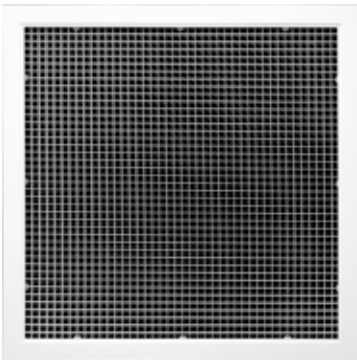
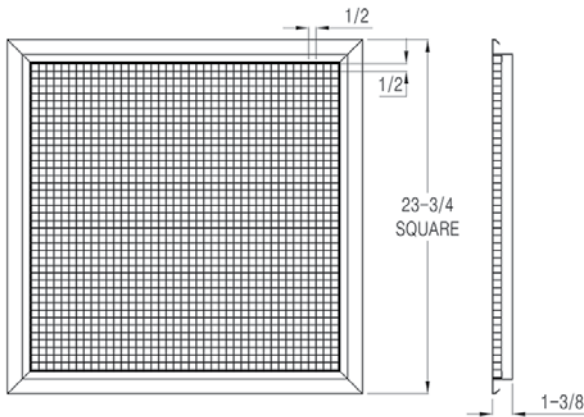




987 - T-Bar Aluminum Egg Crate Return Grille

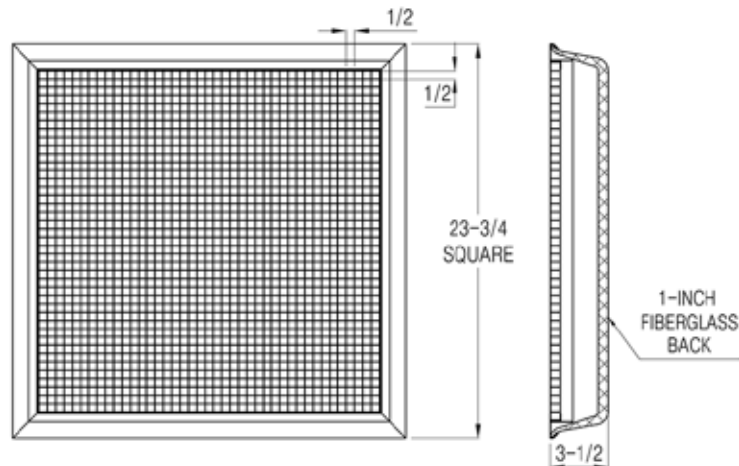
- Aluminum construction
- Use for T-bar ceiling
- 1/2" grid core
- Overall size 23-3/4"X 23-3/4" (24"X 24" openings)
- White durable finish

Available Sizes (in inches)	
HEIGHT	WIDTH
	24
12	●
24	●



987R6 - T-Bar Aluminum Egg Crate Return Grille with R6 Insulation

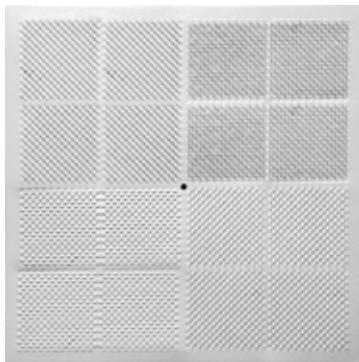
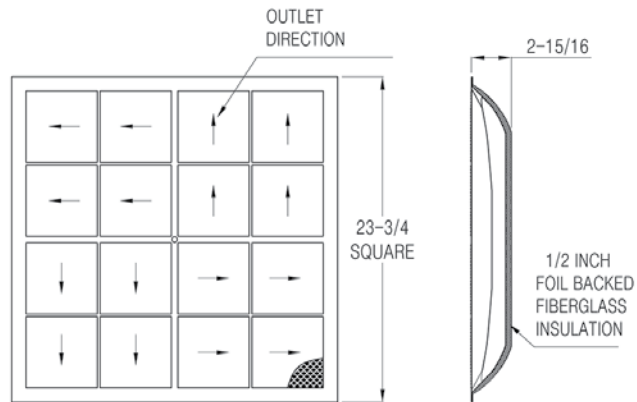
- Aluminum construction
- Use for T-bar ceiling
- 1/2" grid core
- With R6 insulation
- Overall size 23-3/4"X 23-3/4" (24"X 24" openings)
- White durable finish





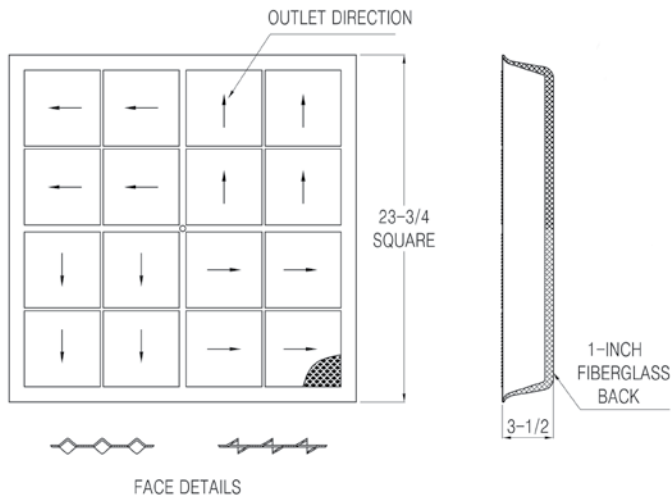
944WI - T-Bar Stamped Aluminum 4-way Perforated Diffuser with Insulation

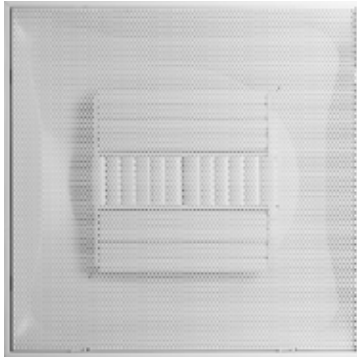
- Stamped aluminum face
- Use for T-bar ceilings
- Four-way, perforated faceplate
- With insulation
- Overall size 23-3/4"X 23-3/4" (24"X 24" openings)
- White durable finish



945R6 - T-Bar Stamped Aluminum 4-Way Perforated Diffuser with R6 Insulation

- Stamped aluminum face
- Use for T-bar ceilings
- Four-way, perforated faceplate
- With R6 insulation
- Overall size 23-3/4"X 23-3/4" (24"X 24" openings)
- White durable finish

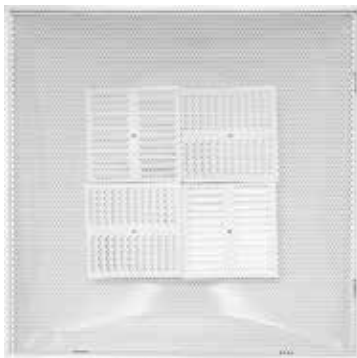
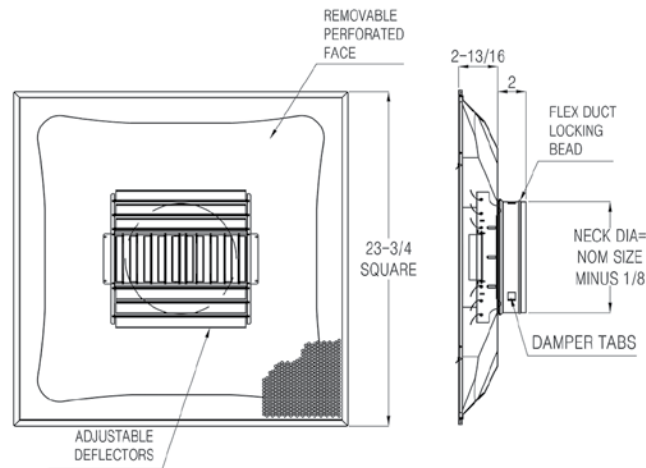




955 - T-Bar Steel Curved Blade Perforated Supply with Collar

- Steel construction
- Use for T-bar ceiling
- Four-way, perforated faceplate
- Adjustable curved-blade deflectors
- Removable hinged face for easy air flow adjustment and cleaning
- See table for fixed collar sizes
- Overall size 23-3/4" X 23-3/4" (24" X 24" openings)
- White durable finish
- Accepts model 343 butterfly damper

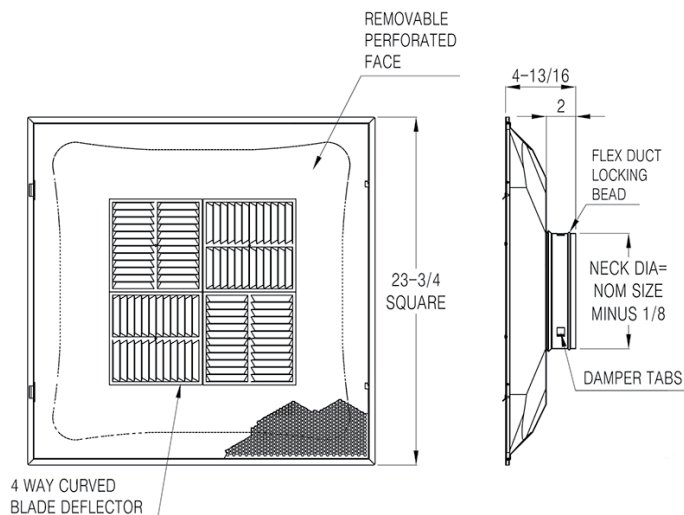
Available Sizes (in inches)				
Diameter				
6	8	10	12	14
●	●	●	●	●

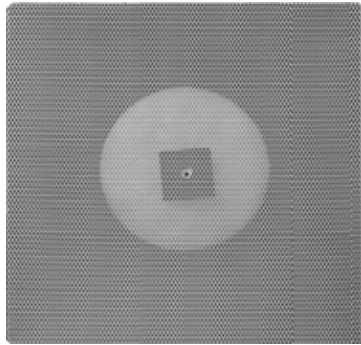


957 - T-Bar Shallow Back Perforated Supply with Collar

- Steel construction
- Use for T-bar ceiling
- Perforated faceplate
- Adjustable deflectors
- Removable hinged face for easy air flow adjustment and cleaning
- Overall size 23-3/4" X 23-3/4" (24" X 24" openings)
- See table for fixed collar sizes
- White durable finish
- Accepts model 343 butterfly damper

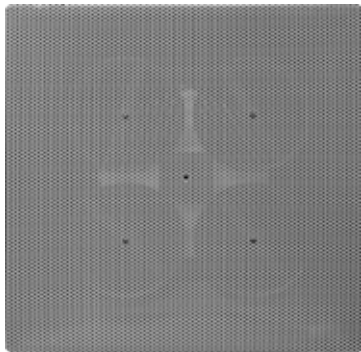
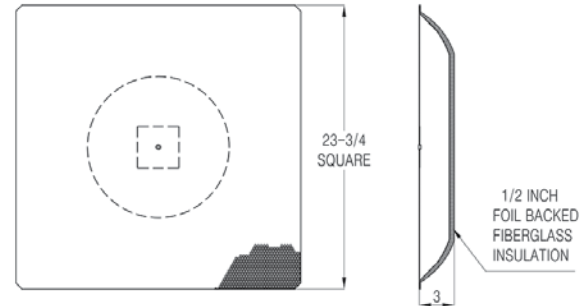
Available Sizes (in inches)			
Diameter			
6	8	10	12
●	●	●	●





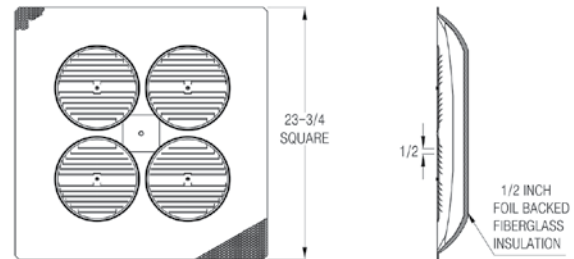
958FDWI - T-Bar Perforated Supply Diffuser with Fixed Deflector and Insulation

- Steel construction
- Use for T-bar ceiling
- Perforated faceplate
- Fixed deflector
- With insulation
- Formed metal back panel
- Accepts model 340 snap-in collar ring (6" - 12")
- Overall size 23-3/4" X 23-3/4" (24" X 24" openings)
- White durable finish
- Accepts model 343 butterfly damper

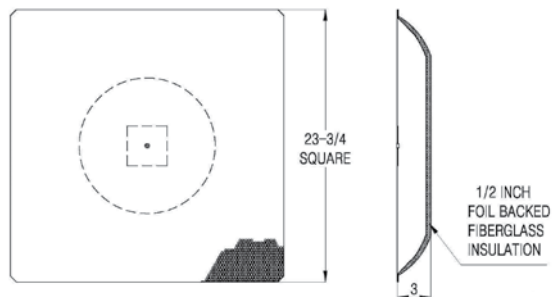


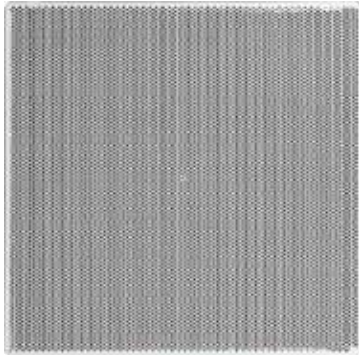
958ADWI - T-Bar Perforated Supply Diffuser with Adjustable Deflectors and Insulation

- Steel construction
- Use for T-bar ceiling
- Perforated faceplate
- Adjustable round deflectors
- With Insulation
- Formed metal back panel
- Accepts model 340 snap-in collar ring (6" - 12")
- Overall size 23-3/4" X 23-3/4" (24" X 24" openings)
- White durable finish



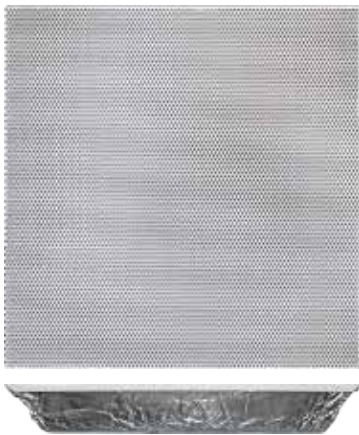
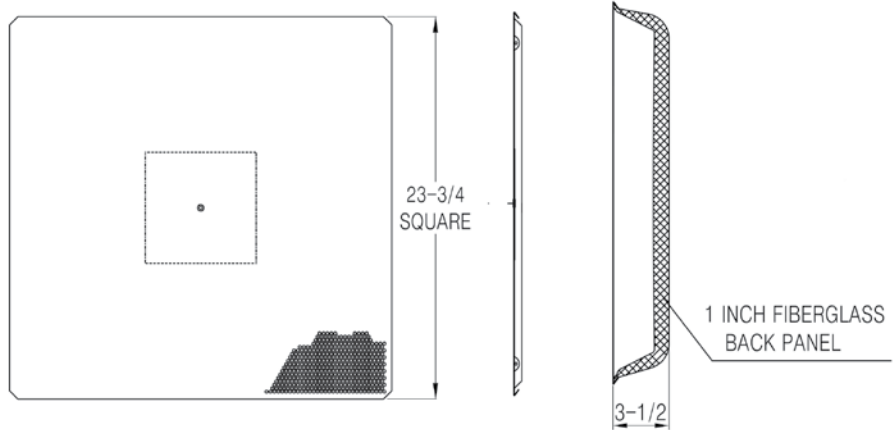
958ADWIFC14 - T-Bar Perforated Supply Diffuser with Adjustable Deflectors





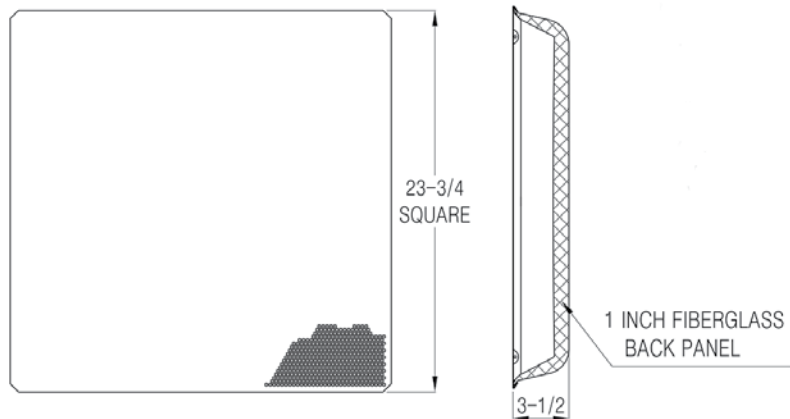
953R6 - T-Bar Steel Perforated Supply Diffuser with R6 Insulation

- Steel construction
- Use for T-bar ceiling
- Perforated faceplate
- Fixed square deflector
- With R6 insulation
- Overall size 23-3/4"X 23-3/4" (24"X 24" openings)
- White durable finish



954R6 - T-Bar Steel Perforated Return with R6 Insulation

- Steel construction
- Use for T-bar ceiling
- Perforated faceplate
- With R6 insulation
- Overall size 23-3/4"X 23-3/4" (24"X 24" openings)
- White durable finish

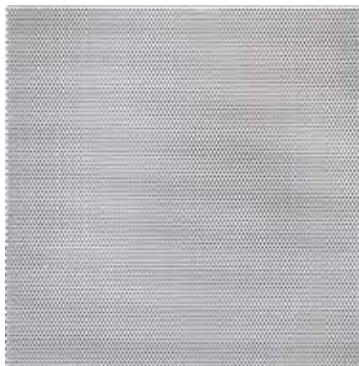
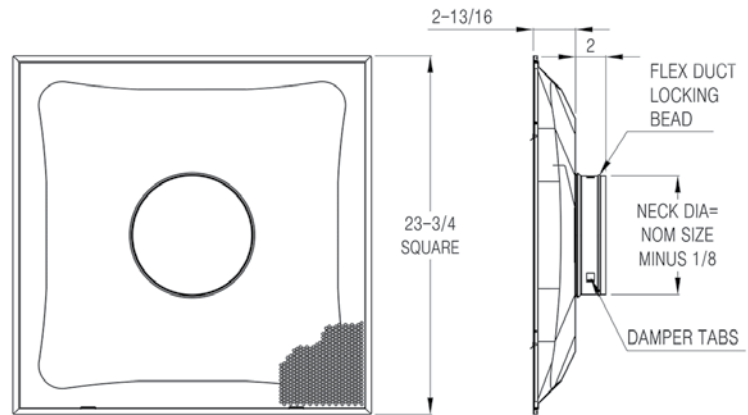




956 - T-Bar Steel Perforated Return with Fixed Collar

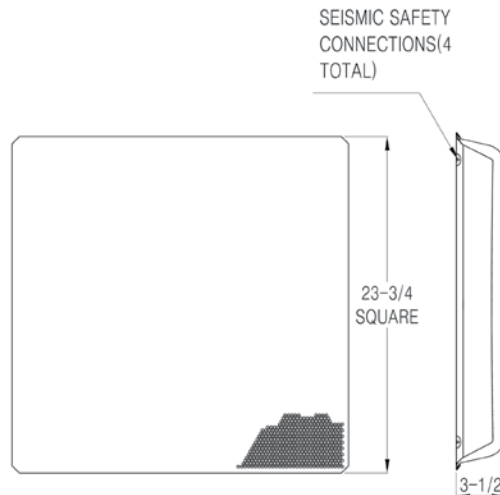
- Steel construction
- Use for T-bar ceiling
- Perforated faceplate
- Overall size 23-3/4"X 23-3/4" (24"X 24" openings)
- See table below for collar sizes
- White durable finish
- Accepts model 343 butterfly damper

Available Sizes (in inches)				
Diameter				
6	8	10	12	14
●	●	●	●	●



854PFO - T-Bar Steel Perforated Face Only

- Steel face
- Use for T-bar ceilings
- Perforated faceplate
- Overall size 23-3/4" X 23-3/4" (24" X 24" openings)
- White durable finish

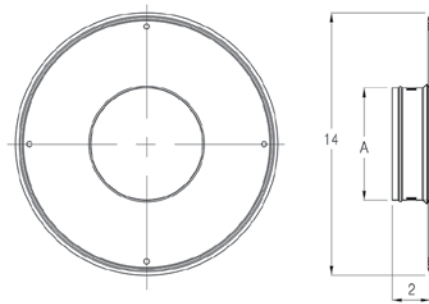




340 - Collar Ring

- Galvanized steel construction
- Snap-in design for easy installation
- 2" high collar with bead for easy flex connections
- For use with model 343 butterfly damper

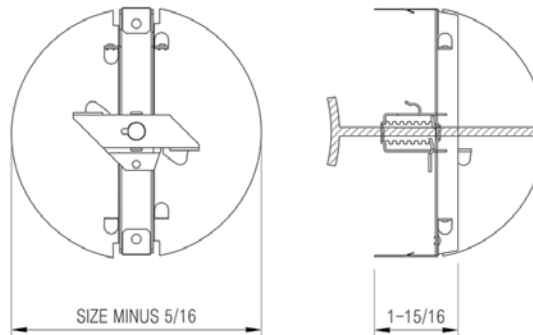
Available Sizes (in inches)					
Diameter					
6	7	8	10	12	14
●	●	●	●	●	●



343 - Butterfly Damper

- Steel construction
- Adjustable butterfly damper with knob controls
- For use with model 340 collar
- Brown durable finish

Available Sizes (in inches)					
Diameter					
6	7	8	10	12	14
●	●	●	●	●	●



**355 – R6 Molded Fiberglass Back**

- Aluminum foil vapor barrier protects the insulation from moisture
- Deep plenum cavity for improved performance
- Prescored back for 6" to 14" diameter neck

Residential Cross-Reference Guide

Page #	Accord	Description	H&C	AirMate
1	101	Floor Register	421	302
1	102	Floor Register	421WSH	302-H
2	105	Toe Space Grille	420	301
2	110	Heavy Gauge Floor Register	411	310-FB
3	115	Floor Register	210	325-M
3	120	Floor Return Air Grille	265	325
4	150	Baseboard Diffuser	406	350
4	155	Baseboard Return Air Grille	407	351
5	160	Baseboard Diffuser	462	
5	165	Baseboard Return Air Grille	472	
6	170	Baseboard Return Air Grille	658	
6	175	Baseboard Register	655	
7	185	Baseboard Return Air Grille	674	171
7	190	Baseboard Register	664	164
7	195	Baseboard Return Air Grille	657	174
8	201	Sidewall/Ceiling 1-Way	681	180
8	202	Sidewall/Ceiling 2-Way	682	160
9	203	Sidewall/Ceiling 3-Way	683	140
9	204	Sidewall/Ceiling 4-Way	684	190
10	221	Sidewall Register with Damper	651	
10	222	Sidewall/Ceiling Register 2-Way	661	163
11	223	Sidewall/Ceiling Register 3-Way	631	143
11	230	Aluminum Sidewall/Ceiling Register 2-Way		A160
12	252	Plastic Sidewall/Ceiling Register 2-Way	RZ682	
12	253	Plastic Sidewall/Ceiling Register 3-Way	RZ683	
13	254	Plastic Sidewall/Ceiling Register 4-Way	RZ684	
14	261	Sidewall/Ceiling Register 1-Way Curved Blade	301	601-HM
14	262	Sidewall/Ceiling Register 2-Way Curved Blade	302	602-HM
15	263	Sidewall/Ceiling Register 3-Way Curved Blade	303	603-M
15	264	Sidewall/Ceiling Register 4-Way Curved Blade	304	604-M
16	281	Aluminum Sidewall/Ceiling Register 1-Way Adjustable Curved Blade	A611MS	A451-HM
16	282	Aluminum Sidewall/Ceiling Register 2-Way Adjustable Curved Blade	A612MS	A452-M
17	283	Aluminum Sidewall/Ceiling Register 3-Way Adjustable Curved Blade	A613MS	A453-M
17	284	Aluminum Sidewall/Ceiling Register 4-Way Adjustable Curved Blade	A614MS	A454-M
18	260	Sidewall/Ceiling Register Adjustable Blades		401-VM
18	270	Aluminum Sidewall/Ceiling Register Adjustable Straight Fin	A618MS	A420-VM
19	300	Round Ceiling Diffuser	16	800
19	301	Round Duct Ring with Butterfly Damper	12	800-D
19	344	Duct Ring	11	800-R
20	500	Return Air Grille	672	170
20	505	Return Air Grille		
21	515	Return Air Grille	650	173
21	520	Return Air Filter Grille	673	170FF
22	525	Return Air Filter Grille	659	

	Continental	Lima	Shoemaker	Tru Aire	U.S. Aire
	28/28PC	800	325	150M	1510D
	30				1510DX
	TG32	875	TS	150TS	1320
		850	375		
	F20	830	1550R		1530M
	F25	825	1600R	154R	1530
	150/180/240	470	875	115R/118R/120R	1340
	1505/1805/2405	471		115S/118S/120S	1340R
		72			
		77			
	BEG31	652			
	55	649			
	BG21	60GH7	150	122R	1300
	B32	667	855	124M	
	BG31	671	1133	123R	
	21	601		101M	101M
	22	602	850	102M	102M
	23	603	845	103M	103M
	24	604	150	104M	104M
	51	653			
	32	632	833	132M	
	33	633			
	A22	AL602			
		RZ602			
		RZ603			
		RZ604			
	CH1	501	201H	401M	201M
	CH2	502	202H	402M	202M
	C3	503	203	403M	203M
	C4	504	204	404M	204M
	AC1H	AL271ML		A301M	LM
	AC2H	AL272ML		A302HM	LTM
	AC3	AL273ML		A303M	LS3M
	AC4	AL274ML		A304M	LS4M
	AE1MS	AL278ML	950	A210VM	
	16	150	90	800	900S
	12B			801	
	11	156	92	803	
	G25	60GH7	1050	170	1400
	G35	63GH	1033	173	
	FG2	60GH7	FG-1	190/190RF	1410F
	FG3				

The provided cross references are intended to provide similar part numbers, and in no way guarantee identical product specifications or application suitability. Products may differ. Accord Ventilation Products assumes no responsibility or liability for errors, inconsistencies, changes in product design, suitability or any other consequence of using these guides.

Light Commercial Cross-Reference Guide

Page #	Accord	Description	H&C	AirMate
22	481	Aluminum Square Ceiling Diffuser 1-Way	A501OB	E 1051
23	482	Aluminum Square Ceiling Diffuser 2-Way	A502OB	E 1052
23	483	Aluminum Square Ceiling Diffuser 3-Way	A503OB	E 1053
23	484	Aluminum Square Ceiling Diffuser 4-Way	A504OB	E 1054
24	485	Aluminum Square Ceiling Diffuser 2-Way Corner	A505OB	E 1050-C
24	411	Vertical Single Deflection Supply with Multi-Shutter Damper	821	220-V
24	415	Double Deflection Register	92VHV	E 240-VO
25	422	Horizontal Return Grille	94A	280
25	455	Aluminum Vertical Single Deflection Supply	VM	A 420-VM
26	600	Aluminum Horizontal Grille	RH45	E280
26	441	Aluminum Horizontal Single Deflection Grille	HX	E 200-H
27	444	Aluminum Double Deflection Horizontal and Vertical Grille	HV	E 240-H
27	453	Aluminum Double Deflection Vertical and Horizontal Grille	VH	E 240-V
28	425	Steel Fixed Bar Filter Grille	96AFB	280FF
28	605	Aluminum Horizontal Filter Grille	RHF45	E280FF
29	960	T-Bar Plaque Diffuser	DPD	
29	951WI	T-Bar Steel 2-Cone Fixed-Pattern Diffuser with Insulation		1320U-INS
30	952	T-Bar Steel 2-Cone Fixed-Pattern Diffuser with Collar	FPD	1302-INS
30	952WI	T-Bar Steel 2-Cone Fixed-Pattern Diffuser with Collar and Insulation		1300U-R6
31	961WI	T-Bar Steel 3-Cone Fixed-Pattern High Volume Diffuser with Insulation	HVS	1300U-14INS
31	961R6	T-Bar Steel 3-Cone Fixed-Pattern High Volume Diffuser with R6 Insulation	HVS R6	1300U-INS
32	962	T-Bar Steel 3-Cone Fixed-Pattern Diffuser with Collar	FPD3	1300-INS
32	962WI	T-Bar Steel 3-Cone Fixed-Pattern Diffuser with Collar and Insulation	FPD3 R6	1300-INS R6
32	962R6	T-Bar Steel 3-Cone Fixed-Pattern Diffuser with R6 Insulation	FPD3 R6	ETB 280
33	610	T-Bar Aluminum Return Grille	RH45T	ETB 280FF
33	611	T-Bar Aluminum Return Filter Grille	RHF45T	TB 170FF
34	922	T-Bar Steel Lanced Return Filter Grille	673T	TB 170FF- INS P
34	924R6	T-Bar Deep Filter Frame with R6 Insulation		170FF
34	922R6	T-Bar Lanced Return Filter Grille with R6 Insulation	673TPI R6	
35	923	T-Bar Steel Lanced Return Filter Grille	659T	
35	923R6	T-Bar Steel Lanced Return Filter Grille with R6 Insulated	659TI	
36	964	Steel Perforated T-Bar Return Filter Grille	PFT	
36	964R6	Steel Perforated Return Filter Grille with R6 Insulation	PFTI	
37	986	T-Bar Aluminum Egg Crate Filter Grille	REF5T	ETB 900FF
37	986R6	T-Bar Aluminum Egg Crate Filter Grille with R6 Insulation	REF5TI	ETB 900FF-INS
38	987	T-Bar Aluminum Egg Crate Return Grille	RE5T.	ETB 900
38	987R6	T-Bar Aluminum Egg Crate Return Grille with R6 Insulation	RE5TI	ETB 900-INS
39	944WI	T-Bar Stamped Aluminum 4-way Perforated Diffuser with Insulation	444	2204-INS
39	945R6	T-Bar Stamped Aluminum 4-Way Perforated Diffuser with R6	REN4 R6	
40	955	T-Bar Steel Curved Blade Perforated Supply with collar	CBPS	704
40	957	T-Bar Shallow Back Perforated Supply with collar	SBP	
41	958FDWI	T-Bar Perforated Supply Diffuser with Fixed Deflector and Insulation	PDS	
41	958ADWI	T-Bar Perforated Supply Diffuser with Adjustable Deflectors and Insulation	PDS	782-SA
41	958FDWIFC14	T-Bar Perforated Supply Diffuser with Adjustable Deflectors and a 14" Fixed Collar	PDS14	
42	953R6	T-Bar Steel Perforated Supply Diffuser with R6 Insulation	RENPS R6	
42	954R6	T-Bar Steel Perforated Return with R6 Insulation	RENPS R6	
43	956	T-Bar Steel Perforated Return with Fixed Collar	CBPR	2100-RA
43	854PFO	T-Bar Steel Perforated Face Only	PD	700-P
44	340	Collar Ring	5400	
44	343	Butterfly Damper	3800	800-DO
45	355	Molded Fiberglass Back	MFB	

Carnes	Continental	Grille Tech	J&J	Krueger	Shoemaker	Titus	MetalAire	TruAire
RNSMHV	AE1 OB		AL161OBD	5SHR 1	SDD-1S-O	"TDC-AA-	5000 S1 D5	A5010
RNDMHV	AE2 OB		AL162OBD	5SHR 2	SDD-2S-O	S1-D-75"	5000 S2 D5	A5020
SESA 30	AE3 OB		AL163OBD	5SHR 3	SDD-3S-O	"TDC-AA-	5000 S3 D5	A5030
SESA 40	AE4 OB		AL164OBD	5SHR 4	SDD-4S-O	S2-D-75"	5000 S4 D5	A5040
SESA 25	AE5 OB		AL165OBD	5SHR D2	SDD-5S-O		5000 SC D5	A5050
	RVML		900V	800V	951	"TDC-AA-	V4000 2SM-1	210VM
				AF880V 01	904-O.	A4-D-75"	V4004D	A220VO
RSABH	FBG	S-RA, 45	S90H	S80H	935	"TDC-AA-	SRH	270
	AVM			5800V		G2-D-75"	4000VM	A210VM
RAAMH	AFBG			AF5580	905		RHE	A270
RASMH	ARGH	EH	ALH	580H	901	300RS AG-15	H4002	A210H
RADMH	AHVG	EHV	ALHV	5880H	903		H4004	A220H
RADMV	AVHG	EVH	ALVH	5880V	904	3FL	V4004	A220V
RSAB	FBFG		S90HFF	S80H 04	920FG1	300FL	SRHF	290
RAAM(Filter)	AFBFG			AF5580 5FF	900FG	300FS	RHEF	A290
	FPDA					AG-15-AA		2003CD-R6
SFTB	FPD NI			M1450	HVL	350RLF	5700-6	2003CD
	FPD			M1450-INS		3FFL		2003CD-IN
	HVS A R1						5800	
	HVS A R6					TMSA IB		
SFTB	HVS				HVD	TMS-3 IB	5800-6	2004CD
	HVS R1							2004CD-IN
	HVS R6							2004CD-R6
RAAMH-E	AFBGTB			AF5580 F23	900T			
RAAMH-T(Filter)	AFBGTB			AF5580 5FF F23	900TFG		SRHF TB	
	TL2							4010FG-2
	TL2106							4010FG-2MLD
	TL3				105FG	3FL-3	1400F TB	
	TL3106				106FG	3FFL-3		
RSFA (Filter)	TP			S80P F23 FF	105PFG			4030FG-2
	TP106				106PFG			
RAPMF	ECFGTB			EGC5 F23 FF	600FG		CC5FB	4050FG-2
	ECFGTB106				600TFG		CC5FB-TB	
RAPAH	ECGTB			EGC5 F23	600TFG		CC5-TB	1944RG
	ECGTB106				601T			
	A440					50FF-A-3		
	A4406							
SPFCN				6500	825	50F-A-3	7600-6	1400CB
SPAB				6600			7500-6	
	PDSA					PCS-3		
	PDS4A			6300			7500	
	PDS414			6300			7500	
	CS106P					PMC-3		1020MAS-INS
	CS106P4			6390		PAS-3-IB		1020MAR-INS
SPRB	6500			6690	830			1444RG
	TP			6790	PT	PAS-3-IB	SPRTB	1920RG
		1565						
	BCD	R22	RP12	RP12	AG-85		BDS	802
						PXP		



ENGINEERED FOR A LIFETIME



Dual Paint Coatings

Electro-Coating and Powder-Coating provide excellent coverage, durability, superior corrosion-resistance, and a flawless appearance.

Heavy Gauge Steel

The resilient quality and commercial grade strength of this material ensures outstanding product performance.

Low-Profile Damper Control

Attractive space-saving switch operates easily.

No Sharp Edges

Precision stamping and hand-finishing ensures that each register will have a smooth surface.

Superior Finish

Attention to details such as invisible welding spots and seams creates a strong and attractive finished product.

Smooth Operation

Stringent assembly and quality control procedures provide outstanding operation every time.

Engineered & Tested

Accord registers are engineered and tested to the industry's highest standards.

Hand Inspected

Each part is individually inspected for quality before it is packaged.

Protective Packaging

Quality shrink wrapping with cardboard backing prevents damage in shipping and on the shelf.