



Operator's Manual DLM-2100SP Mower

WARNING

This product contains chemicals known to the State of California to cause cancer, birth defects, or other reproductive harm. Cancer and Reproductive Harm www.P65Warnings.ca.gov

WARNING



Read and understand all provided literature before use. Failure to do so could result in serious injury.

TABLE OF CONTENTS

Introduction.....	3
Servicing Information.....	3
Parts / Serial Number	3
Service.....	4
ECHO Consumer Product Support	4
Product Registration	4
Additional Literature.....	4
Packing List	4
Safety	5
Manual Safety Symbols and Important Information.....	6
International Symbols	6
Lawn Mower Safety Warnings.....	7
Environmentally Safe Battery Disposal	13
Description.....	14
Preparation For Use	16
Operation.....	22
Starting The Unit.....	22
Stopping The Unit.....	22
Self-Propel Drive System	23
Operate on Slopes.....	24
Empty the Grass Catcher	24
Operation Tips	25
Maintenance	25
Cleaning Battery and Battery Compartment.....	27
Replace The Blade	28
Troubleshooting.....	29
Storage	31
Vertical Storage	31
Storage After Use	32
Specifications	33
Product Registration.....	34
Warranty	36

INTRODUCTION

Specifications, descriptions and illustrative material in this literature are as accurate as known at the time of publication, but are subject to change without notice. Illustrations may include optional equipment and accessories, and may not include all standard equipment.



Read and understand all provided literature. Literature contains specifications and information for safety, operation, maintenance, storage, and assembly specific to this product. Scan QR codes for more information.



For additional literature, including safety manuals where applicable, or questions regarding terms used in this manual, visit:

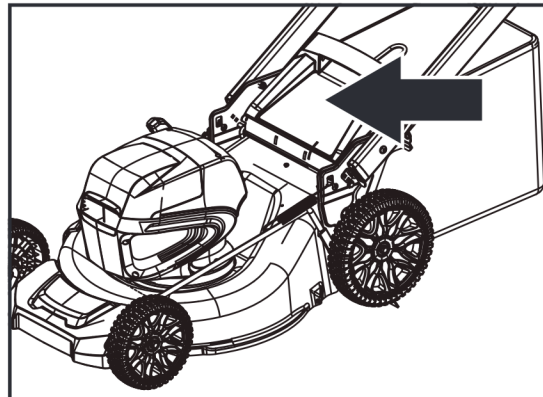
<https://www.echo-usa.com/manuals>



SERVICING INFORMATION

Parts / Serial Number

Genuine ECHO Parts and Assemblies for your ECHO products are available only from an Authorized ECHO Dealer. When you do need to buy parts always have the Model Number and Serial Number of the unit with you. For future reference write them in the space provided below.



Model No. _____

Serial No. _____

Service

Service of this product during the warranty period must be performed by an Authorized ECHO Service Dealer. For the name and address of the Authorized ECHO Service Dealer nearest you, ask your retailer or call: 1-800-432-ECHO (3246). Dealer information is also available on our Web Site www.echo-usa.com. When presenting your unit for Warranty service/repairs, proof of purchase is required.

ECHO Consumer Product Support

If you require assistance or have questions concerning the application, operation, or maintenance of this product, call the ECHO Consumer Product Support Department at 1-800-432-ECHO (3246) from 8:00 am to 5:00 pm (Central Standard Time) Monday through Friday. Before calling, please know the model and serial number of your unit.

Product Registration

Register your ECHO equipment online at www.echo-usa.com or by filling out the product registration sheet included in this manual. Registering your product confirms warranty coverage and provides a direct link to ECHO if we find it necessary to contact you.

Additional Literature

In addition to finding information online, information is available from your Authorized ECHO Service Dealer, or by contacting ECHO Incorporated, 400 Oakwood Road, Lake Zurich, IL 60047, 1-800-432-ECHO (3246).

PACKING LIST

The ECHO product you purchased has been factory pre-assembled for your convenience. Due to packaging restrictions, some assembly may be necessary.

After opening the carton, check for damage. Immediately notify your retailer or ECHO Dealer of damaged or missing parts. Use the contents list to check for missing parts.

- 1 Mower
- 1 Operator's manual
- 1 Side discharge chute
- 1 Grass catcher
- 1 Mulch plug

Manual Safety Symbols and Important Information

Throughout this manual and on the product itself, you will find safety alerts and helpful, informational messages preceded by symbols or key words. The following is an explanation of those symbols and key words and what they mean to you.

DANGER

The safety alert symbol accompanied by the word “DANGER” calls attention to an act or condition which WILL lead to serious personal injury or death if not avoided.

WARNING

The safety alert symbol accompanied by the word “WARNING” calls attention to an act or condition which CAN lead to serious personal injury or death if not avoided.

CAUTION

The safety alert symbol accompanied by the word “CAUTION” calls attention to an act or condition which might lead to minor or moderate personal injury if not avoided.

NOTICE

The enclosed message provides information necessary for the protection of the unit.

Note: This enclosed message provides tips for use, care and maintenance of the unit.




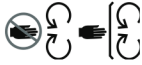






CIRCLE AND SLASH SYMBOL

This symbol means the specific action shown is prohibited. Ignoring these prohibitions can result in serious or fatal injury.

International Symbols

Some of the following symbols may be used on this product. Please study them and learn their meaning. Proper interpretation of these symbols will allow you to operate the product better and safer.

Symbol	Description	Symbol	Description
	WARNING! Read and follow all safety precautions in the operator's manual. Failure to follow instructions could result in serious personal injury.		Use extra caution on slopes. do not mow slopes greater than 15 degrees.
	Safety / Alert		Do not open or remove safety devices while the tool is running.
	Always wear eye protection with side shields marked to comply with ANSI Z87.1 when operating this equipment.		Look down and behind first to avoid tripping when pulling back.
	Do not expose the product to rain or moist conditions.		Direct current
	Remove objects that can be thrown by the blade in any direction.		Volts
	All visitors should be kept at a distance from work area.		To reduce the risk of injury, keep hands and feet away from rotating parts. Do not operate unless discharge cover or grass bag is in its proper place. If damaged, replace immediately.
	Environmentally safe battery disposal		

SAFETY

Lawn Mower Safety Warnings

WARNING

This machine was built to be operated according to the rules for safe operation included in this manual. As with any type of power equipment, carelessness or error on the part of the operator can result in serious injury. This machine is capable of amputating hands and feet and throwing objects. Failure to observe all safety instructions could result in serious injury or death.

When using electric lawn mowers, basic safety precautions should always be followed to reduce the risk of fire, electric shock, and personal injury. These basic precautions include the following:

Children and Bystanders

Tragic accidents can occur if the operator is not alert to the presence of children or bystanders.

- Keep the area of operation clear of all persons, particularly small children, and pets.
- Use extreme care when approaching blind corners, doorways, shrubs, trees, or other objects that may obscure your vision of a child or bystander. Keep children, bystanders, helpers and pets at least 100 feet (30m) from the mower while it is in operation. Stop the machine if anyone enters the area.
- Never allow children under 14 years old to operate a power mower. Operators 14 years old and over should fully read and understand the operator's manual and safety rules. Only responsible individuals who are familiar with these rules of safe operation should be allowed to use this machine.

General Operation

- Read this operator's manual carefully in its entirety before assembling or operating this machine. Read, understand, and follow all instructions on the machine and in the manuals before operation. Familiarize yourself with the controls and proper use of this machine before operation. Save this manual for future and regular reference.

- Do not use the lawn mower for any job except that for which it is intended. Your lawn mower has been designed to perform only one job: cut grass.
- Never attempt to make a wheel height adjustment while the motor is running.
- Don't force the lawn mower; it will do the job better and more safely at the rate for which it was designed.
- Don't overreach, keep proper footing and balance at all times. Many injuries occur as a result of the mower being pulled over the foot during a fall caused by slipping or tripping. A slip and fall can cause serious personal injury. If you feel you are losing your footing, release the control handle immediately and the blade will stop rotating within three seconds.
- Thoroughly inspect the area where the mower is to be used and remove all stones, sticks, wires, dog bones, and other foreign objects.
- Prevent unintentional starting. Ensure the switch is in the off position before connecting to battery, picking up or carrying the mower. Carrying the mower with your finger on the switch or energizing mower that has the switch on invites accidents.
- Never pull the mower back toward you while you are walking. If you must back the mower away from a wall or obstruction, first look down and behind you to avoid tripping, and then follow these steps:
 1. Step back from the mower in order to fully extend your arms.
 2. Be sure that you are well balanced.
 3. Pull the mower back slowly.
- Remove the battery from the mower before making any adjustments, changing accessories, or storing appliance. Such preventive safety measures reduce the risk of starting the mower accidentally.
- Before and while moving backwards with the mower, look behind and down for small children and other people.
- Do not operate the mower while under the influence of alcohol or drugs. Stay alert and watch what you are doing at all times. Use common sense and do not operate the lawn mower when you are tired.
- Always wear safety glasses or safety goggles during operation and while performing an adjustment or repair to protect your eyes. Thrown objects that ricochet can cause serious injury to the eyes. Always use a face or dust mask if the operation is dusty.
- Keep clear of the discharge opening at all times. Do not put hands or feet near rotating parts or under the cutting deck. Contact with the blade can amputate hands and feet.
- Plan your mowing pattern to avoid discharge of material toward roads, sidewalks, bystanders and the like. Also, avoid discharging material against walls or obstructions, which may cause discharged material to ricochet back toward the operator.

- To help avoid the blade or an injury from a thrown objects, stay in the operator zone behind the handles.
- A missing or damaged discharge cover can cause blade contact or injuries from thrown objects.
- Objects struck by the lawn mower blade can cause severe injuries to persons. The lawn should always be carefully examined and cleared of all objects prior to each mowing.
- Stop the blade when crossing gravel drives, walks or roads.
- Follow all charging instructions and do not charge the battery or mower outside of the temperature range specified in the instructions. Charging improperly or at temperatures outside of the specified range may damage the battery and increase the risk of fire.
- If lawn mower strikes a foreign object, follow these steps:
 1. Release the bail switch to disengage the motor.
 2. Remove the battery.
 3. Inspect for damage.
 4. Repair any damaged parts before restarting and operating the lawn mower.
- Dress properly; do not wear loose clothing or jewelry that can be caught in moving parts. Use of safety gloves and proper footwear is recommended when working outdoors. Wear sturdy, rough-soled work shoes and close-fitting slacks and shirts. Shirts and pants that cover the arms and legs and steel-toed shoes are recommended. Never operate this machine in bare feet, sandals, slippery or lightweight (e.g., canvas) shoes.
- Wear protective hair covering to contain long hair.
- Avoid dangerous environments; do not use the lawn mower in damp/wet locations or if it is raining.
- Store idle lawn mower indoors. When not in use, appliances should be stored indoors in dry, and high or locked-up place – out of reach of children. Always remove the battery from the mower before storing.
- Mow only in daylight or good artificial light. Walk, never run while operating.
- If the mower should start to vibrate abnormally, immediately stop the motor, remove the battery and check for the cause. Vibration is generally a warning that the mower is not functioning properly.
- Check bag frequently for deterioration and wear, and replace worn bags. Check that replacement bags comply with the original manufacturer's recommendations or specifications.
- Before cleaning the mower, unclogging or removing the grass bag, mulching insert, or side discharge chute, turn the motor off and wait until the blade comes to a complete stop, then remove the battery. The cutting blade continues to rotate for a few seconds after the motor is shut off. Never perform these functions until you are sure the blade has stopped rotating.

- Never operate the mower without the proper discharge cover, grass bag, mulching insert, side discharge chute, or other safety devices in place and working. Never operate the mower with damaged safety devices. Failure to do so can result in personal injury.
- Use only ECHO eFORCE™ 56V series batteries and chargers. Other batteries and chargers may cause damage to the mower or injure the operator.
- Do not dispose of the battery in a fire. The cells could catch fire or explode. Check with local codes and waste management for proper disposal instructions.
- When battery is not in use, keep it away from other metal objects, like paper clips, coins, keys, nails, screws or other small metal objects that can make a connection from one terminal to another. Shorting the battery terminals together may cause burns or a fire.
- Do not open or destroy the battery. Electrolytes contained within the battery are corrosive and may cause damage to eyes or skin if released. It may be toxic if swallowed.
- Under abusive conditions, liquid may be ejected from the battery; avoid contact. If contact accidentally occurs, flush with water. If liquid contacts eyes, additionally seek medical help. Liquid ejected from the battery may cause irritation or burns.
- Do not expose a battery or appliance to fire or excessive temperature. Exposure to fire or temperature above 130°C may cause explosion.
- Exercise care in handling batteries to avoid shorting the battery with conducting materials such as rings, bracelets, keys, etc. The battery or conductor may overheat and cause burns if contact with said materials is made.
- Do not use a battery or appliance that is damaged or modified. Damaged or modified batteries may exhibit unpredictable behavior resulting in fire, explosion or risk of injury.

Service/Maintenance

- Check the blade and the motor (machine) mounting bolts at frequent intervals for proper tightness.
- Replace the blade if it is bent or cracked. An unbalanced blade causes vibration that could damage the motor drive unit or cause personal injury.
- Keep all nuts, bolts, and screws tight in order to ensure the equipment is in safe working condition.
- Do not wash with a hose; avoid getting water in motor and electrical connections.
- Never remove or tamper with safety devices. Check their proper operation regularly. Never do anything to interfere with the intended function of a safety device or to reduce the protection provided by a safety device.
- Keep mower free of grass, leaves, or other debris build up. Allow mower to

- cool before storing.
- Never make any adjustments or repairs with the motor running.
- Always remove battery from mowers before adjusting, cleaning, or repairing.
- Check grass catcher components and the discharge guard frequently and replace with manufacturer's recommended parts, when necessary.
- Sharpen a dull blade equally at each end to maintain the balance.
- Keep guards in place and in working order. Mower blades are sharp, and can cut. Wrap the blades or wear gloves, and use extra caution when servicing.
- Clean the blade thoroughly and check its balance by supporting it horizontally on a thin nail through its center hole. The nail should also be in a horizontal position. If either end of the blade rotates downward, remove some metal from the heavy or lower end until the blade is balanced. It is balanced when neither end drops.
- Use identical replacement blades only.
- Maintain lawn mower with care. Keep cutting edges sharp and clean for best and safest performance. Follow instructions for lubricating and changing accessories. Inspect lawn mower cord periodically and if damaged, have it repaired by an authorized service facility.
- If situations occur that are not covered in this manual, use care and good judgment or contact Customer Service for assistance.
- Never operate the mower without proper guards, plates, or other safety protective devices in place.
- Before each use, examine the machine for damaged, missing, or loose parts such as screws, nuts, bolts and caps.
- Tighten correctly all the fasteners and caps.
- Clean the machine with a dry cloth. Do not use water.
- Have servicing performed by a qualified repair person using only identical replacement parts. This will ensure that the safety of the product is maintained.
- Do not modify or attempt to repair the mower or the battery (as applicable) except as indicated in the instructions for use and care.
- Never service damaged batteries. Service of batteries should only be performed by the manufacturer or authorized service providers.

The recommended ambient temperature range:

Item	Temperature
Mower storage temperature range	32 °F (0 °C) ~ 113 °F (45 °C)
Mower operation temperature range	32 °F (0 °C) ~ 113 °F (45 °C)
Battery charging temperature	39 °F (4 °C) ~ 104 °F (40 °C)
Charger operation temperature range	39 °F (4 °C) ~ 104 °F (40 °C)
Battery storage temperature range	32 °F (0 °C) ~ 113 °F (45 °C)
Battery discharging temperature range	32 °F (0 °C) ~ 113 °F (45 °C)

Slope Operation

Slopes are a major factor related to slip-and-fall accidents, which can result in severe injury. Operation on slopes requires extra caution. If you feel uneasy on a slope, do not mow it.

Do:

- Mow across the face of slopes; never mow up and down. Exercise extreme caution when changing direction on slopes.
- Watch for holes, roots, rocks, hidden objects, or bumps which can cause you to slip or trip. Tall grass can hide obstacles. Remove all obstacles such as rocks and tree limbs.
- Make sure that your footing is stable. If you are out of balance, release the switch immediately.

Do not:

- Mow near drop-offs, ditches or embankments; you could lose your footing or balance.
- Mow slopes greater than 15 degrees.
- Mow on wet grass. Unstable footing could cause slipping.


WARNING

If you are not comfortable, do not mow on a slope.

In case of self-propelled mowers, please keep a low self-propelled speed when you mow on a slope.

Environmentally Safe Battery Disposal



The toxic and corrosive materials below are in the batteries used in this machine: Lithium-Ion, a toxic material.

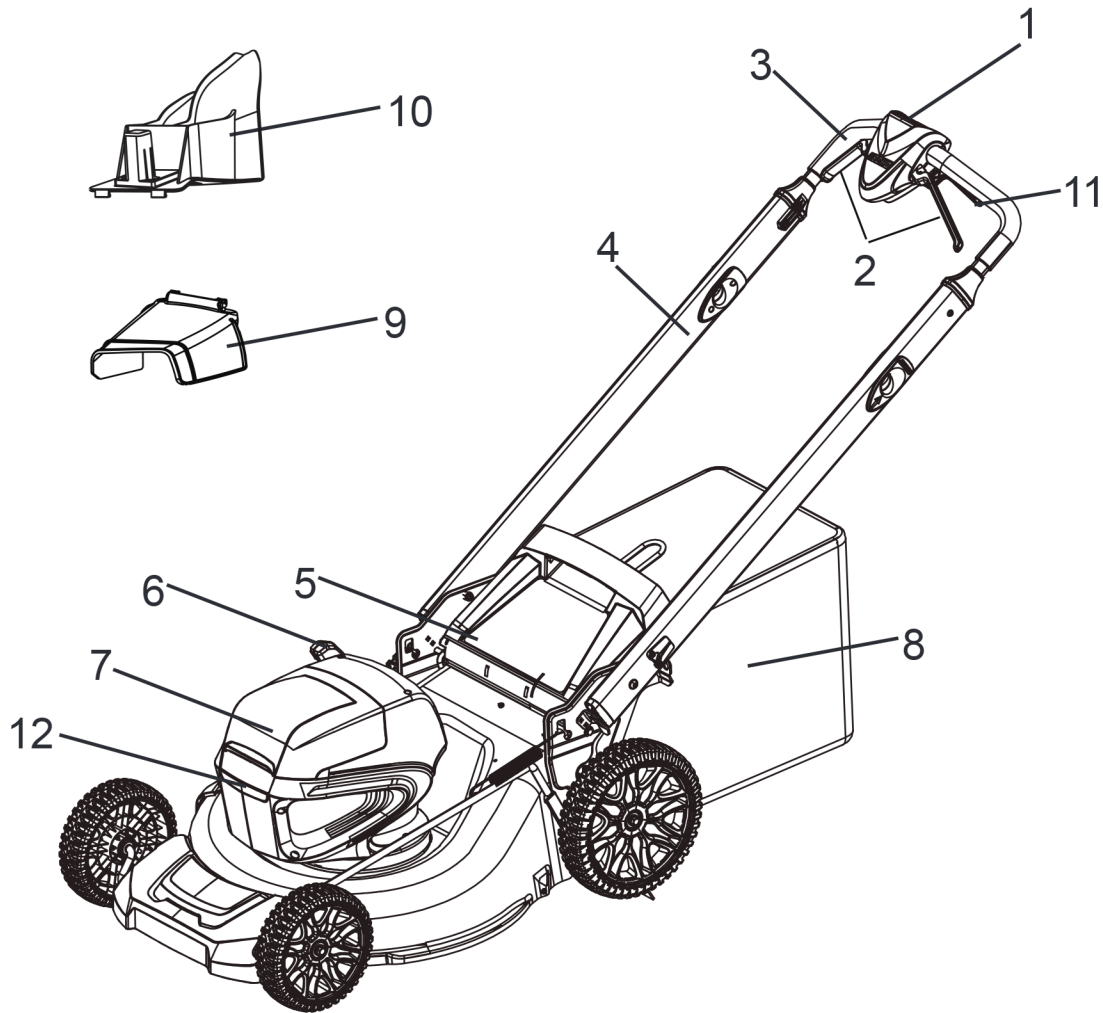
Discard all toxic materials in a specified manner to prevent contamination of the environment. Before discarding damaged or worn out Li-ion battery, contact your local waste disposal agency, or the local Environmental Protection Agency for information and specific instructions. Take the batteries to a local recycling and/or disposal center, certified for lithium-ion disposal.

If the battery cracks or breaks, with or without leaks, do not recharge it and do not use. Discard it and replace with a new battery. **DO NOT TRY TO REPAIR IT!** To prevent injury and risk of fire, explosion, or electric shock, and to avoid damage to the environment:

- Cover the terminals of the battery with heavy-duty adhesive tape.
- DO NOT try to remove or destroy any of the battery components.
- DO NOT try to open the battery.
- If a leak develops, the released electrolytes are corrosive and toxic. DO NOT get the solution in the eyes or on skin, and do not swallow it.
- DO NOT put these batteries in your regular household trash.
- DO NOT incinerate.
- DO NOT put them where they will become part of any waste landfill or municipal solid waste stream.
- Take them to a certified recycling or disposal center.

DESCRIPTION

Locate the safety label(s) on your unit. Make sure the label(s) is legible and that you understand and follow the instructions on it. If a label cannot be read, a new one can be ordered from your ECHO dealer. Safety label is for example only. Your label may appear slightly different.



1. Start button
2. Start handle
3. Upper handle
4. Lower handle
5. Rear discharge door
6. Height adjustment lever
7. Battery door
8. Grass catcher
9. Side discharge chute
10. Mulch plug
11. Self-propel drive lever
12. Headlight

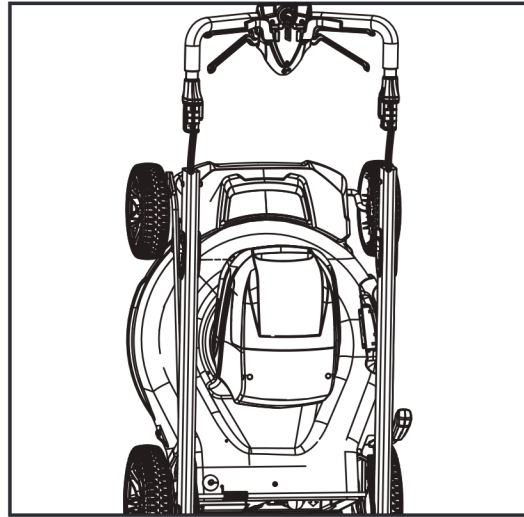
Preparation For Use

NOTICE

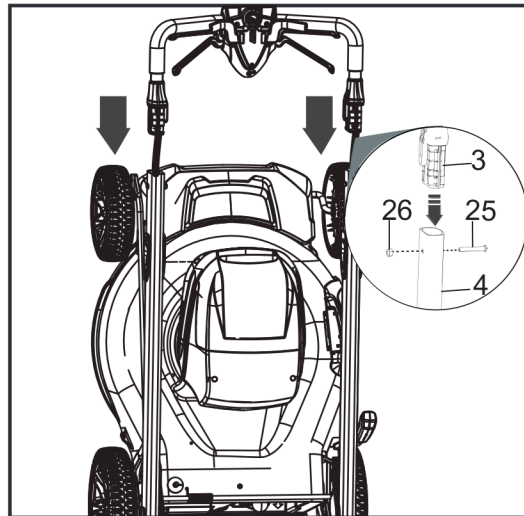
Do not damage the cable while installing the upper handle.

Install the Upper Handle

1. Place the mower upright in vertical position.
2. Remove the packing material from the cable.
3. Remove the rubber edge guard from the upper handle.



4. Insert the upper handle (3) into the lower handle (4).
5. Put the bolts (25) through the holes and tighten with the nuts (26), using a screwdriver (not included).

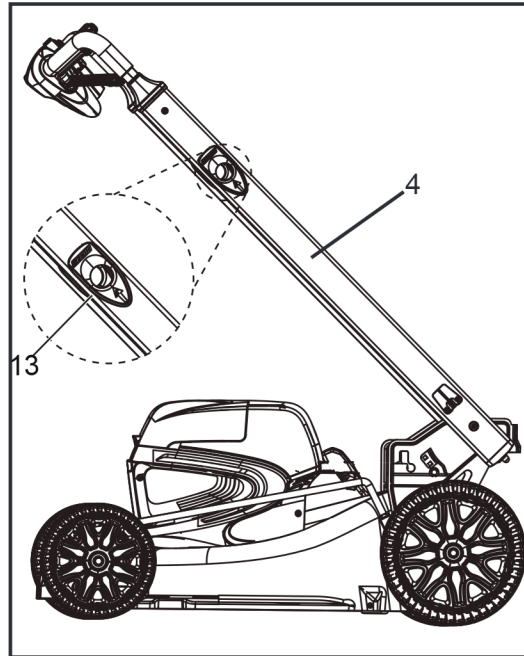


NOTICE

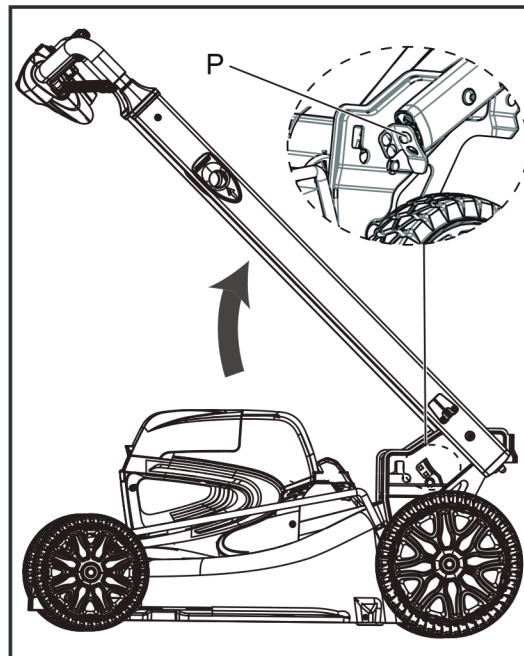
Make sure that the two handle pins are in the same position.

Unfold the Lower Handle

1. Pull up on the handle holes (13) to release the lower handles (4).



2. Fold the lower handle up until the handle pins (P) lock into position.



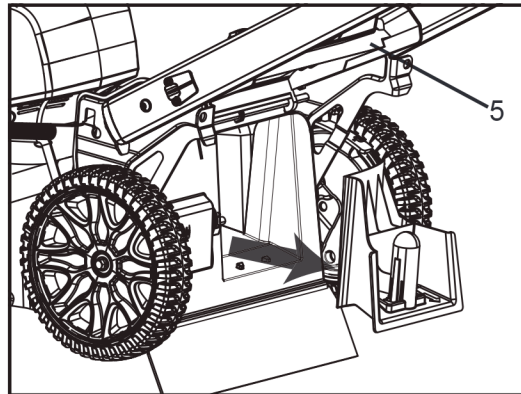
Mower Functions

In general, a lawn mower is featured with three functions (rear bagging/ mulching/ side discharging). These functions can be converted by changing accessory setting. Please see the following table for detail setting.

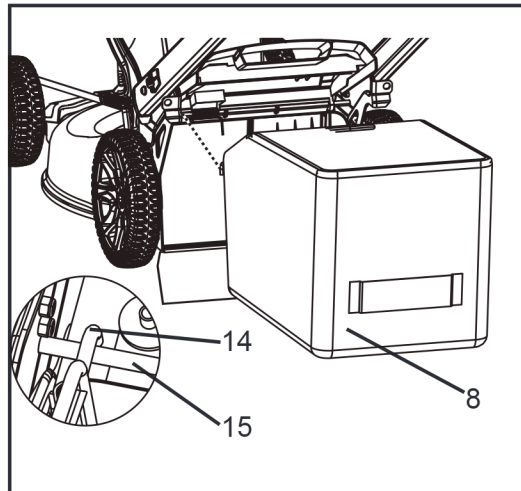
To Convert Mower	Mulch Plug	Grass Bag	Side Discharge Chute
For rear bagging	×	√	×
For mulching	√	×	×
For side discharging	√	×	√

Install the Grass Catcher

1. Remove the battery and safety key.
2. Remove the mulch plug.
3. Remove the side discharge chute.
4. Open the rear discharge door and hold it.

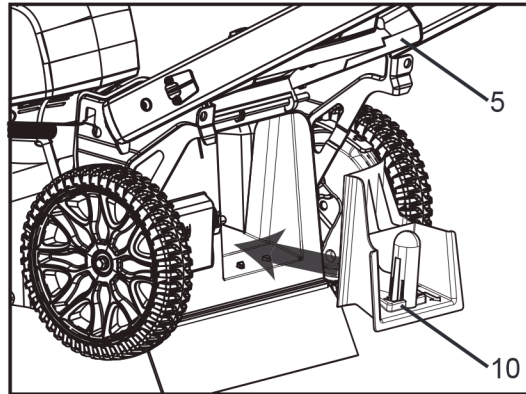


5. Hold the the grass catcher (8) by its handle and engage the hooks (14) on the door rod (15).
6. Close the rear discharge door.



Install the Mulch Plug

1. Remove the battery and safety key.
2. Remove the grass catcher.
3. Open the rear discharge door (5) and hold it.
4. Hold the mulch plug (10) by its handle and fit it in the discharge chute.
5. Close the rear discharge door.



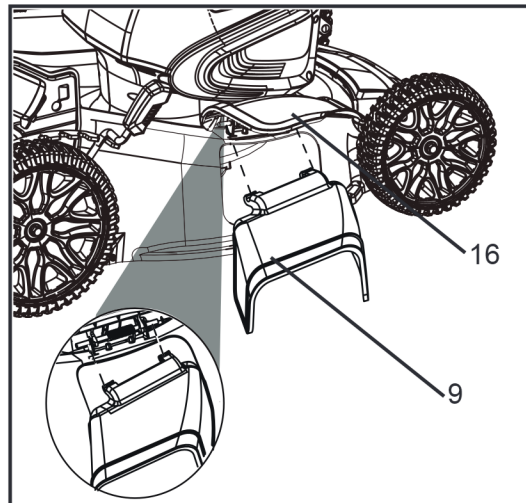
Install the Side Discharge Chute

WARNING

When you use the side discharge chute,

- ***Do not install the grass catcher.***
- ***Keep the mulch plug installed.***

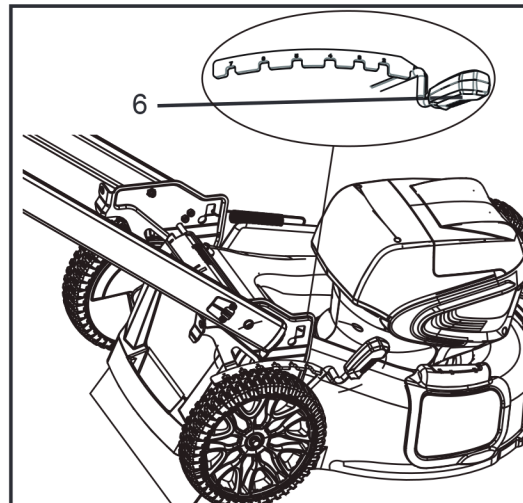
1. Remove the battery and safety key.
2. Open the side discharge door (16) and hold it.
3. Line up the recesses of the side discharge chute (9) below the pivot.
4. Close the side discharge door.



Set the Cutting Height

The machine can be set to different cutting heights.

1. Pull the height adjustment lever (6) rearward to increase the cutting height.
2. Pull the height adjustment lever forward to decrease the cutting height.



Installing and Removing the Battery

NOTICE

The machine has an automatic switch function that lets the other battery work when the first cannot operate.

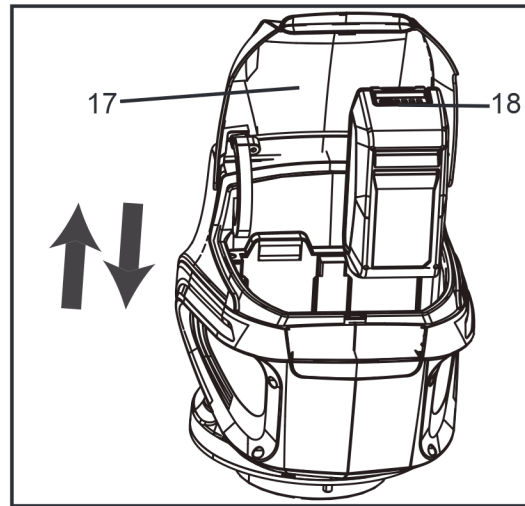
The battery comes partially charged from the factory and needs to be fully charged before first use.

Note: See separate Operator's Manual Packaged with the Battery.

Installing the Battery

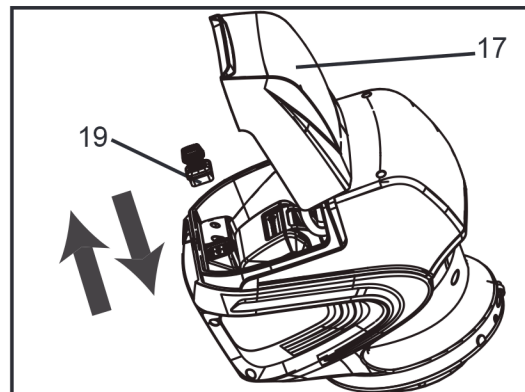
1. Lift and hold up the battery door (17).
2. Align the battery with the mower's battery port.
3. Make sure the battery release button (18) snaps in place and that battery is fully seated and secure in the mower before beginning operation.
4. Insert the safety key (19).
5. Close the battery door.

Note: The machine has an automatic switch function that lets the other battery work when the first cannot operate. Extra battery can be purchased from dealer.



Removing the Battery

1. Stop the machine.
2. Open the battery door (17).
3. Remove the safety key (19).
4. Press the battery release button (18) on the mower. This will cause the battery to raise out of the tool slightly.
5. Remove battery from the product.



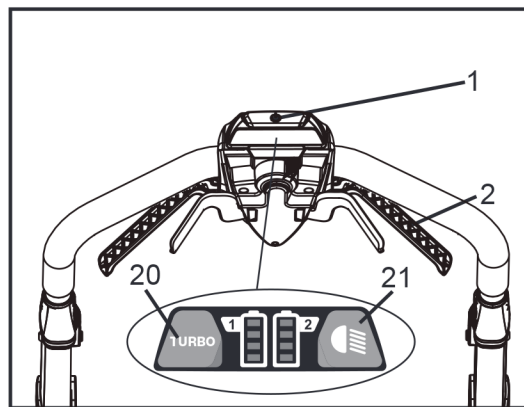
Starting the unit

WARNING

When starting the unit, observe the precautions described in the "Safety" section. Failure to observe the precautions could cause an accident or injury, or even lead to a fatality.

Wait until the blade fully stops before you start the machine again. Do not quickly turn the machine off and on.

1. Make sure safety key is inserted into slot.
2. Push and hold the start button (1).
3. While you hold the start button (1), grab the start handle (2) in the direction of the handle bar.
4. Once the machine has started, you can release the start button.
5. Press Turbo button (20) to speed up.
6. Press LED light button (21) to turn on the LED headlights.



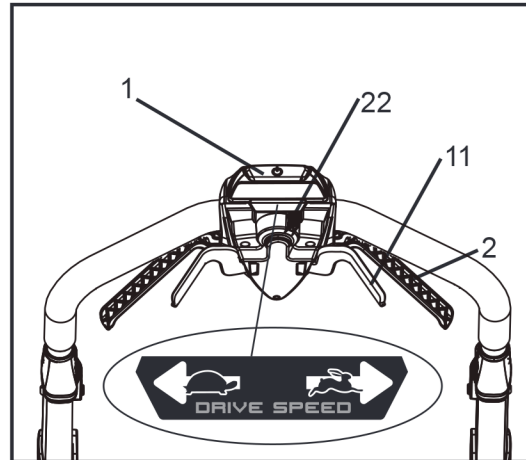
Stopping the unit

1. Release the start handle to stop the machine.

Note: Always remove the safety key and battery after you complete the work.

Self-Propel Drive System

1. Start the machine.
2. While you hold the start handles (2), grab either of the drive levers (11) and pull towards the handle bar.
3. Hold the start handles and the drive levers at the same time.
4. Release either set of start handle (2) and drive lever (11) from the same side.
5. Adjust the speed control (22) with your free hand.
 - Slide the speed control button in the direction of the Rabbit Symbol to increase the speed.
 - Pull the speed control button in the direction of the Turtle Symbol to decrease the speed.
6. Release the drive levers to disengage the self-propel system.



To engage the self-propel drive system while the mower is not running:

- Press and hold the start button (1), then pull up on the drive lever (11) or pull up on the drive lever (11), then press the start button (1).

Operate on Slopes

WARNING

Do not mow on the slopes with incline more than 15 degrees. If you are not comfortable, do not mow on a slope. Please keep a low self-propelled speed when you mow on a slope.

- Do not go up and down on a slope, mow across the face of the slope. Be careful when you change the direction on a slope.
- Monitor the holes, ruts, rocks, and other hidden objects that can cause you to fall. Remove all obstacles such as rocks and tree limbs.
- Make sure that your footing is stable. If you are out of balance, release the start handle immediately.
- Do not mow near drop-offs, ditches, or embankments.

Empty the Grass Catcher

1. Stop the machine.
2. Remove the safety key.
3. Remove the battery.
4. Open the rear discharge door and hold it.
5. Hold the grass catcher by its handle and unhook it from the door rod.
6. Close the rear discharge door.
7. Empty the grass catcher.



Operation Tips

- Do not try to override the operation of the start button or start handles.
- Do not tilt the machine when you start it.
- Do not put hands or feet near or below the turning parts.
- Keep the discharge chute clean.
- Cut wet grass will require more power and shorten run time.
- Higher blade height is necessary for new or thick grass.
- Clean the bottom of the mower deck after each use. Remove grass clippings, leaves, dirt, and other debris.

MAINTENANCE

WARNING

Moving parts can amputate fingers or cause severe injuries. Keep hands, clothing and loose objects away from all openings. Always stop motor, and make sure all moving parts have come to a complete stop before removing obstructions, clearing debris, or servicing unit. Allow unit to cool before performing service. Wear gloves to protect hands from sharp edges and hot surfaces.

WARNING

Operating a poorly maintained unit can result in serious injuries to operator or bystanders. Always follow all maintenance instructions as written, otherwise serious personal injury can result.

Your unit is designed to provide many hours of trouble free service. Regular scheduled maintenance will help your unit achieve that goal. If you are unsure or are not equipped with the necessary tools, we recommend that you take your unit to a Servicing Dealer for maintenance. To help you decide whether you want to DO-IT-YOURSELF or have the Dealer do it, each maintenance task has been graded. If the task is not listed, see your Dealer for repairs.

Skill Levels

Level 1 = Easy to do. Common tools may be required.

Level 2 = Moderate difficulty. Some specialized tools may be required.

Level 3 = See your dealer.

Maintenance Intervals

COMPONENT / SYSTEM	MAINTENANCE PROCEDURE	REQ'D SKILL LEVEL
Daily or Before Use		
Blade	Inspect / Replace *	2
Screws / Nuts / Bolts	Inspect / Tighten / Replace *	1

NOTICE - Time intervals shown are maximum. Actual use and your experience will determine the frequency of required maintenance.

MAINTENANCE PROCEDURE NOTES:

* Replacement is recommended based on the finding of damage or wear during inspection.

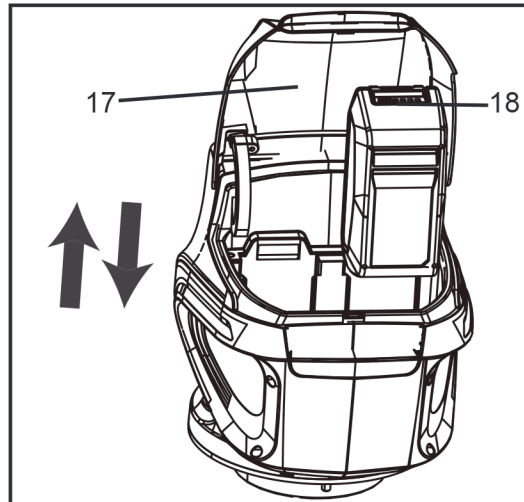
Cleaning Battery and Battery Compartment

WARNING

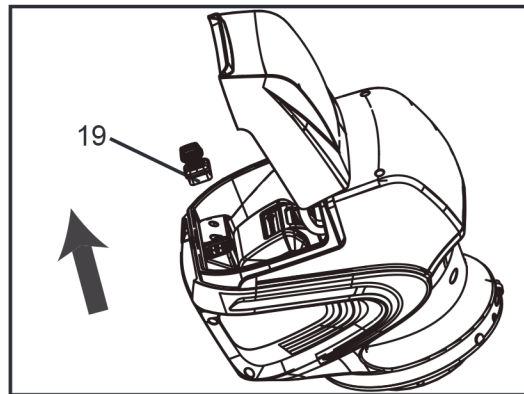
Risk of electric shock or fire. Do not use conducting materials to clean battery or battery compartment.

Remove the safety key and battery from the machine before maintenance.

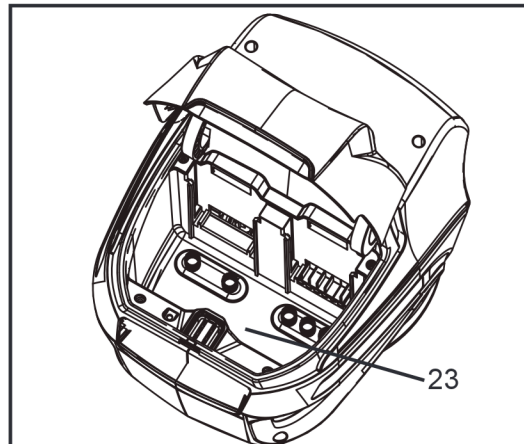
1. Open the battery door (17).
2. Depress battery release button (18) and slide battery out of battery compartment.



3. Remove the safety key (19).



4. Use compressed air or a soft bristle brush to remove debris from battery and battery compartment (23).



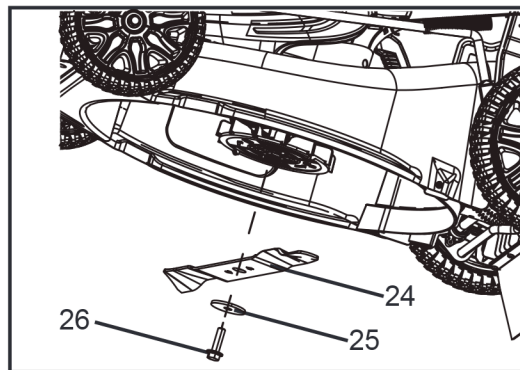
Replace The Blade

WARNING

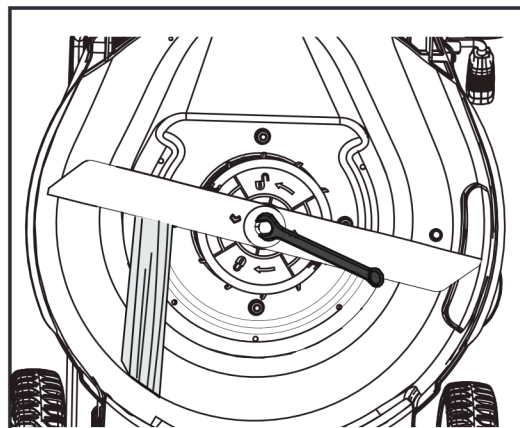
Use only approved replacement blades.

Wear heavy gloves or wind cloth around the blade when you touch the blade.

1. Stop the machine.
2. Make sure that the blade fully stops.
3. Remove the safety key and batteries.
4. Turn the machine to its side.
5. Use a piece of wood or special lawnmower blade holding tool to prevent the movement of the blade.
6. Remove the mounting bolt (26) and spacer (25) with a wrench or socket.
7. Remove the blade (24).



8. Install the new blade. Make sure the arrows on the fan engage the holes on the blade.
9. Put in the mounting bolt and spacer and tighten them. Recommended tightening torque: 33-37 Nm.



TROUBLESHOOTING

Problem	Cause	Solution
The lawn mower does not start.	The battery is not charged.	Charge the battery.
	The switch is defective.	Replace the switch (Contact an authorized dealer).
	Grass jammed between the deck and blade.	Remove battery and safety key; check under deck for jams.
	The battery is not fully inserted in the lawn mower.	Check the connection between the battery and the lawn mower. Make sure the battery clicks into place.
	Battery may require service or replacement.	Contact your dealer or replace battery.
The lawn mower cuts the grass unevenly.	The lawn is rough or uneven.	Check the mowing area.
	The cutting height is not set properly.	Move the wheels to a higher setting.
	The blade is dull.	Sharpen or replace the blade.
The lawn mower does not mulch properly.	Wet grass clippings are sticking to the underside of the deck.	Remove the battery and clean the unit. Wait until the grass dries before mowing.
	The mulching plug is missing.	Install the mulching plug.

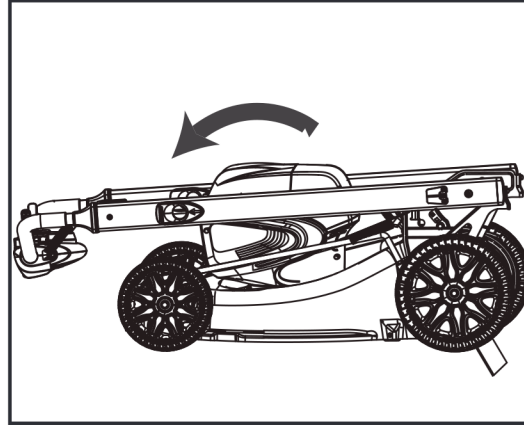
Problem	Cause	Solution
The lawn mower is hard to push.	The grass is too tall, or the cutting height is too low.	Raise the cutting height.
	The rear of the grass catcher bag is dragging in thick grass.	Empty the grass clippings from the grass catcher bag.
The lawn mower is excessively noisy and vibrates.	The motor shaft is bent.	Stop the motor, and inspect for damage. Contact your dealer for repair.
	The blade is unbalanced.	Repair before restarting. If vibration persists, contact your dealer.

STORAGE

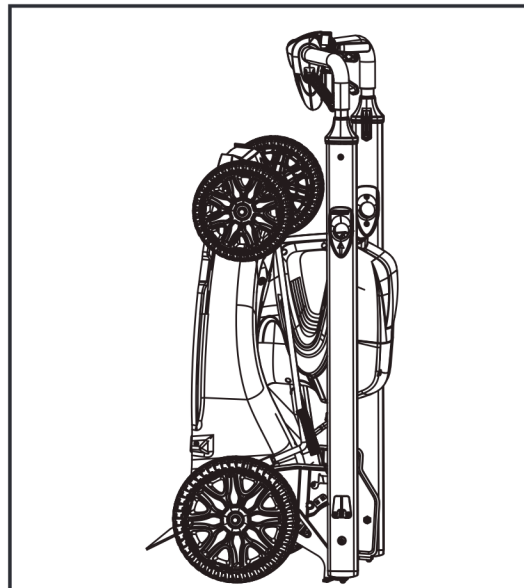
Vertical Storage

Do not store your unit without performing protective storage maintenance which includes the following:

1. Remove the grass catcher.
2. Remove the battery and safety key.
3. Pull through the handle holes to fold away the handles.



4. Lock the handles into position.
5. Stand the machine on end and make sure that the brackets touch the floor.



Storage After Use

When storing the product for long periods of time, ensure that the following preparations for storage are carried out.

Mower

Do not store your unit without performing protective storage maintenance which includes the following:

1. Turn power to unit off.
2. Remove battery from mower.
3. Remove accumulation of dirt and debris from exterior of unit.
4. Tighten all screws and nuts.
5. Close the battery door.
6. Store unit in a dry, dust-free place, out of the reach of children.

Battery

1. Remove battery from mower.
2. Store in a dry, dust-free place, out of the reach of children.
3. Store in temperatures between -4°F (-20°C) and 140°F (60°C).
4. If battery is stored for longer than six months, charge it to 100% capacity.

Charger

1. Remove battery from charger.
2. Disconnect charger from power supply.
3. Store in a dry, dust-free place, out of the reach of children.

SPECIFICATIONS

MODEL	DLM-2100SP
No-load speed	2800 RPM, 3200 RPM
Height adjustments	1 - 4" (3 - 10 cm)
Self-propelled speed	1.35 - 2.95 MPH (0.6 - 1.3 m/s)
Functions	3-in-1 Mulch & Rear Bag & Side discharge
Weight	65.48 lbs (29.7 kg)
Battery:	
Model	ECHO eFORCE™ 56V battery series batteries
Type	Li-Ion
Voltage	56 (rated 50.4)
Charger type	CCCV
Charger input voltage	120V AC 60Hz
Charger model	ECHO eFORCE™ 56V battery series charger
Charger Lights	
○ OFF ● Green blinking	Battery is charging
○ OFF ● Green	Fully charged
● Red ○ OFF	Battery is too warm: (Remove for approx.30 minutes to allow to cool)
● Red blinking ○ OFF	Defective battery: (Remove and replace with new battery if this occurs)
Charge Time	See Battery Operator's Manual

PRODUCT REGISTRATION

Thank you for choosing ECHO Power Equipment

Please go to <http://www.echo-usa.com/Warranty/Register-Your-ECHO> to register your new product online. It's FAST and EASY! NOTE: your information will never be sold or misused by ECHO, Incorporated.

Registering your purchase enables us to contact you in the unlikely event of a service update or product recall, and verifies your ownership for warranty consideration.

If you do not have access to the Internet, you can complete the form below and mail to:

***ECHO Incorporated, Product Registration, PO Box 1139,
Lake Zurich, IL 60047.***

ECHO PRODUCT REGISTRATION CARD : TARJETA DE REGISTRO : CARTE D'ENREGISTREMENT DU PRODUIT

<p>ONLINE OPTION: Register online and save a stamp! You will be alerted of product updates and/or be sent new ECHO product information and special offers. Simply go to: www.echo-usa.com</p>	<p>OPCIÓN POR INTERNET: Regístrese en la página web y ahorre una estampilla! Le alertarán sobre actualizaciones del producto y/o se le enviará información sobre los nuevos productos ECHO y las ofertas especiales. Simplemente visite: www.echo-usa.com</p>	<p>OPTION EN LIGNE : Enregistrer en ligne et épatagner un timbre! Vous serez informé sur les nouveaux produits ECHO et les mises à jour de produit ainsi que les offres spéciales. Simplement visitez le: www.echo-usa.com</p>
--	--	---

Please Print : Por Favor Enscriba Con Letra De Molde : En Lettre Carré S.V.P. Confidential: Information provided will not be shared or sold

Purchaser's Name : Nombre del Comprador : Nom de l'acheteur	
Address : Dirección : Adresse	
City : Ciudad : Ville	State : Estado : Province
Zip Code : Código Postal : Code Postal	
E-Mail Address : Dirección De Correo Electrónico : Courrier Électronique	
Phone Number : Número De Teléfono : Téléphone	Date of Purchase : Fecha de la Compra : Date de l'achat
Where Purchased : Nombre del Almacén donde fue Comprado : Lieu d'achat	
Model Number : Numero del Modelo : No. de modèle Serial Number : Numero de Serie : No. de série	

Registering your purchase enables us to contact you in the unlikely event of a service update or product recall and verifies your ownership in the event of loss. : El registrar su compra nos permite estar en contacto con usted en caso de cualquier evento como el aviso de tiempo de servicio o la revocación del producto y verificación de propiedad en caso de robo o pérdida. : L'enregistrement de votre achat nous permettra de vous contacter dans le cas improbable de modifications des instructions d'entretien ou de rappel du produit et vérifier que vous êtes le propriétaire en cas de vol ou de perte.

Primary use of tool: Professional Homeowner Rental Equip.
 Uso primario de la herramienta: Profesional Dueño de casa Alquiler
 Usage principal: Professionnel Residential Location
 Do you wish to receive periodic ECHO product information and special offers by e-mail? Yes No
 ¿Desea usted recibir información periódica y ofertas especiales por correo electrónico sobre el producto ECHO? Yes No
 Souhaitez-vous recevoir périodiquement de l'information sur les produits ECHO et les offres spéciales par courrier électronique ? Oui Non
 Did you visit the ECHO website before purchasing your product? Yes No
 Visité usted la página web ECHO antes de comprar su producto? Si No
 Avez-vous visité le site d'ECHO avant de procurer votre produit? Oui Non

What factor(s) most influenced your purchase?
 Performance Price Dealer
 Reliability Prior Experience Quality
 Friend/Family Brand Warranty
 ¿Qué factor(es) influyó más en su compra?
 Funcionamiento Precio Distribuidor
 Confiabilidad Experiencia Anterior Calidad
 Amigo/Familia Marca Garantía
 Quel facteur (facteurs) vous a influencé le plus?
 Performance Prix Marchand
 Fiabilité Expérience Qualité
 Ami/Famille Marque Garantie

ECHO INC., 400 Oakwood Rd., Lake Zurich, IL 60047
 1.800.432.ECHO WWW.ECHO-USA.COM X7572270206 02-2012



**Limited Warranty Statement for ECHO 56 Volt
Products sold in USA and Canada**

ECHO Incorporated warrants to the original retail purchaser that this ECHO brand 56 Volt outdoor product is free from defects in material and workmanship and agrees to repair or replace, at ECHO Incorporated's discretion, any defective product free of charge within these time periods from the date of purchase:

- If the product is for homeowner use:
 - Unit – 5 Years
 - Battery or charger – 2 years
- If the product is for commercial use:
 - Chainsaw – 1 year
 - All other units – 2 years
 - Battery or charger – 1 year
- If the product is for rental use: 90 days for all units, batteries, and chargers.
- Cutting attachments such as, but not limited to, bars, chains, sprockets, blades, tines, belts, PowerBroom™ and nylon trimmer heads for homeowner or non-income producing use will be covered for failures due to defects in material or workmanship for a period of 60 days from original product purchase date and 30 days for commercial / rental use. Any misuse from contact with concrete, rocks, or other structures is not covered by this warranty.

This warranty extends to the original retail purchaser only and commences on the date of the original retail purchase.

Any part of this product found in the reasonable judgment of ECHO Incorporated, to be defective in material or workmanship will be repaired or replaced without charge for parts and labor by an authorized ECHO dealer. Units, repair parts and accessories replaced under this warranty are warranted only for the balance of the original warranty period.

The product, including any defective part, must be returned to an authorized ECHO dealer within the warranty period. The expense of delivering the product to the service center for warranty work and the expense of returning it back to the owner after repair or replacement will be paid by the owner. ECHO Incorporated's, responsibility in respect to claims is limited to making the required repairs or replacements and no claim of breach of warranty shall be cause for cancellation or rescission of the contract of sale of any ECHO brand 56 Volt outdoor product. Proof of purchase will be required by the dealer to substantiate any warranty claim. All warranty work must be performed by an authorized ECHO dealer.

This warranty does not cover any product that has been subject to misuse, neglect, negligence, or accident, or that has been operated in any way contrary to the operating instructions as specified in the Operator's Manual.

This warranty does not apply to any damage to the product that is the result of improper maintenance or to any product that has been altered or modified. The warranty does not extend to repairs made necessary by normal wear or by the use of parts or accessories which are either incompatible with the ECHO brand 56 Volt outdoor product or adversely affect its operation, performance, or durability. In addition, this warranty does not cover wear to normal items such as, but not limited to:

Wear items – Bump Knobs, Outer Spools, Cutting Lines, Inner Reels, Felt Washers, Hitch Pins, Mulching Blades, Blower Fans, Blower and Vacuum Tubes, Vacuum Bag and Straps, Guide Bars, Saw Chains, Grass Catch Bag, Hedge Trimmer Blades, and Wheels

ECHO Incorporated, reserves the right to change or improve the design of this product without assuming any obligation to modify any product previously manufactured.

All implied warranties are limited in duration to the stated warranty period. Accordingly, any such implied warranties including merchantability, fitness for a particular purpose, or otherwise, are disclaimed in their entirety after the expiration of the appropriate five-year, two-year, one-year, 90-day, 60-day, or 30-day warranty period. ECHO Incorporated's obligation under this warranty is strictly and exclusively limited to the repair or replacement of defective parts. ECHO Incorporated, does not assume or authorize anyone to assume for them any other obligation. Some states do not allow limitations on how long an implied warranty lasts, so the above limitation may not apply to you. ECHO Incorporated, assumes no responsibility for incidental, consequential, or other damages including, but not limited to, expense of returning the product to an authorized dealer for ECHO brand 56 Volt outdoor products and expense of delivering it back to the owner, mechanic's travel time, telephone charges, rental of a like product during the time warranty service is being performed, travel, loss or damage to personal property, loss of revenue, loss of use of the product, loss of time, or inconvenience. Some states do not allow the exclusion or limitation of incidental or consequential damages, so the above limitation or exclusion may not apply to you.

This warranty gives you specific legal rights, and you may also have other rights which vary from state to state.

This warranty applies to all ECHO brand 56 Volt outdoor products manufactured by or for ECHO Incorporated, and sold in the United States and Canada.

To locate your nearest authorized ECHO dealer, visit www.ECHO-usa.com or dial 1-800-432-ECHO (3246).

NOTES

405LMS000001 - 405LMS999999



ECHO INCORPORATED

400 Oakwood Road

Lake Zurich, IL 60047

www.echo-usa.com



Manuel d'utilisation DLM-2100SP Tondeuse

AVERTISSEMENT

*Ce produit contient un produit chimique connu dans l'état de Californie comme étant une cause de cancer, de malformations congénitales ou d'autres problèmes de reproduction.
Cancer et troubles de reproduction www.P65Warnings.ca.gov*

AVERTISSEMENT



*Lisez et comprenez toute la documentation fournie avant utilisation.
Le non-respect de cette consigne peut entraîner des blessures corporelles.*

TABLE DES MATIÈRES

Introduction.....	3
Renseignements sur l'entretien	3
Pièces / Numéro de série	3
Service.....	4
Soutien ECHO pour les produits grand public.....	4
Enregistrement du produit	4
Documentation supplémentaire.....	4
Liste du contenu d'emballage.....	4
Sécurité	5
Symboles internationaux	6
Avertissements de sécurité relatifs aux tondeuses à gazon.....	7
Élimination de la batterie sans danger pour l'environnement.....	14
Description.....	16
Préparation pour l'utilisation	16
Operation.....	22
Démarrage de l'unité	22
Arrêt de l'unité.....	22
Système de commande de vitesse automotrice.....	23
Utilisation sur les pentes.....	24
Vidange du sac à herbe.....	24
Conseils d'utilisation	25
Maintenance.....	25
Nettoyage de la batterie et du compartiment à batterie.....	27
Remplacement de la lame.....	28
Dépannage	29
Stockage.....	31
Stockage vertical	31
Entreposage après l'utilisation.....	32
Spécifications	33
Enregistrement du produit	34
Garantie.....	36

INTRODUCTION

Les spécifications, les descriptions et les illustrations de cette documentation sont aussi précises que connues au moment de la publication, mais sont susceptibles d'être modifiées sans préavis. Les illustrations peuvent inclure des équipements et des accessoires en option, et peuvent ne pas inclure tous les équipements standard.



Lisez et comprenez toute la documentation fournie. La documentation contient des spécifications et des renseignements relatifs à la sécurité, au fonctionnement, à l'entretien, au stockage et à l'assemblage spécifiques à ce produit. Numérisez les codes QR pour obtenir plus de renseignements.



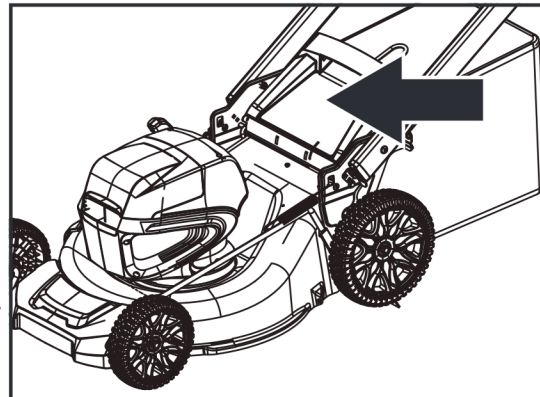
Pour obtenir de la documentation supplémentaire, y compris les manuels de sécurité, le cas échéant, ou pour toute question concernant les termes utilisés dans ce manuel, visitez le site <https://www.echo-usa.com/manuals>.



RENSEIGNEMENTS SUR L'ENTRETIEN

Pièces / Numéro de série

Les pièces et les assemblages d'origine ECHO pour vos produits ECHO sont disponibles uniquement auprès d'un revendeur ECHO agréé. Lorsque vous avez besoin d'acheter des pièces, ayez toujours le numéro de modèle et le numéro de série de l'appareil avec vous. À titre de référence future, écrivez-les dans l'espace prévu ci-dessous.



N° de modèle _____

Numéro de série. _____

LISTE DU CONTENU DE L'EMBALLAGE DLM-2100SP

Service

L'entretien de ce produit pendant la période de garantie doit être effectué par un revendeur agréé ECHO. Pour obtenir le nom et l'adresse du revendeur agréé ECHO le plus proche de chez vous, demandez à votre revendeur ou appelez : 1-800-432-ECHO (3246). Des renseignements sur les revendeurs sont également disponibles sur notre site Web à l'adresse www.echo-usa.com. Lorsque vous présentez votre appareil pour un entretien ou une réparation sous garantie, une preuve d'achat est requise.

Soutien aux produits de consommation ECHO

Si vous avez besoin d'aide ou des questions concernant l'application, le fonctionnement ou l'entretien de ce produit, appelez le service de soutien des produits aux consommateurs d'ECHO au 1 800 432-ECHO (3246), de 8 h 00 à 17h00 (norme centrale horaire), du lundi au vendredi. Avant d'appeler, veuillez connaître le modèle et le numéro de série de votre appareil.

Enregistrement du produit

Enregistrez votre équipement ECHO en ligne à l'adresse www.echo-usa.com ou en remplissant la fiche d'enregistrement du produit incluse dans ce manuel. L'enregistrement de votre produit confirme la couverture de la garantie et fournit un lien direct vers ECHO si nous jugeons nécessaire de vous contacter.

Documentation supplémentaire

En plus de trouver des renseignements en ligne, des renseignements sont disponibles auprès de votre revendeur agréé ECHO ou en communiquant avec ECHO Incorporated, 400 Oakwood Road, Lake Zurich, IL 60047, 1 800 432-ECHO (3246).

LISTE DU CONTENU DE L'EMBALLAGE

Le produit ECHO que vous avez acheté a été pré-assemblé en usine pour votre commodité. En raison des restrictions d'emballage, certains assemblages peuvent être nécessaires.

Après avoir ouvert le carton, vérifiez qu'il n'est pas endommagé. Informez immédiatement votre revendeur ou revendeur ECHO des pièces endommagées ou manquantes. Utilisez la liste de contenu pour vérifier les pièces manquantes.

- 1 Tondeuse
- 1 Manuel d'utilisation
- 1 Goulotte d'éjection latérale
- 1 Sac à herbe
- 1 Bouchon de déchiquetage

Symboles de sécurité du manuel et renseignements importants

Tout au long de ce manuel et sur le produit lui-même, vous trouverez des alertes de sécurité et des messages d'information utiles précédés de symboles ou de mots clés. Ce qui suit est une explication de ces symboles et mots clés et de ce qu'ils signifient pour vous.

DANGER

Le symbole d'alerte de sécurité accompagné du mot « DANGER » attire l'attention sur un acte ou une situation qui ENTRAÎNERA des blessures graves ou la mort s'il n'est pas évité.

AVERTISSEMENT

Le symbole d'alerte de sécurité accompagné du mot « AVERTISSEMENT » attire l'attention sur un geste ou une situation qui PEUT entraîner des blessures corporelles graves ou la mort s'il n'est pas évité.

ATTENTION

Le symbole d'alerte de sécurité accompagné du mot « ATTENTION » attire l'attention sur un acte ou une situation qui pourrait entraîner des blessures mineures ou modérées s'il n'est pas évité.

AVIS

Le message ci-joint fournit les renseignements nécessaires à la protection de l'appareil.

Remarque : Ce message ci-joint fournit des conseils pour l'utilisation, l'entretien et la maintenance de l'appareil.
















SYMBOLE CERCLE ET BARRE

Ce symbole signifie que l'action spécifique indiquée est interdite. Le non-respect de ces interdictions peut entraîner des blessures graves ou mortelles.

Symboles internationaux

Certains des symboles suivants peuvent être utilisés sur ce produit. Veuillez les étudier et apprendre leur signification. Une bonne interprétation de ces symboles vous permettra de mieux utiliser le produit et de manière plus sécuritaire.

Symbole	Description	Symbole	Description
	AVERTISSEMENT! Lisez et suivez toutes les précautions de sécurité dans le manuel de l'opérateur. Le non-respect des instructions peut entraîner des blessures graves.		Soyez particulièrement prudent sur les pentes. Ne tondez pas sur une pente inclinée à plus de 15°.
	Alerte de sécurité		Ne pas ouvrir ou retirer les dispositifs de sécurité lorsque l'outil est en marche.
	Portez toujours des lunettes de protection avec écrans latéraux conformes à la norme ANSI Z87.1 lorsque vous utilisez cet équipement.		Regardez d'abord vers le bas et vers l'arrière pour éviter de trébucher lorsque vous tirez vers l'arrière.
	Ne pas exposer la machine à la pluie ou à l'humidité.		Courant direct
	Retirez les objets qui peuvent être projetés par la lame dans n'importe quelle direction.		Volts
	Tous les visiteurs doivent être tenus à bonne distance de la zone de travail.	 	Pour réduire les risques de blessures, éloignez les mains et les pieds des pièces en mouvement. Ne pas faire fonctionner à moins que le couvercle de décharge ou le sac d'herbe ne soit à sa place appropriée. S'il est endommagé, remplacez-le immédiatement.
	Élimination des batteries sans danger pour l'environnement		

SÉCURITÉ

Avertissements de sécurité relatifs aux tondeuses à gazon

AVERTISSEMENT

Cette machine a été fabriquée pour être utilisée conformément aux consignes de sécurité qui figurent dans ce manuel. Comme avec tout autre type d'équipement motorisé, la négligence ou une erreur de la part de l'utilisateur peut provoquer des blessures graves. Cette machine est capable d'amputer les mains et les pieds et de projeter des objets. Le non-respect de toutes les consignes de sécurité peut entraîner des blessures graves, voire mortelles.

Lorsque vous utilisez une tondeuse à gazon électrique, des précautions de sécurité de base doivent toujours être prises pour réduire les risques d'incendie, de choc électrique et de blessures corporelles. Ces précautions de base comprennent ce qui suit :

Les enfants et les curieux

Des accidents tragiques peuvent se produire si l'opérateur ne fait pas attention à la présence des enfants ou des curieux.

- Garder la zone d'opération à l'écart de toute personne, en particulier les jeunes enfants et les animaux domestiques.
- Soyez extrêmement prudent lorsque vous approchez un angle mort, une porte, un arbuste, un arbre ou tout autre objet qui pourrait obscurcir votre vision d'un enfant ou d'un curieux. Gardez les enfants, les curieux, les assistants et les animaux domestiques à au moins 30 m (100 pi) de la tondeuse lorsqu'elle est en marche. Arrêtez la machine si quelqu'un s'approche.
- Ne permettez jamais à des enfants de moins de 14 ans d'utiliser une tondeuse électrique. Les opérateurs âgés de 14 ans et plus doivent lire et comprendre le manuel d'opérateur et les règles de sécurité. Seules les personnes responsables et qui connaissent ces règles de sécurité doivent être autorisées à utiliser cette machine.

Fonctionnement

- Lisez attentivement ce manuel d'opérateur dans son intégralité avant d'assembler ou d'utiliser cette machine. Avant de démarrer, veuillez lire, comprendre et suivre toutes les instructions présentes dans le manuel d'utilisation et sur la machine. Familiarisez-vous avec les commandes et l'utilisation correcte de cette machine avant de l'utiliser. Conservez ce manuel pour référence future et régulière.
- N'utilisez la tondeuse à gazon que pour les travaux auxquels elle est destinée. Votre tondeuse à gazon a été conçue pour effectuer un seul travail : couper l'herbe.
- N'essayez jamais de régler la hauteur des roues lorsque le moteur est en marche.
- Ne forcez pas la tondeuse à gazon; elle fera le travail mieux et de façon plus sécuritaire au rythme pour lequel elle a été conçue.
- Ne vous penchez pas trop, gardez un bon équilibre en tout temps. De nombreuses blessures surviennent lorsque la tondeuse est tirée sur le pied lors d'une chute causée par un glissement ou un trébuchement. Faites attention de ne pas glisser et de ne pas tomber pour éviter des blessures graves. Si vous sentez que vous perdez l'équilibre, relâchez immédiatement le guidon et la lame s'arrêtera de tourner dans les trois secondes.
- Inspectez soigneusement l'endroit où la tondeuse doit être utilisée et enlevez toutes les pierres, les bâtons, les fils, les os de chien et autres objets étrangers.
- Évitez tout démarrage accidentel. Assurez-vous que l'interrupteur est en position d'arrêt avant de brancher la batterie ou de soulever ou de transporter la tondeuse. Transporter la tondeuse avec un doigt sur l'interrupteur ou alimenter une tondeuse dont l'interrupteur est en marche risque de provoquer des accidents.
- Ne tirez jamais la tondeuse vers vous lorsque vous marchez. Si vous devez reculer la tondeuse loin d'un mur ou d'un obstacle, regardez d'abord vers le bas et derrière vous pour éviter de trébucher, puis suivez ces étapes :
 1. Éloignez-vous de la tondeuse pour allonger complètement vos bras.
 2. Assurez-vous de rester bien en équilibre.
 3. Tirez lentement sur la tondeuse.
- Retirez la batterie de la tondeuse avant d'effectuer des réglages, de changer d'accessoires ou de ranger l'appareil. De telles mesures de sécurité préventives réduisent le risque d'un démarrage accidentel de la tondeuse.
- Avant de reculer et lorsque vous reculez avec la tondeuse, regardez derrière vous et vers le bas pour voir s'il y a de jeunes enfants ou d'autres personnes.

- N'utilisez pas la tondeuse si vous êtes sous l'influence d'alcool ou de drogues. Restez vigilant et faites attention à ce que vous faites en tout temps. Faites preuve de bon jugement et n'utilisez pas la tondeuse si vous êtes fatigué.
- Portez toujours des lunettes de sécurité ou des lunettes de protection pendant l'utilisation et lors d'un ajustement ou d'une réparation pour protéger vos yeux. Les objets projetés qui ricochent peuvent causer de graves blessures aux yeux. Utilisez toujours un masque facial ou un masque anti-poussière si l'opération est poussiéreuse.
- En tout temps, se tenir à l'écart de l'ouverture de déchargement. Ne placez jamais vos mains ou vos pieds près d'une pièce en mouvement ou sous le plateau de coupe. La lame en mouvement peut amputer les mains et les pieds.
- Planifiez votre tracé de tonte de manière à éviter tout déversement de matériaux vers les routes, les trottoirs, les passants et autres endroits semblables. De plus, évitez de décharger le produit contre des murs ou des obstructions, ce qui pourrait faire ricocher le produit déchargé vers l'opérateur.
- Pour éviter la lame ou une blessure par un objet projeté, restez dans la zone de l'opérateur derrière les guidons.
- Un couvercle de décharge manquant ou endommagé peut causer un contact avec la lame ou des blessures causées par des objets projetés.
- Les objets heurtés par la lame de la tondeuse à gazon peuvent causer de graves blessures aux personnes. Le gazon doit toujours être soigneusement examiné et débarrassé de tout objet avant chaque tonte.
- Arrêtez la lame lorsque vous traversez des chemins de gravier, des chemins ou des routes.
- Suivez toutes les instructions de recharge et ne rechargez pas la batterie ou la tondeuse en dehors de la plage de température spécifiée dans ces instructions. Un rechargement incorrect ou à des températures en dehors de la plage spécifiée peut endommager la batterie et augmenter le risque d'incendie.
- Si la tondeuse heurte un corps étranger, procédez comme suit :
 1. Relâchez l'interrupteur d'arrêt d'urgence pour désengager le moteur.
 2. Retirez la batterie.
 3. Vérifiez qu'elle n'est pas endommagée.
 4. Réparez toutes les pièces endommagées avant de redémarrer et d'utiliser la tondeuse à gazon.
- Habillez-vous correctement; ne portez pas de vêtements amples ou de bijoux qui pourraient se coincer dans les pièces en mouvement. Le port de gants de sécurité et de chaussures appropriées est recommandé pour travailler à l'extérieur. Portez des chaussures de travail robustes à semelle rugueuse et des pantalons et des chemises bien ajustés. Une chemise et un pantalon qui protègent les bras et les jambes et des chaussures à bout d'acier sont recommandés. N'utilisez jamais cette machine pieds nus, en sandales, en chaussures glissantes ou légères (par ex., en toile).

- Portez un couvre-chef protecteur pour contenir les cheveux longs.
- Évitez les environnements dangereux; n'utilisez pas la tondeuse à gazon dans des endroits humides ou mouillés ou s'il pleut.
- Rangez les tondeuses inutilisées à l'intérieur. Lorsqu'elle n'est pas utilisée, la machine doit être entreposée à l'intérieur, dans un endroit sec, surélevé ou verrouillé, hors de portée des enfants. Retirez toujours la batterie de la tondeuse avant de la ranger.
- Ne tondez qu'à la lumière du jour ou sous une bonne lumière artificielle. Marchez, ne courez jamais pendant l'opération.
- Si la tondeuse commence à vibrer anormalement, arrêtez immédiatement le moteur, retirez la batterie et vérifiez la cause. Les vibrations sont généralement un avertissement indiquant que la tondeuse ne fonctionne pas correctement.
- Vérifiez fréquemment la détérioration et l'usure du sac et remplacez les sacs usés. Vérifiez que les sacs de remplacement sont conformes aux recommandations ou aux spécifications du fabricant d'origine.
- Avant de nettoyer la tondeuse, de déboucher ou d'enlever le sac à herbe, le dispositif de déchiquetage ou la goulotte d'éjection latérale, arrêtez le moteur et attendez que la lame s'arrête complètement, puis retirez la batterie. La lame continue à tourner pendant quelques secondes après que le moteur s'est éteint. N'exécutez jamais ces fonctions tant que vous n'êtes pas sûr que la lame ne tourne plus.
- N'utilisez jamais la tondeuse sans le couvercle de décharge, le sac à herbe, le bouchon de déchiquetage, la goulotte d'éjection latérale ou tout autre dispositif de sécurité approprié en place et en fonctionnement. N'utilisez jamais la tondeuse si ses dispositifs de sécurité sont endommagés. Le non-respect de cette consigne peut entraîner des blessures corporelles.
- Utilisez uniquement des batteries et des chargeurs ECHO eFORCE™ de 56 V. Les autres batteries et chargeurs peuvent endommager la tondeuse ou blesser l'utilisateur.
- Ne jetez pas la batterie au feu. Les cellules peuvent s'enflammer. Consultez les codes locaux et la gestion des déchets pour connaître les instructions d'élimination appropriées.
- Lorsque la batterie n'est pas utilisée, éloignez-la d'autres objets métalliques comme des trombones, des pièces de monnaie, des clés, des clous, des vis ou d'autres petits objets métalliques qui peuvent établir une connexion d'un terminal à un autre. Le court-circuitage des bornes de la batterie peut provoquer des brûlures ou un incendie.
- Ne tentez pas d'ouvrir ni de détruire la batterie. Les électrolytes contenus dans la batterie sont corrosifs et peuvent causer des dommages aux yeux ou à la peau s'ils sont rejetés. L'électrolyte peut être toxique lorsqu'elle est avalée.

- Dans des conditions abusives, du liquide peut être éjecté de la batterie; évitez tout contact. En cas de contact accidentel, rincez avec de l'eau. En cas de contact avec les yeux, consultez également un médecin. Le liquide s'échappant des batteries peut causer des irritations ou des brûlures.
- N'exposez pas une batterie ou un outil au feu ou à une température excessive. L'exposition au feu ou à une température supérieure à 130°C peut provoquer une explosion.
- Manipulez les batteries avec la plus grande prudence afin d'éviter de court-circuiter la batterie avec des matériaux conducteurs tels que bagues, bracelets, clés, etc. La batterie ou le conducteur peut surchauffer et provoquer des brûlures en cas de contact avec ces matériaux.
- N'utilisez pas une batterie ou un outil endommagé ou modifié. Les batteries endommagées ou modifiées peuvent présenter un fonctionnement imprévisible et provoquer un incendie, une explosion ou un risque de blessure.

Service/Entretien

- Vérifiez fréquemment que la lame et les boulons de fixation du moteur sont bien serrés.
- Remplacez la lame si elle est pliée ou fissurée. Une lame déséquilibrée provoque des vibrations qui pourraient endommager l'unité d'entraînement du moteur ou causer des blessures corporelles.
- Gardez tous les écrous, boulons et vis serrés pour vous assurer que l'outil est en état de fonctionnement sécuritaire.
- Ne lavez pas avec un tuyau d'arrosage; évitez de mettre de l'eau dans le moteur et les connexions électriques.
- Ne jamais retirer ou modifier les dispositifs de sécurité. Vérifiez régulièrement leur bon fonctionnement. Ne jamais faire quoi que ce soit qui puisse interférer avec le fonctionnement prévu d'un dispositif de sécurité ou réduire la protection offerte par un dispositif de sécurité.
- Débarrassez la tondeuse des brins d'herbe, feuilles et d'autres débris qui pourraient s'y accumuler. Laissez la tondeuse se refroidir avant l'entreposage.
- N'effectuez jamais de réglages ou de réparations quand le moteur est en marche.
- Retirez toujours la batterie de la tondeuse avant de procéder au réglage, au nettoyage ou à la réparation.
- Vérifiez fréquemment les éléments du sac arrière et le dispositif de protection de la décharge et les remplacer au besoin par les pièces recommandées par le fabricant.

- Affûtez une lame émoussée de façon égale à chaque extrémité pour maintenir l'équilibre.
- Gardez les gardes protectrices en place et en bon état de fonctionnement. Les lames de la tondeuse sont tranchantes et peuvent blesser. Enveloppez la lame avec un chiffon ou portez des gants et faites très attention en la manipulant.
- Nettoyez soigneusement la lame et vérifiez son équilibre en la soutenant horizontalement sur un clou fin par son trou central. Le clou doit être également dans une position horizontale. Si l'une ou l'autre extrémité de la lame tourne vers le bas, enlevez un peu de métal de l'extrémité lourde ou inférieure jusqu'à ce que la lame soit équilibrée. Elle est équilibrée lorsque aucune des deux extrémités ne tombe.
- Utilisez seulement des lames de rechange identiques.
- Entretenez soigneusement la tondeuse. Gardez les bords de coupe tranchants et propres pour une performance optimale et plus sûre. Suivez les instructions pour lubrifier et changer les accessoires. Inspectez périodiquement le cordon de la tondeuse. S'il est endommagé, faites-le réparer par un réparateur agréé.
- En cas de situations qui ne sont pas couvertes dans ce manuel, faites preuve de prudence et de bon jugement ou contactez le Service à la clientèle pour obtenir de l'aide.
- N'utilisez jamais la tondeuse sans les protections, les plaques ou d'autres dispositifs de protection de sécurité appropriés en place.
- Avant chaque utilisation, vérifiez que la machine ne contient pas de pièces endommagées, manquantes ou desserrées, telles que vis, écrous, boulons et capuchons.
- Serrez correctement toutes les fixations et les capuchons.
- Nettoyez la machine avec un chiffon sec. N'utilisez pas de l'eau.
- Faites effectuer l'entretien par un réparateur qualifié en n'utilisant que des pièces de rechange identiques. Cela garantira le maintien de la sécurité du produit.
- Ne modifiez pas ou n'essayez pas de réparer la tondeuse ou la batterie (selon le cas) sauf en conformité avec les instructions d'utilisation et d'entretien indiquées dans ce manuel.
- Ne réparez jamais les batteries endommagées. L'entretien des batteries ne doit être effectué que par le fabricant ou des prestataires de services agréés.

La plage de température ambiante recommandée :

Article	Température
Plage de température d'entreposage de la tondeuse	32 F (0 C) ~ 113 F (45 C)
Plage de température de fonctionnement de la tondeuse	32 F (0 C) ~ 113 F (45 C)
Plage de température de rechargement de la batterie	39 °F (4 °C) ~ 104 °F (40 °C)
Plage de température de fonctionnement du chargeur	39 °F (4 °C) ~ 104 °F (40 °C)
Plage de température d'entreposage de la batterie	32 F (0 C) ~ 113 F (45 C)
Plage de température de déchargement de la batterie	32 F (0 C) ~ 113 F (45 C)

Utilisation sur une pente

Les pentes sont un facteur majeur lié aux accidents de glissade et de chute, qui peuvent entraîner des blessures graves. L'utilisation sur les pentes exige une prudence supplémentaire. Si vous vous sentez mal à l'aise sur une pente, ne tondez pas du gazon.

À faire :

- Tondez sur la face des pentes ; ne tondez jamais de haut en bas. Faites très attention en changeant de direction sur une pente.
- Surveillez les trous, les racines, les pierres, les objets cachés ou les bosses qui peuvent vous faire glisser ou trébucher. Les herbes hautes peuvent masquer des obstacles. Retirez tous les obstacles tels que les rochers et les branches d'arbre.
- Assurez-vous que vous êtes bien campé et en équilibre. Si vous perdez l'équilibre, relâchez immédiatement l'interrupteur.

À ne pas faire :

- Tondre près d'un dénivellement prononcé, d'un fossé ou du rebord d'un talus; vous pourriez perdre pied ou perdre l'équilibre.
- Tondre dans une pente de plus de 15 degrés.
- Tondre du gazon mouillé ou humide. L'instabilité de la posture au sol peut provoquer des glissements.

**AVERTISSEMENT**

Si vous n'êtes pas à l'aise, ne tondez pas sur une pente. Lorsque vous tondez sur une pente à l'aide d'une tondeuse automotrice, veillez toujours à maintenir une faible vitesse automotrice.

Élimination des batteries sans danger pour l'environnement

Les matières toxiques et corrosives ci-dessous se trouvent dans les batteries utilisées dans cette machine : Lithium-ion, une substance toxique.

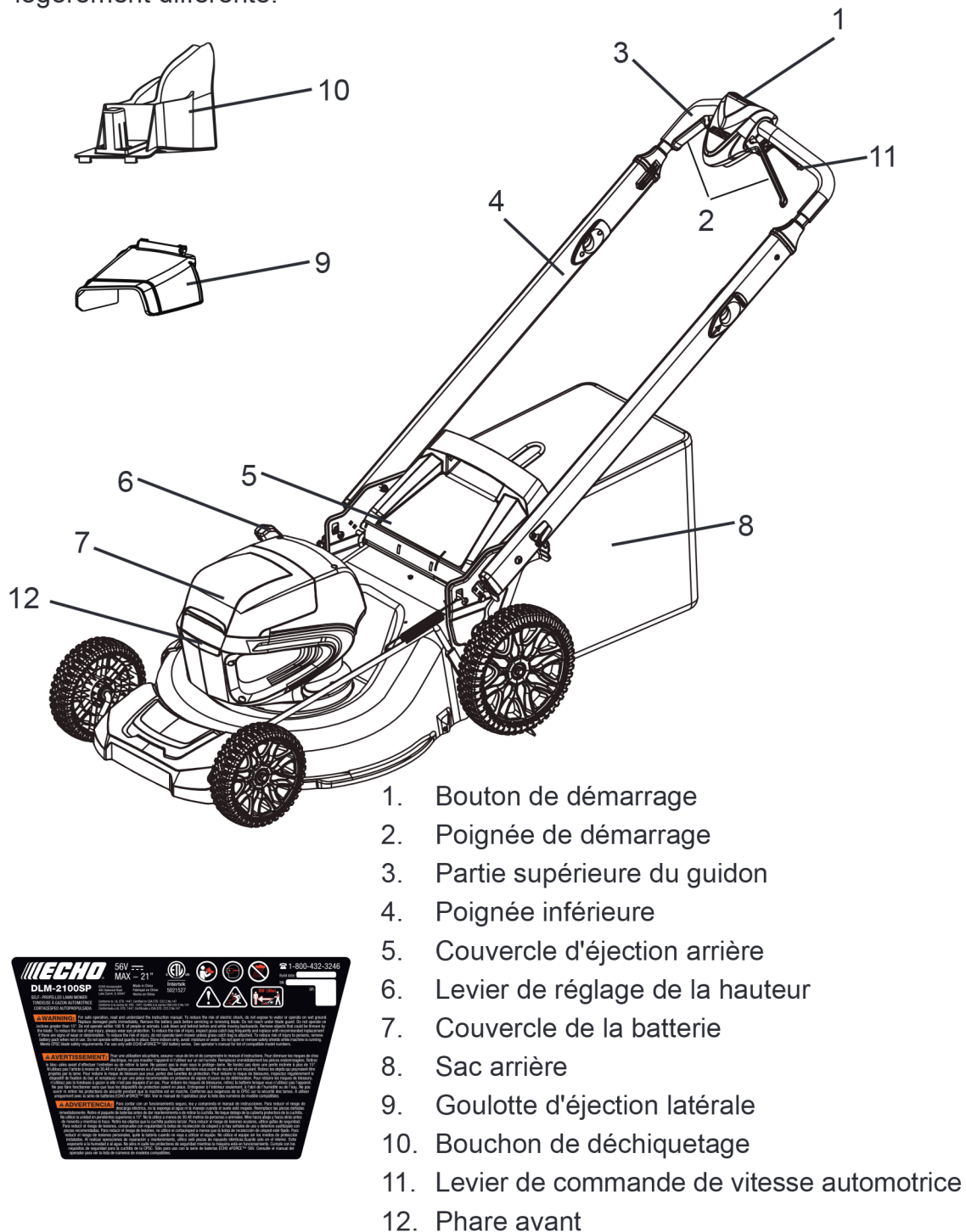
Éliminez toutes les substances toxiques d'une manière spécifiée afin de prévenir la contamination de l'environnement. Avant de jeter une batterie au lithium-ion endommagée ou usée, contactez votre agence locale d'élimination des déchets ou l'agence locale de protection de l'environnement pour obtenir des informations et des instructions spécifiques. Apportez les batteries à un centre local de recyclage ou d'élimination certifié pour l'élimination de batteries au lithium-ion.

Si la batterie se fissure ou se casse, avec ou sans fuite, ne la rechargez pas et ne l'utilisez pas. Jetez-la et remplacez-la par une nouvelle batterie. **N'ESSAYEZ PAS DE LA RÉPARER !** Pour prévenir les blessures et les risques d'incendie, d'explosion ou de décharge électrique, et pour éviter tout dommage à l'environnement :

- Couvrez les bornes de la batterie avec du ruban adhésif résistant.
- N'essayez PAS de retirer ou de détruire l'un des composants de la batterie.
- N'essayez PAS d'ouvrir la batterie.
- En cas de fuite, les électrolytes rejetés sont corrosifs et toxiques. NE laissez PAS entrer la solution dans les yeux ou en contact avec la peau et ne l'avalez pas.
- NE PAS jeter vos batteries usagées dans votre poubelle à ordures ménagères.
- N'incinerez PAS les batteries.
- NE LES Mettez PAS dans un endroit où ils feront partie d'un site d'enfouissement de déchets ou d'un flux de déchets solides municipaux.
- Emmenez-les dans un centre de recyclage ou d'élimination certifié.

DESCRIPTION

Repérez les étiquettes de sécurité sur votre appareil. Assurez-vous que l'étiquette ou les étiquettes sont lisibles et que vous comprenez et suivez les instructions qui s'y trouvent. Si une étiquette ne peut pas être lue, une nouvelle peut être commandée auprès de votre revendeur ECHO. L'étiquette de sécurité est à titre d'exemple seulement. Votre étiquette peut apparaître légèrement différente.



1. Bouton de démarrage
2. Poignée de démarrage
3. Partie supérieure du guidon
4. Poignée inférieure
5. Couvercle d'éjection arrière
6. Levier de réglage de la hauteur
7. Couvercle de la batterie
8. Sac arrière
9. Goulotte d'éjection latérale
10. Bouchon de déchetage
11. Levier de commande de vitesse automotrice
12. Phare avant



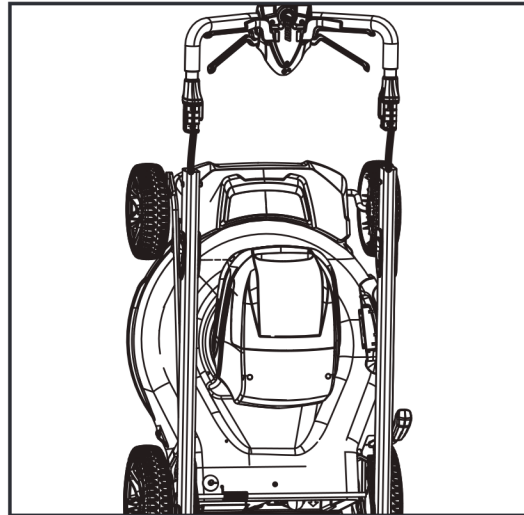
Préparation à l'utilisation

AVIS

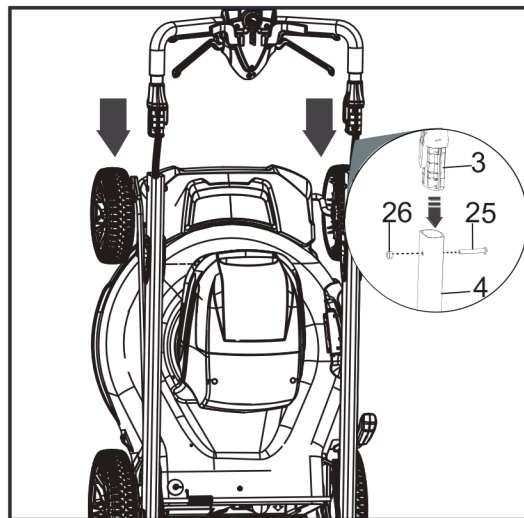
Veillez à ne pas endommager le câble alors que vous installez la poignée supérieure.

Installer la poignée supérieure

1. Placer la tondeuse en position verticale.
2. Retirez le matériel d'emballage du câble.
3. Retirez le garde-bord en caoutchouc de la poignée supérieure.



4. Insérez la poignée supérieure (3) dans la poignée inférieure (4).
5. Insérez les boulons (25) dans les trous, puis serrez-les avec les écrous (26) à l'aide d'un tournevis (non fourni).

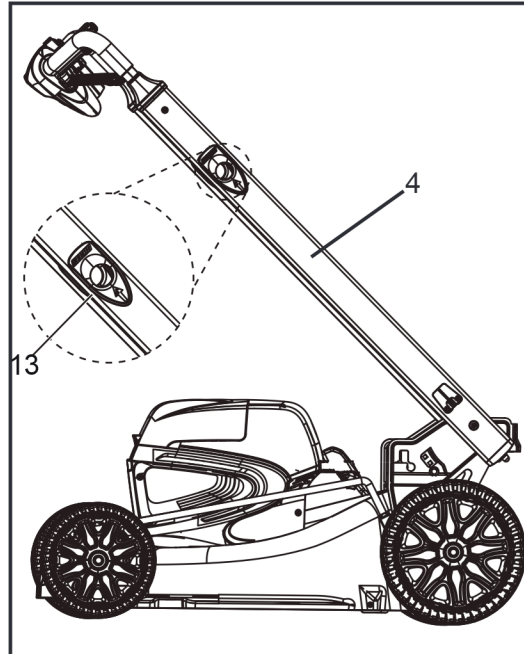


AVIS

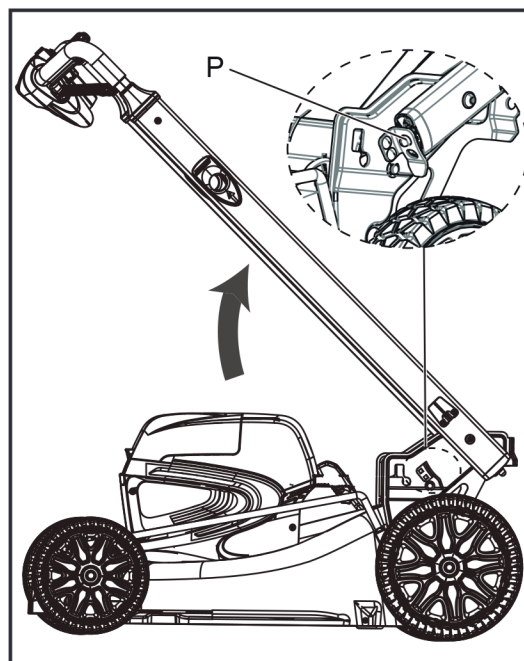
Assurez-vous que les deux goupilles de poignée sont dans la même position.

Déployer la poignée inférieure

1. Tirez les trous de la poignée (13) vers le haut pour dégager les poignées inférieures (4).



2. Relevez la poignée inférieure jusqu'à ce que les goupilles de poignée (P) se verrouillent en place.



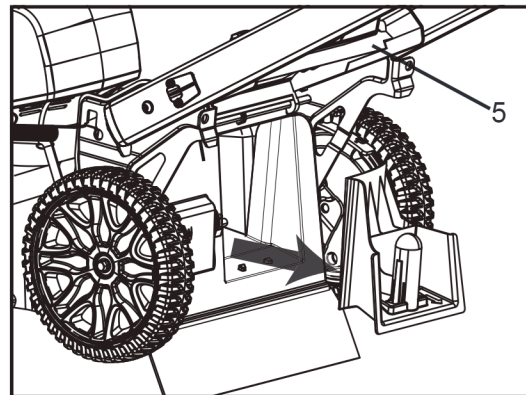
Fonctions de la tondeuse

En général, une tondeuse à gazon est dotée de trois fonctions (ensachage arrière, déchiquetage ou déchargement latéral). Ces fonctions peuvent être converties en modifiant le réglage des accessoires. Veuillez consulter le tableau suivant pour le réglage détaillé.

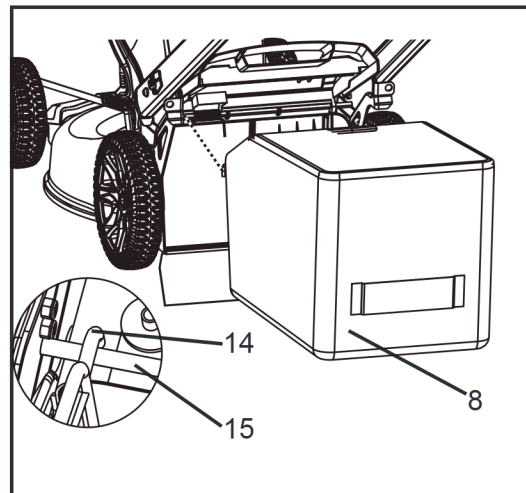
Pour convertir la tondeuse	Bouchon de déchiquetage	Sac à herbe	Goulotte d'éjection latérale
Pour l'ensachage arrière	x	√	x
Pour le paillage	√	x	x
Pour décharge latérale	√	x	√

Installer le sac à herbe

1. Retirez la batterie et la clé de sécurité.
2. Retirez le bouchon de déchiquetage.
3. Retirez la goulotte d'éjection latérale.
4. Ouvrez et retenez le couvercle d'éjection arrière.

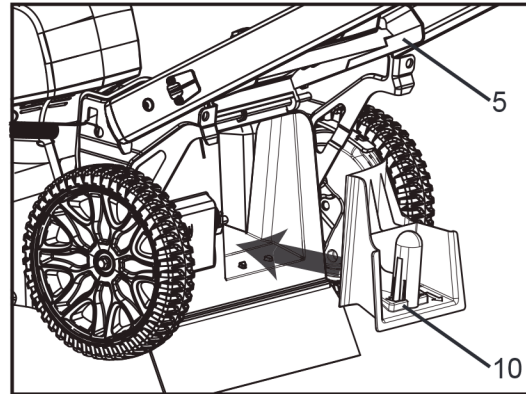


5. Tenez le sac arrière (8) par sa poignée et engagez les crochets (14) dans la tige de porte (15).
6. Fermez le couvercle d'éjection arrière.



Installer le bouchon de déchetage

1. Retirez la batterie et la clé de sécurité.
2. Retirez le sac arrière.
3. Ouvrez et retenez le couvercle d'éjection arrière (5).
4. Tenez le bouchon de déchetage(10) par sa poignée et insérez-le dans la goulotte d'éjection.
5. Fermez le couvercle d'éjection arrière.



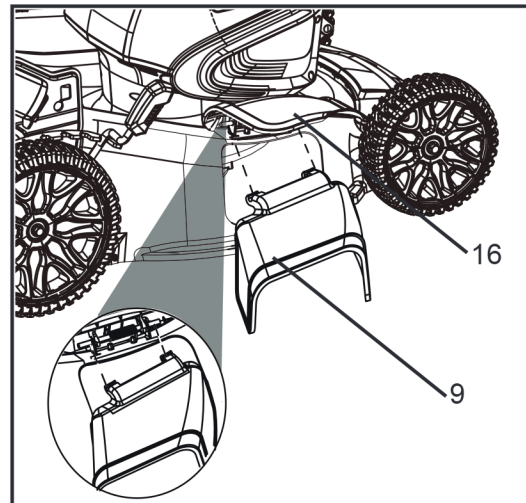
Installer la goulotte d'éjection latérale

AVERTISSEMENT

Lorsque vous utilisez la goulotte d'éjection latérale :

- ***n'installez pas le sac arrière.***
- ***Laissez le bouchon de déchetage en place.***

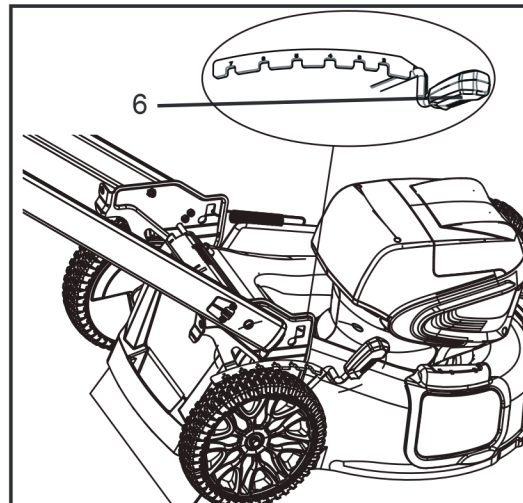
1. Retirez la batterie et la clé de sécurité.
2. Ouvrez et retenez le couvercle d'éjection latérale (16).
3. Alignez les recoins de la goulotte d'éjection latérale (9) sous la charnière.
4. Fermez le couvercle d'éjection latérale.



Régler la hauteur de coupe

La machine peut être réglée à différentes hauteurs de coupe.

1. Tirez le levier de réglage de la hauteur (6) vers l'arrière pour augmenter la hauteur de coupe.
2. Tirez le levier de réglage de la hauteur vers l'avant pour diminuer la hauteur de coupe.



Installation et retrait de la batterie

AVIS

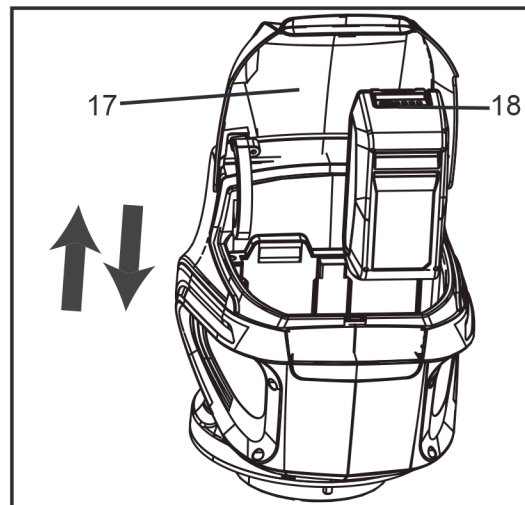
La machine dispose d'une fonction de commutation automatique qui permet à l'autre batterie de fonctionner lorsque la première est à plat. La batterie est livrée partiellement chargée en usine et doit être complètement chargée avant la première utilisation.

Remarque : Voir le manuel d'utilisation séparé fourni avec la batterie.

Installation de la batterie

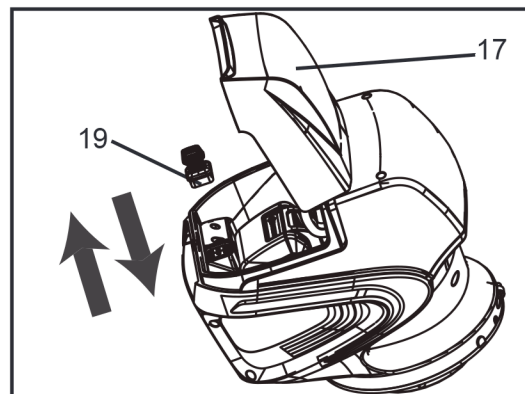
1. Soulevez le couvercle de la batterie (17) et maintenez-le surélevé.
2. Alignez la batterie avec la prise de batterie de la tondeuse.
3. Assurez-vous que le bouton de dégagement de la batterie (18) s'enclenche et que la batterie est bien en place dans la tondeuse avant d'utiliser la machine.
4. Insérez la clé de sécurité (19).
5. Fermez le couvercle de la batterie.

Remarque : La machine dispose d'une fonction de commutation automatique qui permet à l'autre batterie de fonctionner lorsque la première est à plat. Des batteries supplémentaires peuvent être achetées auprès des détaillants.



Retrait de la batterie

1. Arrêtez la machine.
2. Ouvrez le couvercle de la batterie (17).
3. Retirez la clé de sécurité (19).
4. Appuyez sur le bouton de dégagement de la batterie (18) sur la tondeuse. La batterie se dégagera alors légèrement de l'outil.
5. Retirez la batterie.



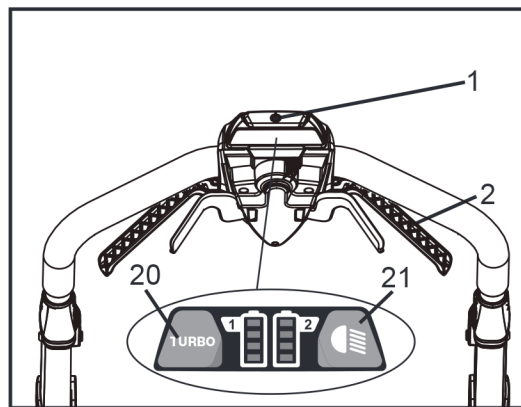
Démarrage de l'unité

AVERTISSEMENT

Lors du démarrage de l'unité, respectez les précautions décrites dans la section « Sécurité ». Le non-respect de ces précautions peut provoquer un accident ou des blessures, voire entraîner la mort.

Attendez que la lame s'arrête complètement avant de redémarrer la machine. N'éteignez pas et n'allumez pas brusquement la machine.

1. Assurez-vous que la clé de sécurité est insérée dans la fente.
2. Appuyez sur le bouton de mise en marche et maintenez-le enfoncé (1).
3. Pendant que vous maintenez le bouton de démarrage (1) tirez la poignée de démarrage (2) dans la direction du guidon.
4. Une fois que la machine a démarré, vous pouvez relâcher le bouton de démarrage.
5. Appuyez sur le bouton Turbo (20) pour augmenter la vitesse.
6. Appuyez sur le bouton d'éclairage DEL (21) pour allumer les phares à DEL.



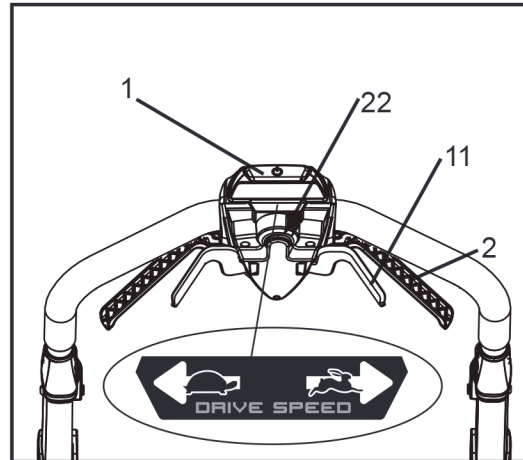
Arrêt de l'unité

1. Relâchez la poignée de démarrage pour arrêter la machine.

Remarque : Retirez toujours la clé de sécurité et la batterie après avoir terminé le travail.

Système de commande de vitesse automotrice

1. Démarrez la machine.
2. Pendant que vous maintenez les poignées de démarrage (2), saisissez l'un des leviers de commande (11) et tirez vers le guidon.
3. Tenez les poignées de démarrage et les leviers de commande en même temps.
4. Relâchez l'ensemble de la poignée de démarrage (2) ou du levier de commande (11) du même côté.
5. Réglez la commande de vitesse (22) avec votre main libre.
 - Faites glisser le bouton de commande de vitesse dans la direction du symbole Lièvre pour augmenter la vitesse.
 - Appuyez sur le bouton de commande de vitesse dans la direction du symbole Tortue pour réduire la vitesse.
6. Relâchez les leviers de commande pour déclencher le système de vitesse automotrice.



Pour enclencher le système de vitesse automotrice lorsque la tondeuse n'est pas en marche :

- Appuyez sur le bouton de démarrage (1) et maintenez-le enfoncé puis tirez sur le levier de commande (11), ou effectuez ces mêmes étapes dans l'ordre inverse.

Utilisation sur les pentes

AVERTISSEMENT

Ne tondez pas sur une pente inclinée à plus de 15 degrés. Si vous n'êtes pas à l'aise, ne tondez pas sur une pente.

Lorsque vous tondez sur une pente, veillez toujours à maintenir une faible vitesse automotrice.

- Ne changez pas de direction de haut en bas, ou vice-versa, lorsque vous tondez sur une pente. Soyez prudent lorsque vous changez la direction sur une pente.
- Surveillez les trous, les ornières, les rochers et tout autres objets cachés qui peuvent vous faire tomber. Retirez tous les obstacles tels que les rochers et les branches d'arbre.
- Assurez-vous que vous êtes bien campé et en équilibre. Si vous perdez l'équilibre, relâchez immédiatement la poignée.
- Ne tondez pas près d'un dénivellement, d'un fossé ou du rebord d'un talus.

Vidange du sac à herbe

1. Arrêtez la machine.
2. Retirez la clé de sécurité.
3. Retirez la batterie.
4. Ouvrez et retenez le couvercle d'éjection arrière.
5. Tenez le sac arrière par sa poignée et décrochez-le de la barre de la porte.
6. Fermez le couvercle d'éjection arrière.
7. Videz le sac arrière.



Conseils d'utilisation

- N'essayez pas de désactiver le fonctionnement du bouton de démarrage ou des poignées de démarrage.
- N'inclinez pas la machine lorsque vous la démarrez.
- Ne placez pas les mains ou les pieds à proximité ou en dessous des pièces en mouvement.
- Gardez la goulotte d'éjection arrière propre.
- Couper l'herbe mouillée nécessitera plus de puissance et réduira le temps de fonctionnement.
- Une hauteur de lame plus élevée est nécessaire pour un gazon nouveau ou épais.
- Nettoyez le plateau de la tondeuse après chaque utilisation. Enlevez les débris d'herbe coupée, les feuilles, la saleté et autres débris.

ENTRETIEN

AVERTISSEMENT

Les pièces mobiles peuvent amputer les doigts ou causer des blessures graves.

Gardez les mains, les vêtements et les objets lâches à l'écart de toutes les ouvertures.

Arrêtez toujours le moteur et assurez-vous que toutes les pièces mobiles sont complètement arrêtées avant de retirer les obstructions, de nettoyer les débris ou d'entretenir l'unité. Laissez l'unité refroidir avant d'effectuer l'entretien. Portez des gants pour protéger les mains des arêtes vives et des surfaces chaudes.

AVERTISSEMENT

L'utilisation d'une unité mal entretenue peut entraîner des blessures graves pour l'opérateur ou les personnes se trouvant à proximité. Suivez toujours toutes les instructions d'entretien telles qu'elles sont écrites, sinon des blessures graves peuvent en résulter.

Votre appareil est conçu pour fournir de nombreuses heures de service sans problème. Un entretien régulier et programmé aidera votre unité à atteindre cet objectif. Si vous n'êtes pas sûr ou n'êtes pas équipé des outils nécessaires, nous vous recommandons d'amener votre appareil chez un réparateur pour l'entretien. Pour vous aider à décider si vous voulez le FAIRE VOUS-MÊME ou laisser le concessionnaire le faire, chaque tâche d'entretien a été notée. Si la tâche n'est pas répertoriée, consultez votre concessionnaire pour les réparations.

Niveaux de compétence

Niveau 1 = Facile à faire. Des outils communs peuvent être nécessaires.

Niveau 2 = Difficulté modérée. Certains outils spécialisés peuvent être nécessaires.

Niveau 3 = Consultez votre revendeur.

Intervalles d'entretien

COMPOSANT / SYSTÈME	PROCÉDURE D'ENTRETIEN	REQUIS NIVEAU DE COMPÉTENCE
Quotidien ou avant utilisation		
Lame	Inspecter / Remplacer	2
Vis / Écrous / Boulons	Inspecter / Serrer / Remplacer *	1

AVIS - Les intervalles de temps affichés sont au maximum. L'utilisation réelle et votre expérience détermineront la fréquence de l'entretien requis.

REMARQUES SUR LA PROCÉDURE D'ENTRETIEN :

* Nous recommandons le remplacement des pièces lorsque vous découvrez des dommages ou des signes d'usure lors de l'inspection.

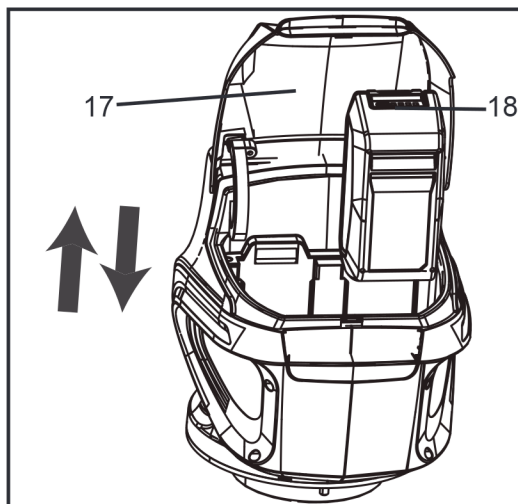
Nettoyage de la batterie et du compartiment de la batterie

⚠ AVERTISSEMENT

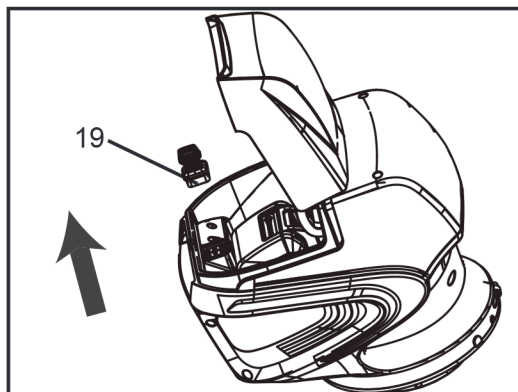
Risque de choc électrique ou d'incendie. N'utilisez pas de matériaux conducteurs pour nettoyer la batterie ou le compartiment de la batterie.

Retirez la clé de sécurité et la batterie de la machine avant l'entretien.

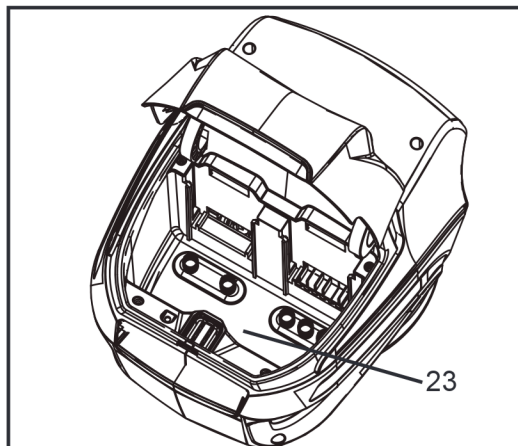
1. Ouvrez le couvercle de la batterie (17).
2. Enfoncez le bouton de dégagement de la batterie (18) et faites glisser la batterie hors du compartiment à batterie.



3. Retirez la clé de sécurité (19).



4. Utilisez de l'air comprimé ou une brosse à poils doux pour enlever les débris de la batterie et du compartiment de la batterie (23).

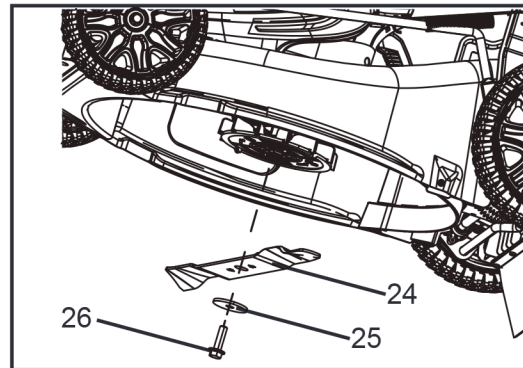


Remplacer la lame

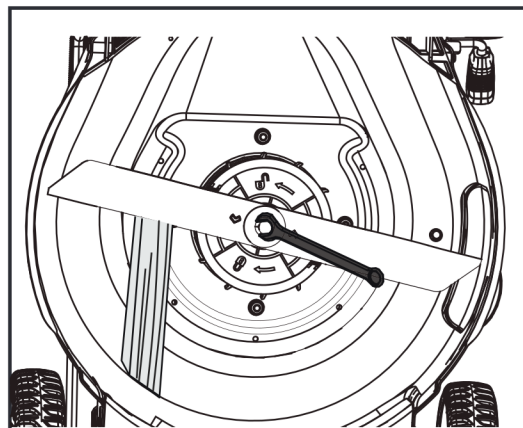
! AVERTISSEMENT

**Utilisez seulement les lames de rechange approuvées.
Portez des gants épais ou enroulez la lame avec un chiffon
lorsque vous la touchez.**

1. Arrêtez la machine.
2. Assurez-vous que la lame s'est complètement arrêtée.
3. Retirez la clé de sécurité et les batteries.
4. Tournez la machine sur le côté.
5. Utilisez un morceau de bois ou un outil spécial de maintien de la lame de tondeuse à gazon pour empêcher le mouvement de la lame.
6. Retirez le boulon de fixation (26) et l'entretoise (25) à l'aide d'une clé ou d'une douille.
7. Retirez la lame (24).



8. Installez la nouvelle lame. Assurez-vous que les flèches du ventilateur s'engagent dans les trous de la lame.
9. Placez le boulon de fixation et les entretoises, et serrez-les. Couple de serrage recommandé : 33-37 Nm.



DÉPANNAGE

Problème	Cause	Solution
La tondeuse à gazon ne démarre pas.	La batterie n'est pas chargée.	Rechargez la batterie.
	L'interrupteur est défectueux.	Remplacez l'interrupteur (contactez un détaillant agréé).
	De l'herbe est coincée entre le pont et la lame.	Retirez la batterie et la clé de sécurité et vérifiez s'il y a des blocages sous le pont.
	La batterie n'est pas complètement insérée dans la tondeuse à gazon.	Vérifiez le branchement entre la batterie et la tondeuse à gazon. Assurez-vous que la batterie est enclenchée.
	La batterie peut nécessiter un entretien ou un remplacement.	Contactez votre détaillant ou remplacez la batterie.
La tondeuse à gazon coupe l'herbe de manière inégale.	La pelouse est raboteuse ou inégale.	Vérifiez la zone de tonte.
	La hauteur de coupe n'est pas réglée correctement.	Placez les roues à une hauteur plus élevée.
	La lame est émoussée.	Affûtez ou remplacez la lame.
La tondeuse à gazon ne déchiquette pas correctement.	De l'herbe coupée mouillée est collée sous le pont.	Retirez la batterie et nettoyez l'appareil. Attendez jusqu'à ce que l'herbe soit sèche avant la tonte.
	Le bouchon de déchiquetage est absent.	Installez le bouchon de déchiquetage.

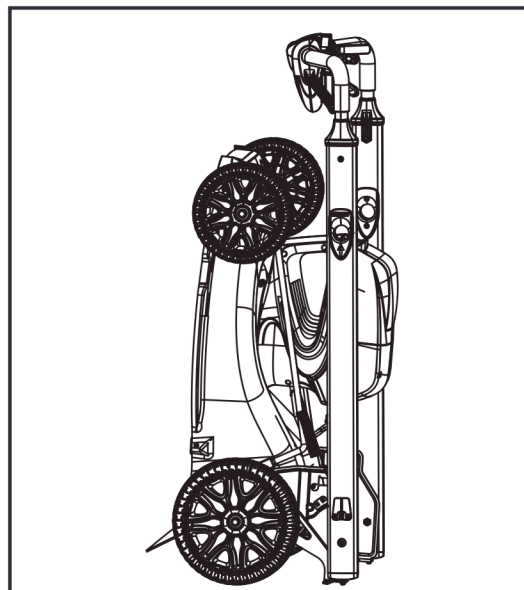
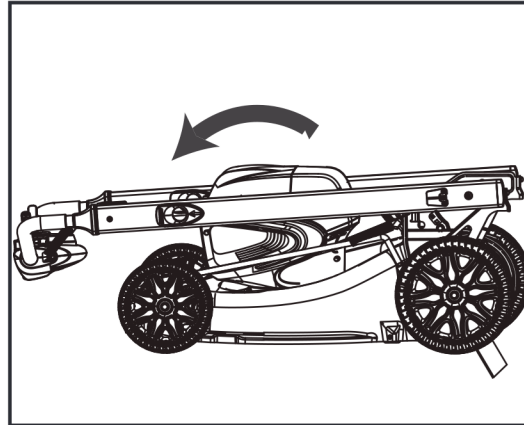
Problème	Cause	Solution
La tondeuse à gazon est difficile à pousser.	L'herbe est trop haute ou la hauteur de la lame est trop basse.	Augmentez la hauteur de coupe.
	L'arrière du sac à herbe traîne dans l'herbe épaisse.	Videz le sac.
La tondeuse à gazon est excessivement bruyante et vibre.	L'arbre du moteur est tordu.	Arrêtez le moteur et vérifiez qu'il n'est pas endommagé. Contactez votre détaillant si une réparation est nécessaire.
	La lame est déséquilibrée.	Réparez la lame avant de redémarrer la machine. Si les vibrations persistent, contactez votre détaillant.

STOCKAGE

Stockage vertical

Ne stockez pas votre unité sans effectuer une maintenance de protection de stockage qui comprend les éléments suivants :

1. Retirez le sac arrière.
2. Retirez la batterie et la clé de sécurité.
3. Tirez vers vous les trous des poignées pour replier les poignées.
4. Verrouillez les poignées en place.
5. Placez la machine en position verticale et assurez-vous que les supports touchent le plancher.



Stockage après utilisation

Lors du stockage du produit pendant de longues périodes, assurez-vous que les préparatifs suivants pour le stockage sont effectués.

Tondeuse

Ne stockez pas votre unité sans effectuer une maintenance de protection de stockage qui comprend les éléments suivants :

1. Mettez l'unité hors tension.
2. Retirez la batterie de la tondeuse.
3. Enlevez l'accumulation de saleté et de débris de l'extérieur de l'unité.
4. Serrez toutes les vis et écrous.
5. Fermez le couvercle de la batterie.
6. Rangez l'appareil dans un endroit sec et sans poussière, hors de portée des enfants.

Batterie

1. Retirez la batterie de la tondeuse.
2. A conserver dans un endroit sec et sans poussière, hors de portée des enfants.
3. Conserver à des températures comprises entre -4°F (-20°C) et 140°F (60°C).
4. Si la batterie est stockée pendant plus de six mois, chargez-la à 100 % de sa capacité.

Chargeur

1. Retirez la batterie du chargeur.
2. Débranchez le chargeur de l'alimentation.
3. A conserver dans un endroit sec et sans poussière, hors de portée des enfants.

SPÉCIFICATIONS

MODÈLE	DLM-2100SP
Vitesse sans tare	2800 tr/min, 3200 tr/min
Réglages de la hauteur	1 - 4" (3 - 10 cm)
Vitesse automotrice	1,35–2,95 mi/h (0,6–1,3 m/s)
Fonctions	3-en-1 : déchiquetage, ensachage arrière et éjection latérale
Poids	29,7 kg (65,48 lb)
Batterie :	
Modèle	Batteries de série ECHO eFORCE™ 56V
Type	Li-ion
Voltage	56 (noté 50,4)
Type de chargeur	CCVC
Tension d'entrée du chargeur	120V CA 60Hz
Chargeur modèle	Chargeur de batterie de série ECHO eFORCE™ 56V
Chargeur Lumières	
○ Éteint ☉ ● ☽ Vert clignotant	La batterie est en charge
○ Éteint ● Vert	Complètement chargé
● Rouge ○ Éteint	La batterie est trop chaude : (Retirer environ 30 minutes pour laisser refroidir)
☽ ● ☽ Rouge clignotant ○ Éteint	Batterie défectueuse : (Retirez et remplacez par une nouvelle batterie si cela se produit)
Temps de charge	Voir le manuel d'utilisation de la batterie

ENREGISTREMENT DU PRODUIT

Merci d'avoir choisi ECHO Power Equipment

Veillez vous rendre à l'adresse <http://www.echo-usa.com/Warranty/Register-Your-ECHO> pour enregistrer votre nouveau produit en ligne. C'est RAPIDE et FACILE! REMARQUE : vos renseignements ne seront jamais vendus ou utilisés à mauvais escient par ECHO, Incorporated.

L'enregistrement de votre achat nous permet de communiquer avec vous dans le cas improbable d'une mise à jour du service ou d'un rappel de produit, et vérifie votre propriété pour la prise en compte de la garantie.

Si vous n'avez pas accès à Internet, vous pouvez remplir le formulaire ci-dessous et le poster à :

***ECHO Incorporated, Product Registration, PO Box 1139,
Lake Zurich, IL 60047.***

ECHO PRODUCT REGISTRATION CARD : TARJETA DE REGISTRO : CARTE D'ENREGISTREMENT DU PRODUIT

<p>ONLINE OPTION: Register online and save a stamp! You will be alerted of product updates and/or be sent new ECHO product information and special offers. Simply go to: www.echo-usa.com</p>	<p>OPCIÓN POR INTERNET: Regístrese en la página web y ahorre una estampilla! Le alertarán sobre actualizaciones del producto y/o se le enviará información sobre los nuevos productos ECHO y las ofertas especiales. Simplemente visite: www.echo-usa.com</p>
<p>OPTION EN LIGNE : Enregistrer en ligne et épargner un timbre! Vous serez informé sur les nouveaux produits ECHO et les mises à jour de produit ainsi que les offres spéciales. Simplement visitez le: www.echo-usa.com</p>	

Please Print : Por Favor Enscriba Con Letra De Molde : En Lettre Carré S.V.P. Confidential: Information provided will not be shared or sold

Purchaser's Name : Nombre del Comprador : Nom de l'acheteur	
Address : Dirección : Adresse	
City : Ciudad : Ville	State : Estado : Province
Zip Code : Código Postal : Code Postal	
E-Mail Address : Dirección De Correo Electrónico : Courrier Électronique	
Phone Number : Número De Teléfono : Téléphone	Date of Purchase : Fecha de la Compra : Date de l'achat
Where Purchased : Nombre del Almacén donde fue Comprado : Lieu d'achat	
Model Number : Numero del Modelo : No. de modèle Serial Number : Numero de Serie : No. de série	

Registering your purchase enables us to contact you in the unlikely event of a service update or product recall and verifies your ownership in the event of loss. : El registrar su compra nos permite estar en contacto con usted en caso de cualquier evento como el aviso de tiempo de servicio o la revocación del producto y verificación de propiedad en caso de robo o pérdida. : L'enregistrement de votre achat nous permettra de vous contacter dans le cas improbable de modifications des instructions d'entretien ou de rappel du produit et vérifier que vous êtes le propriétaire en cas de vol ou de perte.

Primary use of tool: Professional Homeowner Rental Equip.
 Uso primario de la herramienta: Profesional Dueño de casa Alquiler
 Usage principal: Professionnel Residential Location
 Do you wish to receive periodic ECHO product information and special offers by e-mail? Yes No
 ¿Desea usted recibir información periódica y ofertas especiales por correo electrónico sobre el producto ECHO? Yes No
 Souhaitez-vous recevoir périodiquement de l'information sur les produits ECHO et les offres spéciales par courrier électronique? Oui Non
 Did you visit the ECHO website before purchasing your product?
 Yes No
 Visité usted la página web ECHO antes de comprar su producto?
 Si No
 Avez-vous visité le site d'ECHO avant de procurer votre produit?
 Oui Non

What factor(s) most influenced your purchase?
 Performance Price Dealer
 Reliability Prior Experience Quality
 Friend/Family Brand Warranty
 ¿Qué factor(es) influyó más en su compra?
 Funcionamiento Precio Distribuidor
 Confiabledad Experiencia Anterior Calidad
 Amigo/Familia Marca Garantía
 Quel facteur (facteurs) vous a influencé le plus?
 Performance Prix Marchand
 Fiabilité Expérience Qualité
 Ami/Famille Marque Garantie

ECHO INC., 400 Oakwood Rd., Lake Zurich, IL 60047
 1.800.432.ECHO WWW.ECHO-USA.COM X7572270206 02-2012



Déclaration de garantie limitée pour ECHO 56 volts Produits vendus aux États-Unis et au Canada

ECHO Incorporated garantit à l'acheteur au détail d'origine que ce produit d'extérieur 56 volts de marque ECHO est exempt de défauts de matériaux et de fabrication et accepte de réparer ou de remplacer, à la discrétion d'ECHO Incorporated, tout produit défectueux gratuitement dans ces délais à compter de la date d'achat :

- Si le produit est destiné à un usage domestique :
 - Unité – 5 ans
 - Batterie ou chargeur – 2 ans
- Si le produit est destiné à un usage commercial :
 - Tronçonneuse – 1 an
 - Toutes les autres unités – 2 ans
 - Batterie ou chargeur – 1 an
- Si le produit est destiné à la location : 90 jours pour toutes les unités, batteries et chargeurs.
- Accessoires de coupe tels que, mais sans s'y limiter, barres, chaînes, pignons, lames, dents, courroies, PowerBroom™ et Les têtes de coupe en nylon destinées à un propriétaire ou à un usage non lucratif seront couvertes pour les défaillances dues à des défauts de matériaux ou de fabrication pendant une période de 60 jours à compter de la date d'achat du produit d'origine et de 30 jours pour une utilisation commerciale / locative. Toute mauvaise utilisation par contact avec du béton, des roches ou d'autres structures n'est pas couverte par cette garantie.

Cette garantie s'étend uniquement à l'acheteur au détail d'origine et commence à la date de l'achat au détail d'origine.

Toute pièce de ce produit qui, selon le jugement raisonnable d'ECHO Incorporated, présenterait un défaut de matériau ou de fabrication sera réparée ou remplacée sans frais pour les pièces et la main-d'œuvre par un revendeur ECHO agréé. Les unités, pièces de rechange et accessoires remplacés dans le cadre de cette garantie ne sont garantis que pour le reste de la période de garantie d'origine.

Le produit, y compris toute pièce défectueuse, doit être retourné à un revendeur ECHO agréé pendant la période de garantie. Les frais de livraison du produit au centre de service pour les travaux sous garantie et les frais de retour au propriétaire après réparation ou remplacement seront payés par le propriétaire. La responsabilité d'ECHO Incorporated à l'égard des réclamations se limite à effectuer les réparations ou les remplacements requis et aucune réclamation pour violation de garantie ne pourra entraîner l'annulation ou la résiliation du contrat de vente de tout produit d'extérieur 56 volts de marque ECHO. Une preuve d'achat sera exigée par le concessionnaire pour justifier toute réclamation au titre de la garantie. Tous les travaux sous garantie doivent être effectués par un revendeur ECHO agréé.

Cette garantie ne couvre aucun produit qui a fait l'objet d'une mauvaise utilisation, d'une négligence, d'une négligence ou d'un accident, ou qui a été utilisé de quelque manière que ce soit contrairement aux instructions d'utilisation spécifiées dans le manuel d'utilisation.

Cette garantie ne s'applique pas aux dommages causés au produit résultant d'un entretien inapproprié ou à tout produit qui a été altéré ou modifié. La garantie ne s'étend pas aux réparations rendues nécessaires par l'usure normale ou par l'utilisation de pièces ou d'accessoires incompatibles avec le produit d'extérieur 56 volts de marque ECHO ou nuisant à son fonctionnement, sa performance ou sa durabilité. De plus, cette garantie ne couvre pas l'usure des articles normaux, comme, mais sans s'y limiter :

Articles d'usure - Boutons anti-chocs, bobines extérieures, fils de coupe, bobines intérieures, rondelles en feutre, goupilles d'attelage, lames de déchiquetage, ventilateurs, ventilateurs et tubes d'aspirateur, sac et sangles d'aspirateur, barres de guidage, chaînes de scie, sac de ramassage d'herbe, lames de taille-haie, et roues

ECHO Incorporated se réserve le droit de modifier ou d'améliorer la conception de ce produit sans assumer aucune obligation de modifier tout produit précédemment fabriqué.

Toutes les garanties implicites sont limitées en durée à la période de garantie indiquée. Par conséquent, toutes ces garanties implicites, y compris la qualité marchande, l'adéquation à un usage particulier ou autre, sont exclues dans leur intégralité après l'expiration des périodes appropriées de cinq ans, deux ans, un an, 90 jours, 60 jours ou Période de garantie de 30 jours. L'obligation d'ECHO Incorporated en vertu de cette garantie est strictement et exclusivement limitée à la réparation ou au remplacement des pièces défectueuses. ECHO Incorporated n'assume, ni n'autorise quiconque à assumer en son nom toute autre obligation. Certains États ne permettent pas de limiter la durée d'une garantie implicite, de sorte que la limitation ci-dessus peut ne pas s'appliquer à vous. ECHO Incorporated n'assume aucune responsabilité pour les dommages accessoires, indirects ou autres, y compris, mais sans s'y limiter, les frais de retour du produit à un revendeur agréé pour les produits d'extérieur 56 volts de marque ECHO et les frais de retour au propriétaire, le temps de déplacement du mécanicien, les frais de téléphone, la location d'un produit similaire pendant la durée du service de garantie, les déplacements, la perte ou les dommages aux biens personnels, la perte de revenus, la perte d'utilisation du produit, la perte de temps ou les désagréments. Certains états n'autorisent pas l'exclusion ou la limitation des dommages indirects ou consécutifs, de sorte que la limitation ou l'exclusion ci-dessus peut ne pas s'appliquer à vous.

La présente garantie vous donne des droits légaux spécifiques, et vous pouvez également avoir d'autres droits qui varient d'un État à l'autre.

Cette garantie s'applique à tous les produits d'extérieur 56 volts de marque ECHO fabriqués par ou pour ECHO Incorporated et vendus aux États-Unis et au Canada.

Pour localiser votre revendeur ECHO agréé le plus proche, visitez l'adresse www.ECHO-usa.com ou composez le 1 800 432-ECHO (3246).

REMARQUES

405LMS000001 - 405LMS999999



ÉCHO INCORPORÉ
400 Oakwood Road
Zurich Lake, IL 60047
www.echo-usa.com



Manual del operario DLM-2100SP Cortacésped

ADVERTENCIA

Este producto contiene sustancias químicas conocidas en el estado de California como causantes de cáncer, defectos de nacimiento u otros daños reproductivos.

Cáncer y daños reproductivos www.P65Warnings.ca.gov

ADVERTENCIA



Debe leer y entender toda la documentación que se facilita antes del uso.

De no hacerlo podrían producirse lesiones graves.

ÍNDICE

Introducción 3

Información sobre tareas de servicio..... 3

 Piezas/número de serie 3

 Servicio 4

 Asistencia posventa al cliente de ECHO 4

 Registro del producto 4

 Documentación adicional 4

Lista de embalaje 4

Seguridad 5

 Símbolos de seguridad del manual e información importante 5

 Símbolos internacionales 6

 Advertencias de seguridad para cortacéspedes 7

 Eliminación de la batería segura para el medio ambiente 14

Descripción 15

 Preparativos para el uso..... 16

Funcionamiento 22

 Puesta en marcha de la unidad..... 22

 Detención de la unidad..... 22

 Sistema de transmisión autopropulsada 23

 Funcionamiento en pendientes 24

 Vaciado del recogehierba 24

 Consejos de funcionamiento 25

Mantenimiento 25

 Limpieza de la batería y el compartimento de la batería..... 27

 Sustitución de la cuchilla 28

Solución de problemas 29

Almacenamiento 31

 Almacenamiento vertical..... 31

 Almacenamiento tras el uso 32

Especificaciones 33

Registro del producto 34

Garantía..... 36

INTRODUCCIÓN

Las especificaciones, descripciones, así como el material ilustrativo de esta documentación son tan precisos como se conocía en el momento de su publicación, pero están sujetos a cambios sin previo aviso. Las ilustraciones pueden incluir equipos y accesorios opcionales, asimismo, pueden no incluir todos los equipos estándar.



Debe leer y entender toda la documentación que se facilita. La documentación contiene especificaciones e información sobre la seguridad, el funcionamiento, el mantenimiento, el almacenamiento y el montaje específicos de este producto. Escanee los códigos QR para obtener más información.



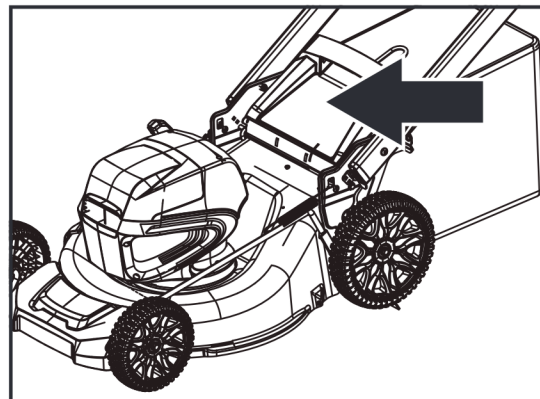
Si desea obtener más información, incluidos los manuales de seguridad donde corresponda, o si tiene preguntas sobre los términos empleados en este manual, visite: <https://www.echo-usa.com/manuals>



INFORMACIÓN SOBRE TAREAS DE SERVICIO

Piezas/número de serie

Las piezas y conjuntos originales de ECHO para sus productos ECHO solo se encuentran disponibles a través de un distribuidor autorizado de ECHO. Cuando necesite comprar piezas, tenga siempre a mano el número de modelo y el número de serie de la unidad. Para futuras consultas, escríbalos en el espacio que figura a continuación para tal efecto.



Nº de modelo _____ Nº de serie _____

Servicio

El servicio de este producto durante el periodo de garantía debe ser realizado por un distribuidor de servicio técnico autorizado de ECHO. Para conocer el nombre y la dirección del distribuidor de servicio técnico autorizado de ECHO más cercano, pregunte al vendedor o llame por teléfono al: 1-800-432-ECHO (3246). También encontrará información sobre los distribuidores en nuestro sitio web www.echo-usa.com. Cuando presente su unidad para el servicio/ reparaciones bajo garantía, es necesario presentar una prueba de compra.

Asistencia posventa al cliente de ECHO

Si necesita ayuda o tiene preguntas sobre la aplicación, el funcionamiento o el mantenimiento de este producto, llame al departamento de asistencia posventa al cliente de ECHO al 1-800-432-ECHO (3246) de 8:00 a.m a 5:00 p.m. (zona horaria central estándar) de lunes a viernes. Antes de llamar, debe conocer el modelo y el número de serie de su unidad.

Registro del producto

Registre su equipo ECHO en línea en www.echo-usa.com o cumplimentando la hoja de registro del producto incluida en este manual. El registro de su producto confirma la cobertura de la garantía y proporciona un enlace directo a ECHO si consideramos necesario ponernos en contacto con usted.

Documentación adicional

Además de encontrar información en línea, esta también se encuentra disponible a través de un distribuidor de servicio técnico autorizado de ECHO, o contactando directamente con ECHO Incorporated, 400 Oakwood Road, Lake Zurich, IL 60047, 1-800-432-ECHO (3246).

LISTA DE EMBALAJE

El producto ECHO que ha comprado se ha premontado en fábrica para su comodidad. Debido a las restricciones de embalaje, puede que sea necesario montar algún elemento.

Compruebe si hay daños tras abrir el cartón. Notifique inmediatamente al vendedor o al distribuidor de ECHO en caso de que haya piezas dañadas o ausentes. Utilice el albarán para verificar si faltan piezas.

- 1 Cortacésped
- 1 Manual del operario
- 1 Conducto de descarga lateral
- 1 Recogehierba
- 1 Tapón de mulching

Símbolos de seguridad del manual e información importante

En este manual y en el propio producto, encontrará alertas de seguridad y mensajes informativos útiles precedidos de símbolos o palabras clave. A continuación, se explican dichos símbolos y palabras clave y lo que significan para usted.

PELIGRO

El símbolo de alerta de seguridad acompañado de la palabra "PELIGRO" llama la atención sobre un acto o una condición que PROVOCARÁ lesiones personales graves o la muerte si no se evita.

ADVERTENCIA

El símbolo de alerta de seguridad acompañado de la palabra "ADVERTENCIA" llama la atención sobre un acto o una condición que PUEDE provocar lesiones personales graves o la muerte si no se evita.

PRECAUCIÓN

El símbolo de alerta de seguridad acompañado de la palabra "PRECAUCIÓN" llama la atención sobre un acto o una condición que podría provocar lesiones personales leves o moderadas si no se evita.

AVISO

El mensaje adjunto proporciona información necesaria para la protección de la unidad.

Nota: este mensaje adjunto ofrece consejos para el uso, el cuidado y el mantenimiento de la unidad.



CÍRCULO Y BARRA INCLINADA

Este símbolo significa que la acción específica que se muestra está prohibida. Ignorar estas prohibiciones puede provocar lesiones graves o mortales.

Símbolos internacionales

En el producto pueden utilizarse algunos de los siguientes símbolos. Le rogamos que los estudie y aprenda su significado. La interpretación correcta de estos símbolos le permitirá manejar el producto mejor y de manera más segura.

Símbolo	Descripción	Símbolo	Descripción
	¡ADVERTENCIA! Lea y siga todas las precauciones de seguridad del manual del operario. El incumplimiento de las instrucciones puede provocar lesiones personales graves.		Tenga mucho cuidado en las pendientes. No siegue en pendientes con una inclinación superior a 15 grados.
	Seguridad/alerta		No abra ni retire los dispositivos de seguridad mientras la herramienta esté funcionando.
	Lleve siempre protección ocular con protectores laterales marcada para cumplir la ANSI Z87.1 cuando utilice este equipo.		Mire hacia abajo y hacia atrás en primer lugar para evitar tropezar al retroceder.
	No exponga el producto a la lluvia o a condiciones de humedad.		Corriente continua
	Retire los objetos que puedan ser proyectados por la cuchilla en cualquier dirección.		Voltios
	Todos los visitantes deben mantenerse a una distancia segura de la zona de trabajo.	 	Para reducir el riesgo de lesiones, mantenga las manos y los pies alejados de las piezas giratorias. No utilice a menos que la cubierta de descarga o la bolsa recogehierba estén en su posición. En caso de daños, sustituya inmediatamente.
	Eliminación de batería segura para el medio ambiente		

SEGURIDAD

Advertencias de seguridad para cortacéspedes

ADVERTENCIA

Esta máquina se ha construido para utilizarse de acuerdo con las normas para un funcionamiento seguro que se incluyen en este manual. Como con cualquier tipo de equipo eléctrico, un descuido o un error por parte del operario puede provocar lesiones graves. Esta máquina es capaz de amputar manos y pies y de lanzar objetos. El incumplimiento de las instrucciones de seguridad podría provocar lesiones graves o incluso la muerte.

Cuando utilice cortacéspedes eléctricos, siempre deben seguirse precauciones básicas de seguridad a fin de reducir el riesgo de incendios, descargas eléctricas y lesiones personales. Estas precauciones básicas incluyen lo siguiente:

Niños y transeúntes

Pueden producirse accidentes trágicos si el operario no está alerta a la presencia de niños y transeúntes.

- Mantenga la zona de funcionamiento libre de cualquier persona, especialmente niños pequeños y mascotas.
- Tenga mucho cuidado al acercarse a esquinas ciegas, portales, arbustos, árboles u otros objetos que puedan ocultar su visión de un niño o un transeúnte. Mantenga a los niños, los transeúntes, los ayudantes y las mascotas al menos a 30m (100 pies) del cortacésped cuando esté en funcionamiento. Detenga la máquina si alguien entra en la zona.
- Nunca permita que niños menores de 14 utilicen un cortacésped eléctrico. Los operarios de 14 años en adelante deben leer y entender en su totalidad el manual del operario y las normas de seguridad. Únicamente están autorizadas a utilizar la máquina personas responsables que estén familiarizadas con estas normas de funcionamiento seguro.

Funcionamiento general

- Lea detenidamente este manual del operario en su totalidad antes de montar o utilizar esta máquina. Debe leer, entender y seguir todas las instrucciones en la máquina y en los manuales antes del funcionamiento. Familiarícese con los controles y el uso adecuado de esta máquina antes

del funcionamiento. Conserve este manual para su consulta posterior y frecuente.

- No utilice el cortacésped para trabajos distintos del previsto. El cortacésped se ha diseñado para realizar un trabajo exclusivamente: cortar hierba.
- Nunca intente hacer un ajuste de altura de la rueda mientras el motor esté en marcha.
- No fuerce el cortacésped; hará el trabajo mejor y con mayor seguridad a la velocidad para la que se diseñó.
- No se estire, mantenga en todo momento una postura adecuada y el equilibrio. Numerosas lesiones se producen como resultado del paso del cortacésped sobre el pie durante una caída debida a resbalones o tropiezos. En caso de resbalar y caer pueden producirse lesiones personales graves. Si siente que está perdiendo el equilibrio, suelte la palanca de control inmediatamente y la cuchilla dejará de girar en tres segundos.
- Inspeccione exhaustivamente la superficie donde va a utilizarse el cortacésped y elimine todas las piedras, ramas, cables, huesos de perros y otros objetos extraños.
- Evite el arranque accidental. Asegúrese de que el interruptor esté en la posición de apagado antes de conectar a la batería y al coger o transportar el cortacésped. El transporte del cortacésped con el dedo en el interruptor o la conexión de un cortacésped que tiene el interruptor activado fomenta los accidentes.
- Nunca tire del cortacésped hacia usted mientras camina. Si debe hacer retroceder el cortacésped desde una pared u obstrucción, primero mire hacia abajo y hacia atrás para evitar tropezar, a continuación, siga estos pasos:
 1. Aléjese del cortacésped para extender totalmente los brazos.
 2. Asegúrese de tener un buen equilibrio.
 3. Tire del cortacésped hacia atrás lentamente.
- Retire la batería del cortacésped antes de realizar ajustes, cambiar accesorios o almacenarlo. Estas medidas de seguridad preventivas reducen el riesgo de que el cortacésped se ponga en marcha accidentalmente.
- Antes y durante el retroceso con el cortacésped, mire hacia atrás y hacia abajo para ver si hay niños pequeños y otras personas.
- No utilice el cortacésped bajo la influencia de alcohol o drogas. Manténgase alerta y observe lo que está haciendo en todo momento. Emplee el sentido común y no utilice el cortacésped cuando esté cansado.
- Lleve siempre gafas o anteojos de seguridad durante la utilización y al realizar un ajuste o reparación para proteger sus ojos. Los objetos proyectados que rebotan pueden producir lesiones graves en los ojos.

- Lleve siempre una máscara facial o antipolvo si se levanta polvo durante el funcionamiento.
- Manténgase alejado en todo momento de la abertura de descarga. No coloque las manos ni los pies cerca de las piezas giratorias o debajo de la plataforma de corte. El contacto con la cuchilla puede amputar manos y pies.
 - Planifique su patrón de corte para evitar la descarga de material hacia caminos, aceras, transeúntes y similares. Asimismo, evite descargar material contra paredes u obstrucciones, lo que puede hacer que el material descargado rebote hacia el operario.
 - Para ayudar a evitar la cuchilla o una lesión por un objeto proyectado, permanezca en la zona del operario detrás de las asas.
 - Si falta la cubierta de descarga o si esta ha sufrido daños, puede haber contacto con la cuchilla o lesiones por objetos proyectados.
 - Los objetos golpeados por la cuchilla del cortacésped pueden producir lesiones graves a las personas. El césped siempre debe examinarse detenidamente y deben eliminarse todos los objetos antes de cada corte.
 - Detenga la cuchilla cuando cruce senderos de grava, aceras o caminos.
 - Siga todas las instrucciones de carga y no cargue la batería o el cortacésped fuera del intervalo de temperatura especificado en las instrucciones. La carga incorrecta o a temperaturas fuera del intervalo especificado puede dañar la batería y aumentar el riesgo de incendio.
 - Si el cortacésped golpea un objeto extraño, siga estos pasos:
 1. Suelte el interruptor de seguridad para desacoplar el motor.
 2. Retire la batería.
 3. Inspeccione si hay daños.
 4. Repare las piezas dañadas antes de volver a poner en marcha y utilizar el cortacésped.
 - Lleve indumentaria adecuada; no lleve ropa suelta ni joyas que puedan quedar atrapadas en las piezas móviles. Se recomienda el uso de guantes de seguridad y calzado adecuado cuando se trabaje en el exterior. Lleve zapatos de trabajo resistentes con suela dura y pantalones y camisas ajustados. Se recomiendan camisas y pantalones que cubran los brazos y piernas, así como zapatos con punta de acero. Nunca utilice la máquina descalzo, con sandalias o calzado resbaladizo o ligero (p. ej. de lona).
 - Lleve una protección capilar para sujetar el cabello largo.
 - Evite los entornos peligrosos; no utilice el cortacésped en lugares húmedos / mojados o si está lloviendo.
 - Almacene el cortacésped inactivo en el interior. Cuando no estén en uso, los aparatos deben almacenarse en el interior, en un lugar seco y alto o cerrado, fuera del alcance de los niños. Retire siempre la batería del cortacésped antes de almacenarlo.

- Siegue únicamente con luz diurna o con una buena iluminación artificial. Camine, no corra durante la utilización.
- Si el cortacésped empieza a vibrar de manera anormal, detenga inmediatamente el motor, retire la batería y compruebe la causa. Normalmente la vibración es una advertencia de que el cortacésped no funciona correctamente.
- Compruebe la bolsa con frecuencia en busca de deterioro y desgaste, y sustituya las bolsas desgastadas. Compruebe que las bolsas de repuesto cumplan las recomendaciones o especificaciones del fabricante original.
- Antes de limpiar el cortacésped, desatascar o retirar la bolsa recogehierba, el inserto para mulching o el conducto de descarga lateral, apague el motor y espere hasta que la cuchilla se detenga por completo, posteriormente retire la batería. La cuchilla de corte sigue girando durante unos segundos después de apagar el motor. Nunca realice estas funciones hasta que esté seguro de que la cuchilla ha dejado de girar.
- Nunca utilice el cortacésped sin la cubierta de descarga adecuada, la bolsa recogehierba, el inserto para mulching, el conducto de descarga lateral u otros dispositivos de seguridad en su posición y funcionando. Nunca utilice el cortacésped con dispositivos de seguridad dañados. En caso contrario podrían producirse lesiones personales.
- Utilice únicamente baterías y cargadores de 56V de la serie ECHO eFORCE™. Otras baterías y cargadores pueden producir daños en el cortacésped o lesiones al operario.
- No deseche la batería en el fuego. Las celdas podrían incendiarse o explotar. Compruebe los códigos locales y de tratamiento de residuos para obtener instrucciones adecuadas de eliminación.
- Cuando la batería no esté en uso, manténgala alejada de otros objetos metálicos como clips, monedas, llaves, clavos, tornillos u otros objetos metálicos pequeños que puedan hacer una conexión entre los terminales. El cortocircuito de los terminales de la batería puede provocar quemaduras o un incendio.
- No abra ni destruya la batería. Los electrolitos contenidos dentro de la batería son corrosivos y pueden producir daños en los ojos o la piel si se liberan. Puede ser tóxico en caso de ingestión.
- Bajo condiciones abusivas, es posible que salga líquido despedido de la batería; evite el contacto. Si se produce un contacto accidental, aclare con agua. Si el líquido entra en contacto con los ojos, acuda también al médico. El líquido despedido de la batería puede provocar irritación o quemaduras.
- No exponga una batería o el aparato al fuego ni a una temperatura excesiva. La exposición al fuego o a una temperatura superior a 130°C puede provocar una explosión.
- Tenga cuidado al manipular las baterías para evitar un cortocircuito con materiales conductores, como anillos, pulseras, llaves, etc. La batería o

el conductor puede sobrecalentarse y producir quemaduras si se hace contacto con dichos materiales.

- No utilice una batería o un aparato que haya sufrido daños o modificaciones. Las baterías dañadas o modificadas pueden exhibir un comportamiento impredecible que puede dar lugar a un incendio, una explosión o un riesgo de lesiones.

Servicio/Mantenimiento

- Compruebe la cuchilla y los pernos de montaje del motor (de la máquina) a intervalos frecuentes para verificar que estén bien apretados.
- Sustituya la cuchilla si está doblada o agrietada. Una cuchilla desequilibrada provoca vibraciones que podrían producir daños en la unidad de accionamiento del motor o provocar lesiones personales.
- Mantenga todas las tuercas, los pernos y los tornillos apretados para garantizar que el equipo esté en condiciones seguras de funcionamiento.
- No lave con una manguera; evite que entre agua en el motor y las conexiones eléctricas.
- Nunca retire ni manipule los dispositivos de seguridad. Compruebe su correcto funcionamiento periódicamente. Nunca haga nada para interferir con la función prevista de un dispositivo de seguridad o para reducir la protección proporcionada por un dispositivo de seguridad.
- Mantenga el cortacésped libre de hierba, hojas u otros residuos acumulados. Deje que el cortacésped se enfríe antes de almacenarlo.
- Nunca realice ajustes o reparaciones con el motor en marcha.
- Retire siempre la batería de los cortacéspedes antes de realizar tareas de ajuste, limpieza o reparación.
- Compruebe los componentes del recogehierba y la protección de descarga con frecuencia y sustitúyalos por piezas recomendadas por el fabricante, cuando sea necesario.
- Afile una cuchilla desafilada por igual en cada extremo para mantener el equilibrio.
- Mantenga las protecciones en su posición y en estado de funcionamiento. Las cuchillas del cortacésped están afiladas y pueden cortar. Envuelva las cuchillas o lleve guantes y tenga especial cuidado al realizar tareas de servicio.
- Limpie la cuchilla exhaustivamente y compruebe su equilibrio apoyándola horizontalmente sobre un clavo delgado por su orificio central. El clavo también debe estar en posición horizontal. Si cualquiera de los extremos de la cuchilla gira hacia abajo, retire algo de metal del extremo pesado o inferior hasta que la cuchilla esté equilibrada. Está equilibrada cuando ninguno de los extremos cae.

- Utilice únicamente cuchillas de repuesto idénticas.
- Cuide el mantenimiento del cortacésped. Mantenga los filos de corte afilados y limpios para obtener el mejor rendimiento de forma segura. Siga las instrucciones para la lubricación y el cambio de accesorios. Inspeccione periódicamente el cable del cortacésped, y si está dañado, haga que lo repare un centro de servicio técnico autorizado.
- Si se producen situaciones que no están cubiertas en este manual, tenga cuidado y utilice el buen juicio o contacte con el servicio al cliente para obtener asistencia.
- Nunca utilice el cortacésped sin las protecciones, placas u otros dispositivos de protección de seguridad adecuados en su posición.
- Antes de cada uso, examine la máquina para comprobar si hay piezas dañadas, ausentes o sueltas como tornillos, tuercas, pernos y tapas.
- Apriete correctamente todos los elementos de fijación y las tapas.
- Limpie la máquina con un paño seco. No utilice agua.
- Solicite a un técnico de reparación cualificado que realice las tareas de servicio utilizando únicamente piezas de repuesto idénticas. Esto garantizará el mantenimiento de la seguridad del producto.
- No modifique ni intente reparar el cortacésped o la batería (según corresponda), excepto según lo indicado en las instrucciones de uso y cuidado.
- Nunca repare las baterías dañadas. La reparación de las baterías únicamente debe ser realizada por el fabricante o los proveedores de servicio técnico autorizados.

El intervalo de temperatura ambiente recomendado:

Elemento	Temperatura
Intervalo de temperatura de almacenamiento del cortacésped	32 °F (0 °C) ~ 113 °F (45 °C)
Intervalo de temperatura de funcionamiento del cortacésped	32 °F (0 °C) ~ 113 °F (45 °C)
Temperatura de carga de la batería	39 °F (4 °C) ~ 104 °F (40 °C)
Intervalo de temperatura de funcionamiento del cargador	39 °F (4 °C) ~ 104 °F (40 °C)
Intervalo de temperatura de almacenamiento de la batería	32 °F (0 °C) ~ 113 °F (45 °C)
Intervalo de temperatura de descarga de la batería	32 °F (0 °C) ~ 113 °F (45 °C)

Funcionamiento en pendientes

Las pendientes son un factor principal relacionado con los accidentes por resbalones y caídas, que pueden provocar lesiones graves. Durante el funcionamiento en pendientes, es necesario tomar precauciones adicionales. Si no se siente seguro en una pendiente, no la siegue.

Cosas que debe hacer:

- En las pendientes debe segarse transversalmente; nunca siegue hacia arriba y abajo. Extreme las precauciones cuando cambie de dirección en pendientes.
- Este atento por si hubiera agujeros, raíces, piedras, objetos ocultos o baches que puedan hacer que resbale o tropiece. La hierba alta puede ocultar obstáculos. Elimine todos los obstáculos como piedras y ramas de árboles.
- Asegúrese de tener un equilibrio estable. Si pierde el equilibrio, suelte el interruptor inmediatamente.

Cosas que no debe hacer:

- Segar cerca de precipicios, zanjas o terraplenes; podría perder el equilibrio.
- Segar en pendientes mayores de 15 grados.
- Segar sobre hierba mojada. Podría perder el equilibrio y resbalar.



ADVERTENCIA

Si no está cómodo, no siegue en una pendiente.

En caso de un cortacésped autopulsado, mantenga una velocidad de autopropulsión baja cuando siegue en una pendiente.

Eliminación de la batería segura para el medio ambiente



Los materiales tóxicos y corrosivos que figuran a continuación se encuentran en las baterías utilizadas en esta máquina: Ion de litio, un material tóxico.

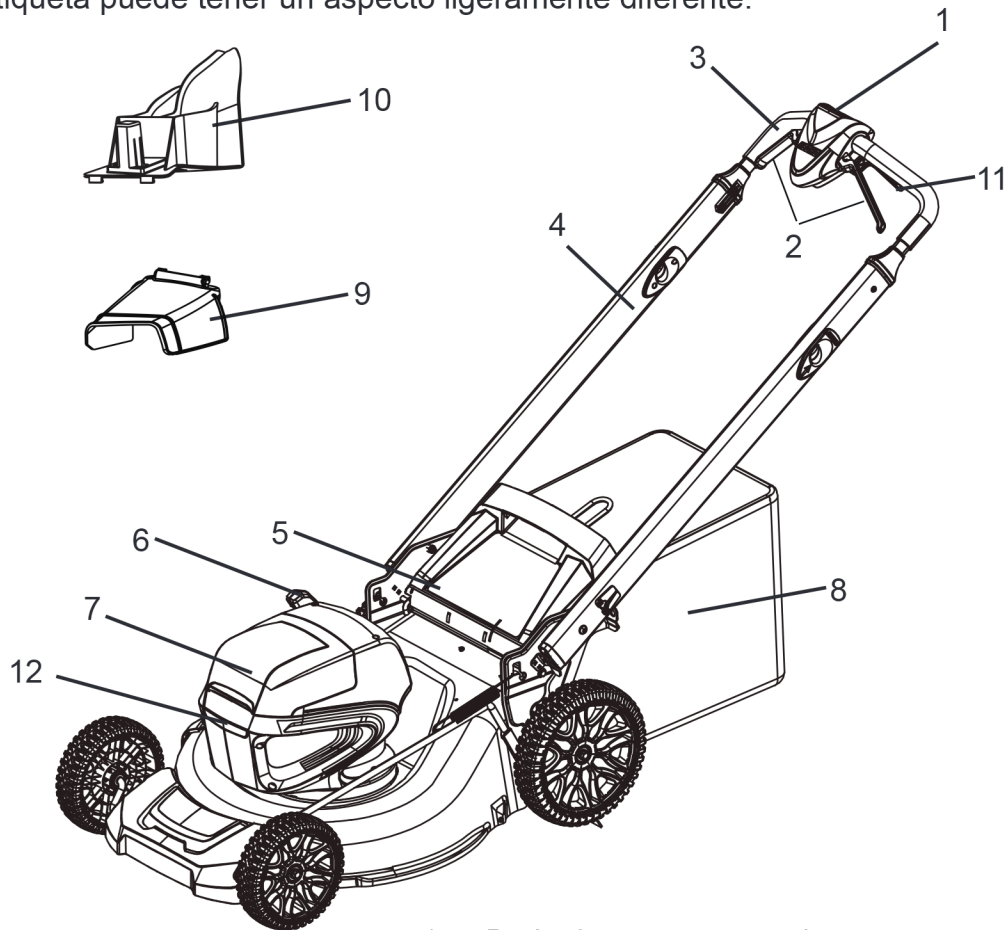
Deseche todos los materiales tóxicos de una manera especificada para evitar la contaminación del medio ambiente. Antes de desechar una batería de ion de litio dañada o agotada, contacte con la agencia local de eliminación de residuos o con la agencia de protección ambiental local para obtener información e instrucciones específicas. Lleve las baterías a un centro de reciclaje o eliminación local, certificado para la eliminación de ion de litio.

Si la batería se agrieta o se rompe, con o sin fugas, no la recargue ni la utilice. Deséchela y sustitúyala por una batería nueva. **¡NO INTENTE REPARARLA!** Para evitar lesiones y riesgos de incendio, explosión o descarga eléctrica, y para evitar daños al medio ambiente:

- Cubra los terminales de la batería con cinta adhesiva resistente.
- NO intente retirar ni destruir ninguno de los componentes de la batería.
- NO intente abrir la batería.
- Si se produce una fuga, los electrolitos liberados son corrosivos y tóxicos. NO deje que la solución entre en contacto con los ojos o la piel, y no la ingiera.
- NO deseche estas baterías con la basura doméstica normal.
- NO incinere.
- NO lleve las baterías a lugares donde formarán parte de vertederos de residuos o flujos de residuos sólidos urbanos.
- Llévelas a un centro de reciclaje o eliminación certificado.

DESCRIPCIÓN

Localice la etiqueta o las etiquetas de seguridad en su unidad. Asegúrese de que las etiquetas sean legibles y de entender y seguir las instrucciones que aparecen en ellas. Si una etiqueta no puede leerse, puede pedir una nueva a un distribuidor ECHO. La etiqueta de seguridad es solo un ejemplo. Su etiqueta puede tener un aspecto ligeramente diferente.



- 1. Botón de puesta en marcha
- 2. Asa de puesta en marcha
- 3. Asa superior
- 4. Asa inferior
- 5. Puerta de descarga trasera
- 6. Palanca de ajuste de altura
- 7. Puerta de la batería
- 8. Recogehierba
- 9. Conducto de descarga lateral
- 10. Tapón de mulching
- 11. Palanca de accionamiento de autopropulsión
- 12. Luz delantera



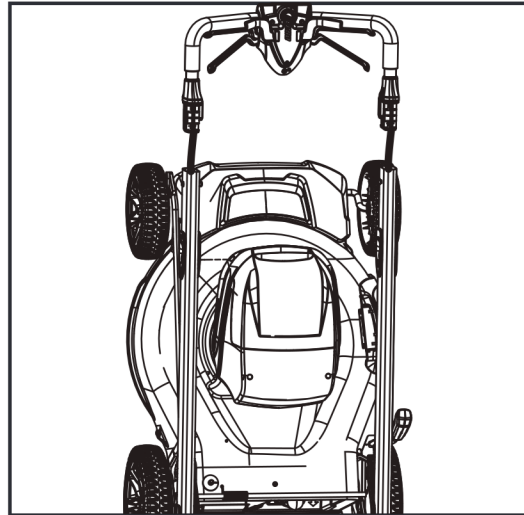
Preparativos para el uso

AVISO

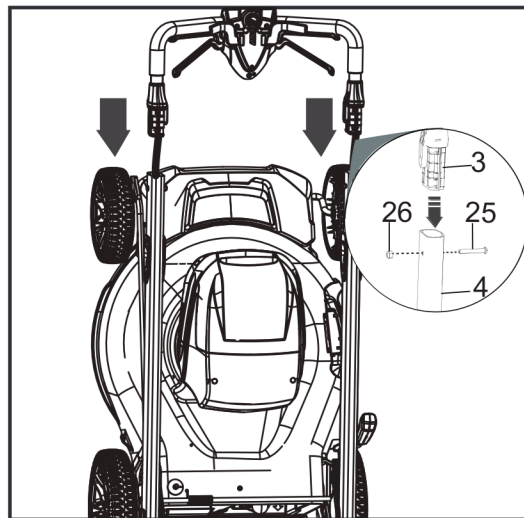
No dañe el cable cuando instale el asa superior.

Instalación del asa superior

1. Coloque el cortacésped en posición vertical.
2. Retire el material de embalaje del cable.
3. Retire la protección del extremo de goma del asa superior.



4. Inserte el asa superior (3) en el asa inferior (4).
5. Meta los pernos (25) por los orificios y apriételos con las tuercas (26) con un destornillador (no incluido).

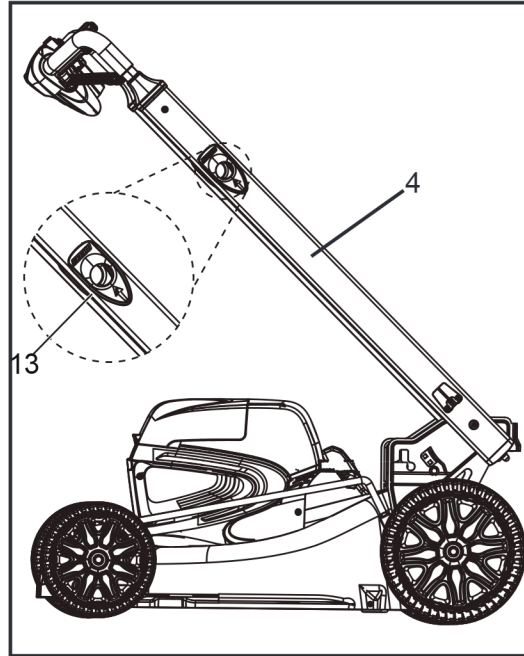


AVISO

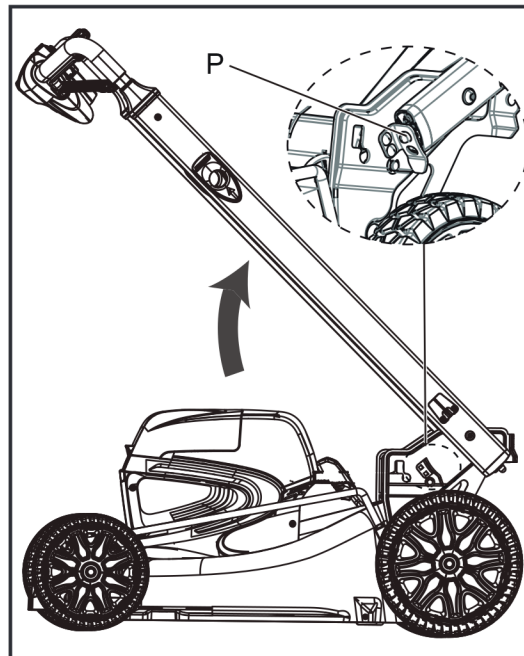
Asegúrese de que los dos pasadores de las asas estén en la misma posición.

Desplegado del asa inferior

1. Tire hacia arriba sobre los orificios del asa (13) para desbloquear las asas inferiores (4).



2. Pliegue el asa inferior hacia arriba hasta que los pasadores del asa (P) se bloqueen en posición.



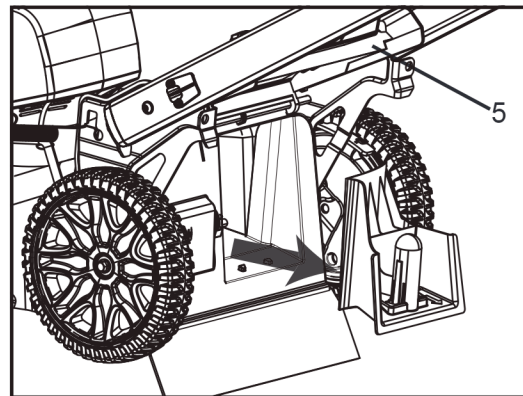
Funciones del cortacésped

Por lo general, un cortacésped cuenta con tres funciones (bolsa trasera/ mulching/ descarga lateral). Estas funciones pueden convertirse cambiando el ajuste de los accesorios. Consulte la siguiente tabla para conocer los detalles de ajuste.

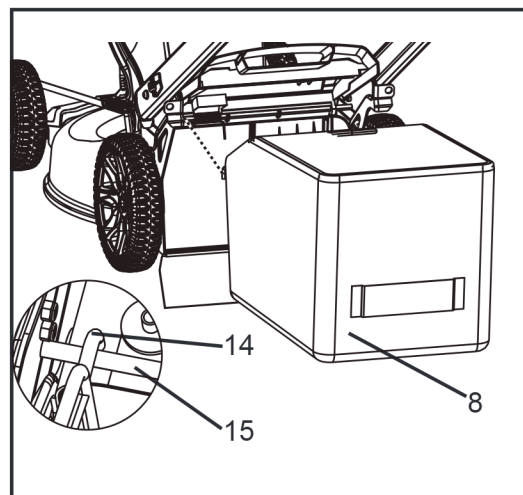
Para convertir el cortacésped	Tapón de mulching	Bolsa recogehierba	Conducto de descarga lateral
Para bolsa trasera	×	√	×
Para mulching	√	×	×
Para descarga lateral	√	×	√

Instalación del recogehierba

1. Retire la batería y la llave de seguridad.
2. Retire el tapón de mulching.
3. Retire el conducto de descarga lateral.
4. Abra la puerta de descarga trasera y sujétela.

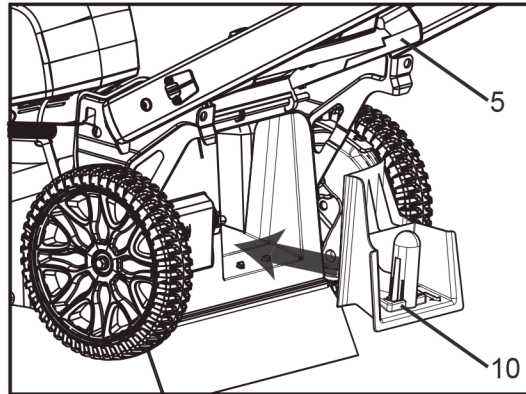


5. Sostenga el recogehierba (8) por el asa y enganche los ganchos (14) en la varilla de la puerta (15).
6. Cierre la puerta de descarga trasera.



Instalación del tapón de mulching

1. Retire la batería y la llave de seguridad.
2. Retire el recogehierba.
3. Abra la puerta de descarga trasera (5) y sujétela.
4. Sujete el tapón de mulching (10) por su asa y colóquelo en el conducto de descarga.
5. Cierre la puerta de descarga trasera.



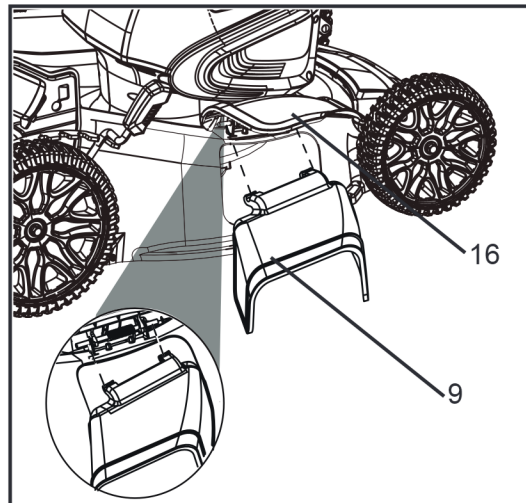
Instalación del conducto de descarga lateral

! ADVERTENCIA

Cuando utilice el conducto de descarga lateral:

- **No instale el recogehierba.**
- **Mantenga instalado el tapón de mulching.**

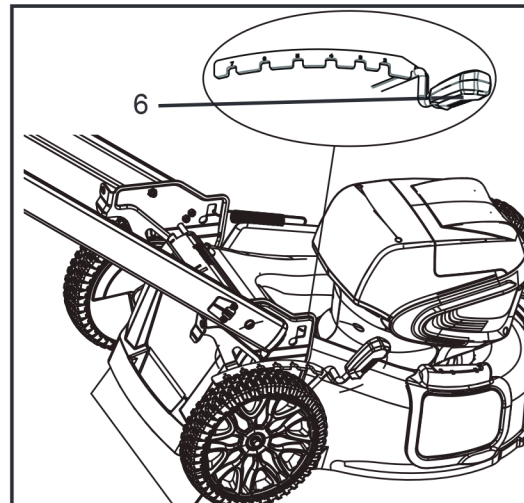
1. Retire la batería y la llave de seguridad.
2. Abra la puerta de descarga lateral (16) y sujétela.
3. Alinee los huecos del conducto de descarga lateral (9) debajo de la articulación.
4. Cierre la puerta de descarga lateral.



Ajuste de la altura de corte

La máquina puede ajustarse a distintas alturas de corte.

1. Tire hacia atrás de la palanca de ajuste de altura (6) para aumentar la altura de corte.
2. Tire hacia delante de la palanca de ajuste de altura para disminuir la altura de corte.



Instalación y retirada de la batería

AVISO

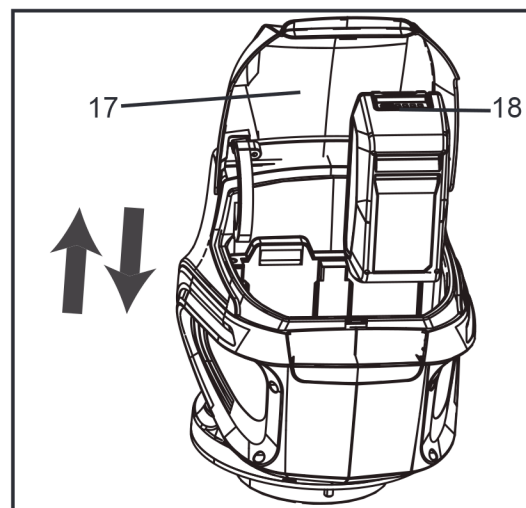
La máquina tiene una función de interruptor automático que permite que la otra batería funcione cuando la primera no puede funcionar. La batería viene parcialmente cargada de fábrica y es necesario cargarla por completo antes del primer uso.

Nota: consulte el Manual del operario que se incluye en el embalaje con la batería.

Instalación de la batería

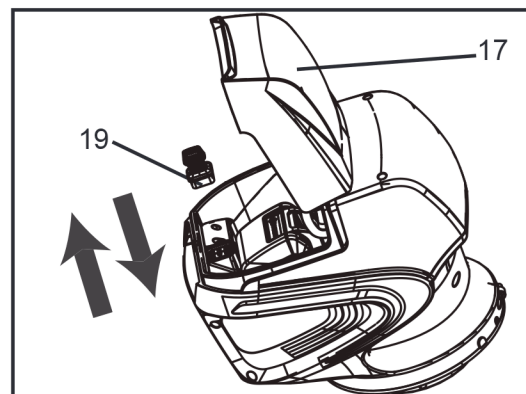
1. Levante y mantenga levantada la puerta de la batería (17).
2. Alinee la batería con el puerto de la batería del cortacésped.
3. Asegúrese de que el botón de desbloqueo de la batería (18) encaje en su posición y que la batería esté totalmente asentada y fijada en el cortacésped antes del funcionamiento.
4. Inserte la llave de seguridad (19).
5. Cierre la puerta de la batería.

Nota: La máquina tiene una función de interruptor automático que permite que la otra batería funcione cuando la primera no puede funcionar. Puede adquirirse una batería adicional a través de un distribuidor.



Retirada de la batería

1. Detenga la máquina.
2. Abra la puerta de la batería (17).
3. Retire la llave de seguridad (19).
4. Presione el botón de desbloqueo de la batería (18) en el cortacésped. Esto hará que la batería se levante de la herramienta ligeramente.
5. Retire la batería del producto.



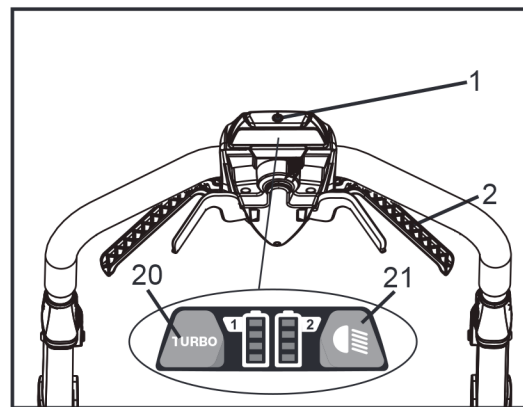
Puesta en marcha de la unidad

⚠ ADVERTENCIA

Al poner en marcha la unidad, respete las precauciones descritas en la sección "Seguridad". De no respetarse las precauciones podría producirse un accidente o una lesión, o incluso la muerte.

Espere hasta que la cuchilla se detenga por completo antes de volver a poner en marcha la máquina. No apague y encienda la máquina rápidamente.

1. Asegúrese de que la llave de seguridad se inserte en la ranura.
2. Pulse y mantenga pulsado el botón de puesta en marcha (1).
3. Mientras mantiene pulsado el botón de puesta en marcha (1), agarre el asa de puesta en marcha (2) en la dirección del manillar.
4. Una vez que la máquina esté en marcha, puede soltar el botón de puesta en marcha.
5. Pulse el botón Turbo (20) para acelerar.
6. Pulse el botón del piloto LED (21) para encender las luces delanteras LED.



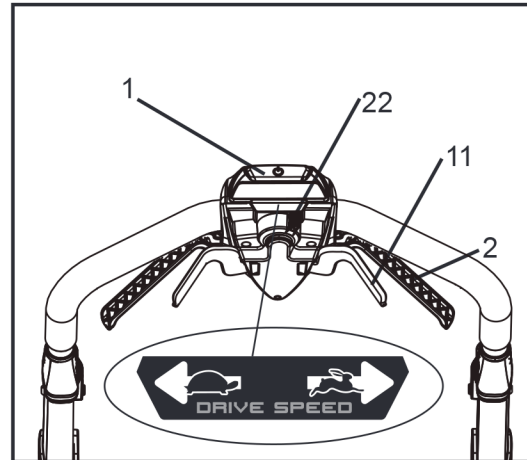
Detención de la unidad

1. Suelte el asa de puesta en marcha para detener la máquina.

Nota: Retire siempre la llave de seguridad y la batería tras finalizar el trabajo.

Sistema de transmisión autopropulsada

1. Ponga en marcha la máquina.
2. Mientras sujeta las asas de puesta en marcha (2), agarre cualquiera de las palancas de accionamiento (11) y tire hacia el manillar.
3. Sujete las asas de puesta en marcha en marcha y las palancas de accionamiento al mismo tiempo.
4. Suelte cualquier conjunto de las asas de puesta en marcha (2) y la palanca de accionamiento (11) del mismo lado.
5. Ajuste el control de velocidad (22) con la mano libre.
 - Deslice el botón de control de velocidad en la dirección del símbolo del conejo para aumentar la velocidad.
 - Tire del botón de control de velocidad en la dirección del símbolo de la tortuga para disminuir la velocidad.
6. Suelte las palancas de accionamiento para desacoplar el sistema de autopropulsión.



Para acoplar el sistema de transmisión autopropulsada mientras el cortacésped no está funcionando:

- Pulse y mantenga pulsado el botón de puesta en marcha (1), posteriormente, levante la palanca de accionamiento (11) o bien, levante la palanca de accionamiento (11), posteriormente, pulse el botón de puesta en marcha (1).

Funcionamiento en pendientes

ADVERTENCIA

No siegue en pendientes con una inclinación superior a 15 grados. Si no está cómodo, no siegue en una pendiente. Mantenga una velocidad de autopropulsión baja cuando siegue en una pendiente.

- No suba y baje en una pendiente, siegue transversalmente la superficie de la misma. Tenga cuidado al cambiar de dirección en una pendiente.
- Supervise los orificios, surcos, piedras y otros objetos ocultos que pueden hacer que se caiga. Elimine todos los obstáculos como piedras y ramas de árboles.
- Asegúrese de tener un equilibrio estable. Si pierde el equilibrio, suelte el asa de puesta en marcha inmediatamente.
- No siegue cerca de precipicios, zanjas o terraplenes.

Vaciado del recogehierba

1. Detenga la máquina.
2. Retire la llave de seguridad.
3. Retire la batería.
4. Abra la puerta de descarga trasera y sujétela.
5. Sostenga el recogehierba por el asa y desengánchelo de la varilla de la puerta.
6. Cierre la puerta de descarga trasera.
7. Vacíe el recogehierba.



Consejos de funcionamiento

- No intente anular el funcionamiento del botón de puesta en marcha o las asas de puesta en marcha.
- No incline la máquina cuando la ponga en marcha.
- No ponga las manos ni los pies cerca o debajo de las piezas giratorias.
- Mantenga limpio el conducto de descarga.
- El corte de hierba húmeda requerirá más potencia y acortará el tiempo de funcionamiento.
- Es necesaria una mayor altura de la cuchilla para césped nuevo o denso.
- Limpie la parte inferior de la plataforma del cortacésped después de cada uso. Retire los recortes de hierba, las hojas, la suciedad y otros residuos.

MANTENIMIENTO



ADVERTENCIA

Las piezas móviles pueden amputar los dedos o provocar lesiones graves.

Mantenga las manos, la ropa y los objetos sueltos alejados de todas las aberturas.

Detenga siempre el motor y asegúrese de que todas las piezas móviles se hayan detenido por completo antes de retirar obstáculos, limpiar residuos o realizar tareas de servicio en la unidad. Deje que la unidad se enfríe antes de realizar tareas de servicio. Lleve guantes para proteger las manos de los bordes afilados y las superficies calientes.



ADVERTENCIA

El manejo de una unidad con un mantenimiento deficiente puede provocar lesiones graves al operario o a los transeúntes. Siga siempre todas las instrucciones de mantenimiento tal y como están escritas, de lo contrario pueden producirse lesiones personales graves.

Su unidad se ha diseñado para proporcionar muchas horas de servicio sin problemas. El mantenimiento periódico programado ayudará a su unidad a lograr ese objetivo. Si no está seguro o no está equipado con las herramientas necesarias, le recomendamos que lleve su unidad a un distribuidor de servicio técnico para su mantenimiento. Para ayudarlo a decidir si quiere hacerlo usted mismo o dejar que lo haga el distribuidor, cada tarea de mantenimiento ha sido clasificada. Si la tarea no aparece en la lista, acuda a un distribuidor para las reparaciones.

Niveles de habilidad

Nivel 1 = Fácil de hacer. Pueden ser necesarias herramientas comunes.

Nivel 2 = Dificultad moderada. Pueden ser necesarias algunas herramientas especializadas.

Nivel 3 = Consulte con el distribuidor.

Intervalos de mantenimiento

COMPONENTE/ SISTEMA	PROCEDIMIENTO DE MANTENIMIENTO	NIVEL HAB. NECESARIO
Diariamente o antes del uso		
Cuchilla	Inspeccionar / Sustituir *	2
Tornillos / Tuercas / Pernos	Inspeccionar / Apretar / Sustituir *	1

AVISO - Los intervalos de tiempo que se muestran son máximos. El uso real y su experiencia determinarán la frecuencia del mantenimiento necesario.

NOTAS SOBRE EL PROCEDIMIENTO DE MANTENIMIENTO:

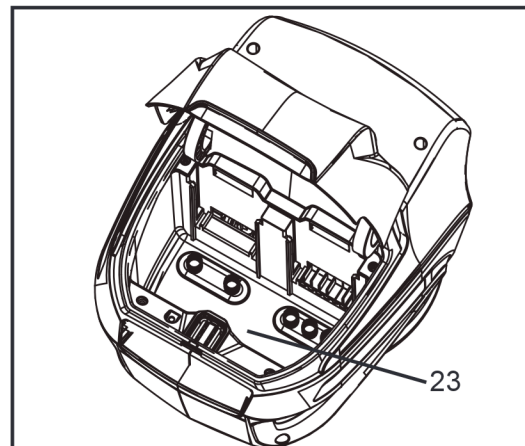
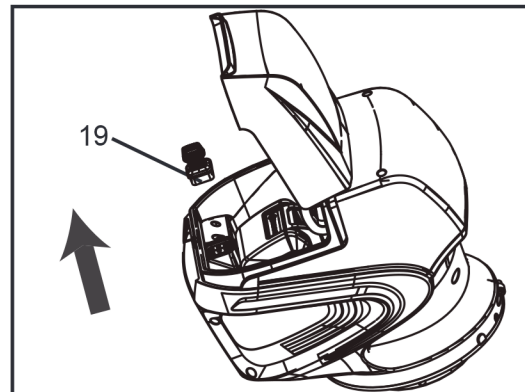
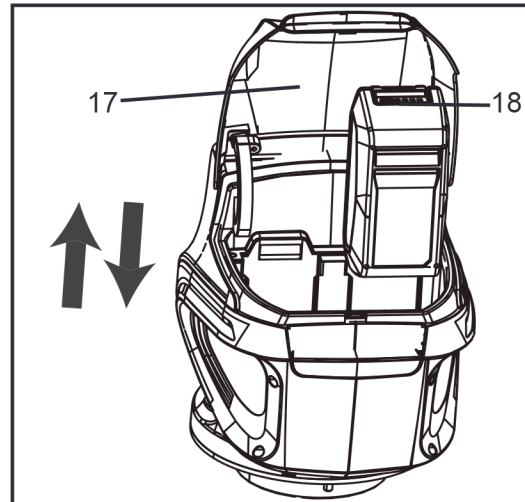
* Se recomienda la sustitución en función del hallazgo de daños o desgaste durante la inspección.

Limpieza de la batería y el compartimento de la batería

⚠ ADVERTENCIA

Riesgo de descarga eléctrica o incendio. No utilice materiales conductores para limpiar la batería ni el compartimento de esta. Retire la llave de seguridad y la batería de la máquina antes de realizar tareas de mantenimiento.

1. Abra la puerta de la batería (17).
2. Presione el botón de desbloqueo de la batería (18) y sáquela del compartimento de la batería.
3. Retire la llave de seguridad (19).
4. Utilice aire comprimido o un cepillo de cerdas suaves para eliminar los residuos de la batería y del compartimento de la batería (23).

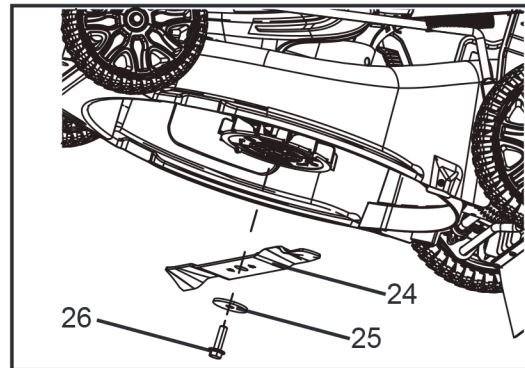


Sustitución de la cuchilla

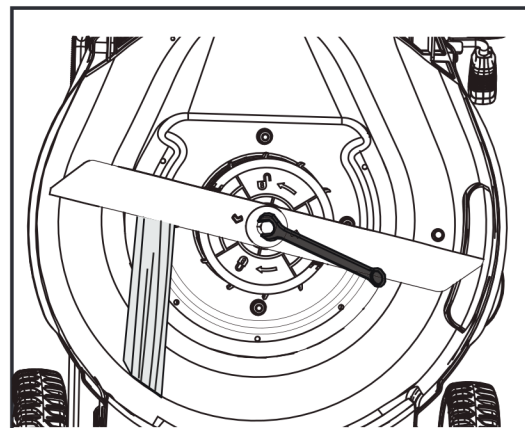
ADVERTENCIA

**Utilice únicamente cuchillas de repuesto aprobadas.
Lleve guantes gruesos o enrolle un trapo alrededor de la cuchilla cuando la toque.**

1. Detenga la máquina.
2. Asegúrese de que la cuchilla se detenga por completo.
3. Retire la llave de seguridad y las baterías.
4. Apoye la máquina sobre un lateral.
5. Utilice un bloque de madera o la herramienta de sujeción de cuchillas especial para cortacéspedes para impedir el movimiento de la cuchilla.
6. Retire el perno de montaje (26) y el espaciador (25) con una llave o una llave de tubo.
7. Retire la cuchilla (24).



8. Instale la cuchilla nueva. Asegúrese de que las flechas del ventilador se acoplen en los orificios de la cuchilla.
9. Coloque el perno de montaje y el espaciador y apriételos. Par de apriete recomendado: 33-37 Nm.



SOLUCIÓN DE PROBLEMAS

Problema	Causa	Solución
El cortacésped no arranca.	La batería no está cargada.	Cargue la batería.
	El interruptor está defectuoso.	Sustituya el interruptor (póngase en contacto con un distribuidor autorizado).
	Hierba atascada entre la plataforma y la cuchilla.	Retire la batería y la llave de seguridad; compruebe si hay atascos debajo de la plataforma.
	La batería no está insertada por completo en el cortacésped.	Compruebe la conexión entre la batería y el cortacésped. Asegúrese de que la batería encaje en su posición.
	La batería puede necesitar servicio o sustitución.	Contacte con un distribuidor o sustituya la batería.
El cortacésped corta la hierba irregularmente.	El césped es agreste o irregular.	Compruebe la superficie de segado.
	La altura de corte no se ha ajustado correctamente.	Mueva las ruedas a una posición más alta.
	La cuchilla está desafilada.	Afile o sustituya la cuchilla.
El cortacésped no realiza la función de mulching correctamente.	Los recortes de hierba húmedos se adhieren a la parte inferior de la plataforma.	Retire la batería y limpie la unidad. Espere hasta que la hierba se seque antes de segar.
	Falta el tapón de mulching.	Instale el tapón de mulching.

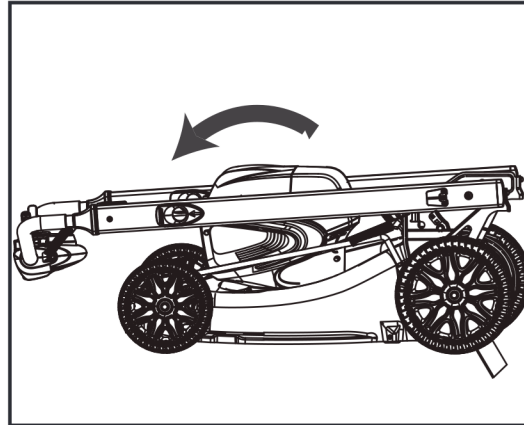
Problema	Causa	Solución
Es difícil empujar el cortacésped.	La hierba está demasiado alta o la altura de corte es demasiado baja.	Eleve la altura de corte.
	La parte trasera de la bolsa recogehierba se arrastra en la hierba densa.	Vacíe los recortes de hierba de la bolsa recogehierba.
El cortacésped es excesivamente ruidoso y vibra.	El eje del motor está doblado.	Detenga el motor e inspeccione si hay daños. Contacte con un distribuidor en caso de reparaciones.
	La cuchilla está desequilibrada.	Repare antes de volver a poner en marcha. Si la vibración persiste, contacte con un distribuidor.

ALMACENAMIENTO

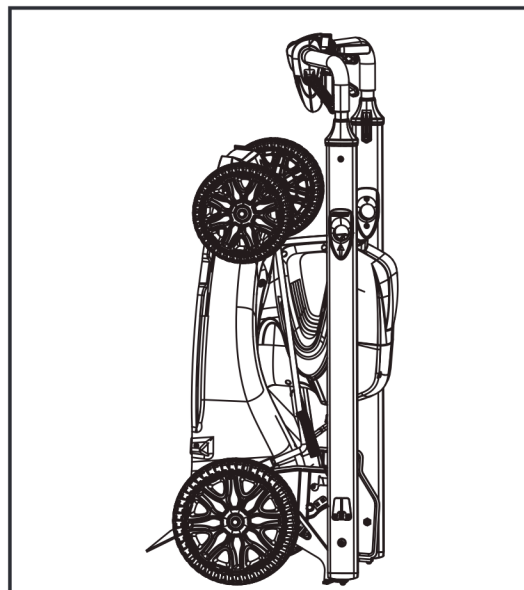
Almacenamiento vertical

No almacene su unidad sin realizar un mantenimiento de protección para el almacenamiento que incluya lo siguiente:

1. Retire el recogehierba.
2. Retire la batería y la llave de seguridad.
3. Apriete por los orificios del asa para plegarlas.



4. Bloquee las asas en posición.
5. Coloque la máquina sobre un extremo y asegúrese de que los soportes toquen el suelo.



Almacenamiento tras el uso

Cuando almacene el producto durante largos periodos de tiempo, asegúrese de realizar los siguientes preparativos para el almacenamiento.

Cortacésped

No almacene su unidad sin realizar un mantenimiento de protección para el almacenamiento que incluya lo siguiente:

1. Apague la alimentación de la unidad.
2. Retire la batería del cortacésped.
3. Elimine la acumulación de suciedad y residuos del exterior de la unidad.
4. Apriete todos los tornillos y tuercas.
5. Cierre la puerta de la batería.
6. Almacene la unidad en un lugar seco, sin polvo y lejos del alcance de los niños.

Batería

1. Retire la batería del cortacésped.
2. Almacene en un lugar seco, sin polvo y lejos del alcance de los niños.
3. Almacene a temperaturas entre -4°F (-20°C) y 140°F (60°C).
4. Si la batería se ha almacenado durante más de seis meses, cárguela al 100% de su capacidad.

Cargador

1. Retire la batería del cargador.
2. Desconecte el cargador del suministro eléctrico.
3. Almacene en un lugar seco, sin polvo y lejos del alcance de los niños.

ESPECIFICACIONES

MODELO	DLM-2100SP
Velocidad sin carga	2800 RPM, 3200 RPM
Ajustes de altura	1 - 4" (3 - 10 cm)
Velocidad autopropulsada	1,35 - 2,95 MPH (0,6 - 1,3 m/s)
Funciones	3 en 1 mulching, bolsa trasera y descarga lateral
Peso	65,48 lbs (29,7 kg)
Batería: Modelo Tipo Tensión Tipo de cargador Tensión de entrada del cargador	Batería de la serie de baterías ECHO eFORCE™ 56V Li-ion 56 (nominal 50,4) CCCV 120V CA 60Hz
Modelo de cargador	Cargador para serie de batería ECHO eFORCE™ 56V
Pilotos del cargador ○ Apagado ● Verde intermitente ○ Apagado ● Verde ● Rojo ○ Apagado ☺ ● Rojo intermitente ○ Apagado	Batería cargando Totalmente cargada La batería está demasiado caliente: (Retire durante aprox. 30 minutos para dejar que se enfríe) Batería defectuosa: (Retire y sustituya por una batería nueva si sucede esto)
Tiempo de carga	Consulte el manual del operario de la batería

REGISTRO DEL PRODUCTO

Gracias por elegir un equipo eléctrico de ECHO

Vaya a <http://www.echo-usa.com/Warranty/Register-Your-ECHO> para registrar su nuevo producto en línea. ¡Es RÁPIDO y FÁCIL! NOTA: su información nunca será vendida ni mal empleada por ECHO, Incorporated.

El registro de su compra nos permite ponernos en contacto con usted en el improbable caso de que se produzca una actualización de servicio o una retirada del producto, y verifica su propiedad para la consideración de la garantía.

Si no tiene acceso a Internet, puede rellenar el siguiente formulario y enviarlo por correo a:

***ECHO Incorporated, Product Registration, PO Box 1139,
Lake Zurich, IL 60047.***

ECHO PRODUCT REGISTRATION CARD : TARJETA DE REGISTRO : CARTE D'ENREGISTREMENT DU PRODUIT

<p>ONLINE OPTION: Register online and save a stamp! You will be alerted of product updates and/or be sent new ECHO product information and special offers. Simply go to: www.echo-usa.com</p>	<p>OPCIÓN POR INTERNET: ¡Regístrese en la página web y ahorre una estampilla! Le alertarán sobre actualizaciones del producto y/o se le enviará información sobre los nuevos productos ECHO y las ofertas especiales. Simplemente visite: www.echo-usa.com</p>
<p>OPTION EN LIGNE : Enregistrer en ligne et épatagner un timbre! Vous serez informé sur les nouveaux produits ECHO et les mises à jour de produit ainsi que les offres spéciales. Simplement visitez le: www.echo-usa.com</p>	

Please Print : Por Favor Enscriba Con Letra De Molde : En Lettre Carré S.V.P. Confidential: Information provided will not be shared or sold

Purchaser's Name : Nombre del Comprador : Nom de l'acheteur	
Address : Dirección : Adresse	
City : Ciudad : Ville	State : Estado : Province
Zip Code : Código Postal : Code Postal	
E-Mail Address : Dirección De Correo Electrónico : Courrier Électronique	
Phone Number : Número De Teléfono : Téléphone	Date of Purchase : Fecha de la Compra : Date de l'achat
Where Purchased : Nombre del Almacén donde fue Comprado : Lieu d'achat	
Model Number : Numero del Modelo : No. de modèle	Serial Number : Numero de Serie : No. de série

Registering your purchase enables us to contact you in the unlikely event of a service update or product recall and verifies your ownership in the event of loss. : El registrar su compra nos permite estar en contacto con usted en caso de cualquier evento como el aviso de tiempo de servicio o la revocación del producto y verificación de propiedad en caso de robo o pérdida. : L'enregistrement de votre achat nous permettra de vous contacter dans le cas improbable de modifications des instructions d'entretien ou de rappel du produit et vérifier que vous êtes le propriétaire en cas de vol ou de perte.

Primary use of tool: Professional Homeowner Rental Equip.
 Uso primario de la herramienta: Profesional Dueño de casa Alquiler
 Usage principal: Professionnel Residential Location
 Do you wish to receive periodic ECHO product information and special offers by e-mail? Yes No
 ¿Desea usted recibir información periódica y ofertas especiales por correo electrónico sobre el producto ECHO? Yes No
 Souhaitez-vous recevoir périodiquement de l'information sur les produits ECHO et les offres spéciales par courrier électronique ? Oui Non
 Did you visit the ECHO website before purchasing your product? Yes No
 Visité usted la página web ECHO antes de comprar su producto? Si No
 Avez-vous visité le site d'ECHO avant de procurer votre produit? Oui Non

What factor(s) most influenced your purchase?
 Performance Price Dealer
 Reliability Prior Experience Quality
 Friend/Family Brand Warranty
 ¿Qué factor(es) influyó más en su compra?
 Funcionamiento Precio Distribuidor
 Confabilidad Experiencia Anterior Calidad
 Amigo/Familia Marca Garantía
 Quel facteur (facteurs) vous a influencé le plus?
 Performance Prix Marchand
 Fiabilité Expérience Qualité
 Ami/Famille Marque Garantie

ECHO INC., 400 Oakwood Rd., Lake Zurich, IL 60047
 1.800.432.ECHO WWW.ECHO-USA.COM X7572270206 02-2012



**Declaración de garantía limitada para ECHO de 56 voltios
Productos vendidos en EE.UU. y Canadá**

ECHO Incorporated garantiza al comprador minorista original que este producto de exterior de 56 voltios de la marca ECHO carece de defectos de material y mano de obra y se compromete a reparar o sustituir, a criterio de ECHO Incorporated, cualquier producto defectuoso sin cargo alguno en los siguientes plazos de tiempo a partir de la fecha de compra:

- Si el producto es para uso doméstico:
 - Unidad – 5 años
 - Batería o cargador – 2 años
- Si el producto es para uso comercial:
 - Motosierra – 1 año
 - Todas las demás unidades – 2 años
 - Batería o cargador – 1 año
- Si el producto es para uso de alquiler: 90 días para todas las unidades, baterías y cargadores.
- Accesorios de corte tales como, por ejemplo, barras, cadenas, piñones, cuchillas, dientes, correas, PowerBroom™ y los cabezales de corte de nailon para uso doméstico, o que no generen ingresos, estarán cubiertos por fallos debidos a defectos en los materiales o en la mano de obra durante un periodo de 60 días a partir de la fecha de compra original del producto y de 30 días para uso comercial/de alquiler. Cualquier uso indebido por contacto con hormigón, rocas u otras estructuras no está cubierto por esta garantía.

La presente garantía se extiende únicamente al comprador minorista original y comienza en la fecha de la compra minorista original.

Cualquier pieza de este producto que, a criterio razonable de ECHO Incorporated, esté defectuosa en cuanto a materiales o mano de obra, será reparada o sustituida sin cargo alguno en concepto de piezas y mano de obra por un distribuidor autorizado de ECHO. Las unidades, las piezas de reparación y los accesorios sustituidos en virtud de esta garantía están garantizados únicamente durante el resto del periodo de garantía original.

El producto, incluida cualquier pieza defectuosa, debe ser devuelto a un distribuidor autorizado de ECHO dentro del periodo de garantía. Los gastos de entrega del producto al centro de servicio técnico para el trabajo de garantía y los gastos de devolución al propietario después de la reparación o sustitución correrán a cargo del propietario. La responsabilidad de ECHO Incorporated con respecto a las reclamaciones se limita a realizar las reparaciones o sustituciones necesarias y ninguna reclamación por incumplimiento de la garantía será causa de cancelación o rescisión del contrato de venta de ningún producto de exterior de 56 voltios de la marca ECHO. El distribuidor exigirá un comprobante de compra para justificar cualquier reclamación bajo garantía. Todos los trabajos bajo garantía deben ser realizados por un distribuidor autorizado de ECHO.

Esta garantía no cubre ningún producto que haya sido sometido a mal uso, descuido, negligencia o accidente, o que haya sido manejado de cualquier forma contraria a las instrucciones de funcionamiento especificadas en el Manual del operario.

Esta garantía no se aplica a ningún daño del producto que sea resultado de un mantenimiento inadecuado o a cualquier producto que haya sido alterado o modificado. La garantía no se extiende a las reparaciones necesarias por el desgaste normal o por el uso de piezas o accesorios que sean incompatibles con el producto de exterior de 56 voltios de la marca ECHO o que afecten negativamente a su funcionamiento, rendimiento o durabilidad. Adicionalmente, esta garantía no cubre el desgaste de elementos normales como, por ejemplo, los siguientes:

elementos de desgaste como mandos de avance, carretes exteriores, hilos de corte, bobinas interiores, arandelas de fieltro, pasadores de enganche, cuchillas de mulching, ventiladores del soplador, tubos del soplador y de aspiración, bolsa de aspiración y correas, barras de guía, cadenas de sierra, bolsa recogehierba, cuchillas del cortasetos y ruedas.

ECHO Incorporated se reserva el derecho de cambiar o mejorar el diseño de este producto sin asumir ninguna obligación de modificar cualquier producto fabricado anteriormente.

Todas las garantías implícitas están limitadas en su duración al periodo de garantía establecido. En consecuencia, cualquier garantía implícita de este tipo, incluidas la comerciabilidad, la idoneidad para una finalidad en particular, o de otro tipo, se rechaza en su totalidad después de la finalización del periodo de garantía correspondiente de cinco años, dos años, un año, 90 días, 60 días o 30 días. La obligación de ECHO Incorporated en virtud de esta garantía se limita estricta y exclusivamente a la reparación o sustitución de las piezas defectuosas. ECHO Incorporated, no asume ni autoriza a nadie a asumir ninguna otra obligación en su nombre. Algunos estados no permiten limitaciones a la duración de una garantía implícita, por lo que es posible que la limitación anterior no sea aplicable en su caso. ECHO Incorporated, no asume ninguna responsabilidad por daños fortuitos, consecuentes o de otro tipo, incluidos, por ejemplo, los gastos de devolución del producto a un distribuidor autorizado de productos de exterior de 56 voltios de la marca ECHO y los gastos de entrega de vuelta al propietario, el tiempo de desplazamiento del mecánico, los gastos de teléfono, el alquiler de un producto similar durante el tiempo en que se realice el servicio de garantía, los desplazamientos, la pérdida o el daño de bienes personales, la pérdida de ingresos, la pérdida de uso del producto, la pérdida de tiempo o las molestias. Algunos estados no permiten la exclusión o la limitación de los daños fortuitos o consecuentes, por lo que es posible que la limitación o exclusión anterior no sea aplicable en su caso.

Esta garantía le otorga derechos legales específicos; también puede poseer otros derechos que varían de un estado a otro.

Esta garantía se aplica a todos los productos de exterior de 56 voltios de la marca ECHO, fabricados por o para ECHO Incorporated, y vendidos en los Estados Unidos y Canadá.

Para localizar al distribuidor autorizado de ECHO más cercano, visite www.ECHO-usa.com o llame al número 1-800-432-ECHO (3246).

NOTAS

405LMS000001 - 405LMS999999



ECHO INCORPORATED

400 Oakwood Road

Lake Zurich, IL 60047

www.echo-usa.com