



AMERICAN GOURMET

BY CHAR-BROIL®

CHARCOAL GRILL 625 PARRILLA DE CARBÓN 625

MODEL | MODELO
21302030

Serial number | Número de serie

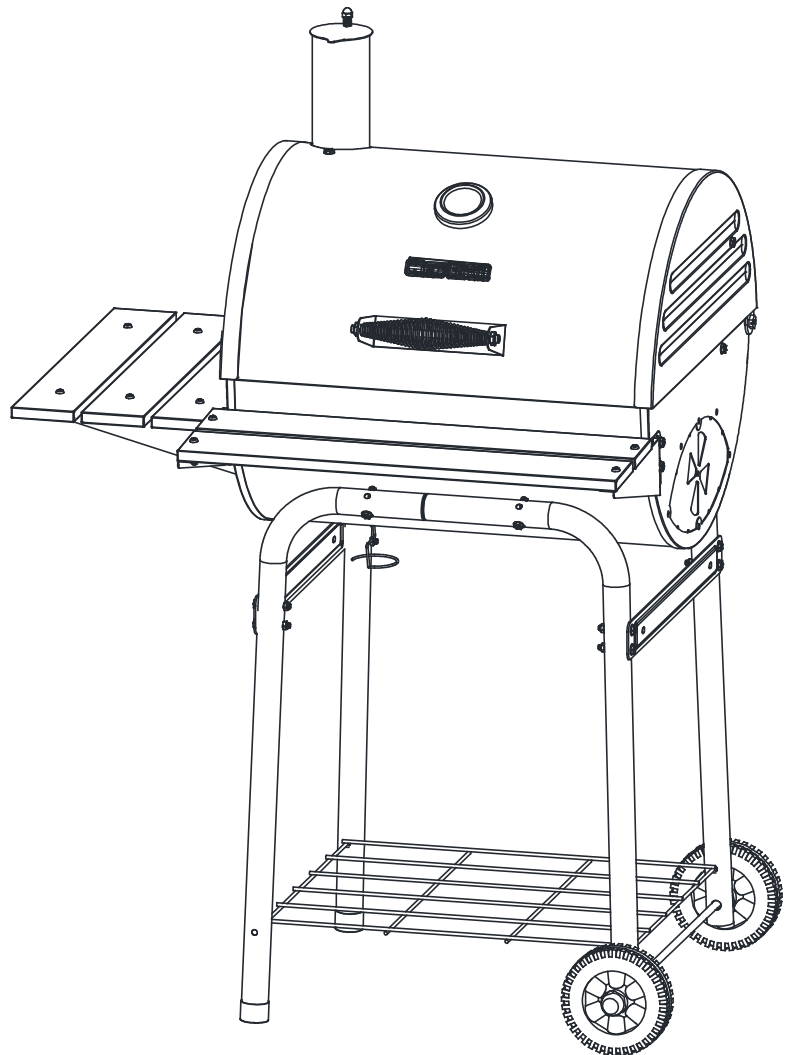
See rating Label on grill for serial number.

El número de serie se encuentra en la etiqueta de especificaciones de la parrilla.

Date purchased | Fecha de compra

If you have questions or need assistance during assembly, please call 1-800-241-7548.

Si tiene alguna pregunta o si Necesita ayuda durante el Ensamblado, llámenos Al 1-800-241-7548.



Tools needed for assembly:

Phillips Screwdriver

Two adjustable wrenches

(Tools not provided)

Herramientas necesarias para el armado:

Destornillador Phillips

Dos llaves regulables

(Las herramientas no previstas)

FOR OUTDOOR USE ONLY

This instruction manual contains important information necessary for the proper assembly and safe use of the appliance. Follow all warnings and instructions when using the appliance.

Safety Symbols

The symbols and boxes shown below explain what each heading means. Read and follow all of the messages found throughout the manual.

	WARNING	
WARNING: Indicates a potentially hazardous situation which, if not avoided, could result in death or serious injury.		

	CAUTION	
CAUTION: Indicates a potentially hazardous situation or unsafe practice which, if not avoided, may result in minor or moderate injury.		

INSTALLER/ASSEMBLER:

Leave this manual with consumer.

CONSUMER:

Keep this manual for future reference.

WARNING:

- Combustion byproducts produced when using this product contain chemicals known to the State of California to cause cancer, and birth defects, or other reproductive harm.
- This product can expose you to lead, which is known to the State of California to cause cancer and birth defects or other reproductive harm. For more information go to www.P65Warnings.ca.gov.

ESTE JUEGO SÓLO SE PUEDE USAR EN EXTERIORES

Este manual de instrucciones contiene información importante, necesaria para armar el aparato adecuadamente y usarlo de manera segura. Cuando use el aparato, siga todas las advertencias y las instrucciones.

Símbolos de seguridad

Los símbolos y las casillas ilustradas más adelante explican lo que significa cada encabezado. Lea y cumpla todo lo indicado en los mensajes que se encuentran en el manual.

	ADVERTENCIA	
ADVERTENCIA: Indica una situación potencialmente peligrosa que, de no evitarse, podría causar la muerte o lesiones graves.		

	PRECAUCIÓN	
ADVERTENCIA: Indica una situación potencialmente peligrosa o una práctica insegura que, de no evitarse, podría causar lesiones leves o menores.		

A LA PERSONA QUE INSTALE O ARME ESTA PARRILLA:

Deje este manual al cliente.

AL CONSUMIDOR:

Conserve este manual para que lo pueda consultar en el futuro.

ADVERTENCIA

- Los subproductos de la combustión producidos al usar este producto contienen sustancias químicas que el Estado de California sabe que causan cáncer y defectos de nacimiento u otros daños reproductivos.
- 2. Este producto puede exponerlo al plomo, que según el estado de California es causante de cáncer y defectos de nacimiento u otros daños reproductivos. Para obtener más información, vaya a www.P65Warnings.ca.gov.

 **WARNING** 

- **ATTENTION!** This grill will become very hot, do not move it during operation.
- Do not use indoors! This grill is for outdoor use only. Use the grill in a well-ventilated area.
- **WARNING!** Do not use spirit or petrol for lighting or re-lighting!
- **WARNING!** Keep children and pets away.
- The grill has to be installed on a secure level base prior to use.
- Do not use within 1 m of any flammable structure or under any combustible surface.
- Ash catcher pan must be fully installed during operation. Failure to properly install could result in hot embers falling from grill.
- Burning of solid fuels produces carbon monoxide, which has no odor and can kill! Therefore, never use this appliance indoors or bring indoors if not fully extinguished.
- After a charcoal fire appears extinguished, unconsumed embers can retain heat for up to 24 hours, and if exposed to fresh air, can burst into flame unexpectedly. Any such embers outside the firebox of the grill pose a fire hazard and can ignite combustible surfaces such as wooden decks.
- Failure to read and follow instructions for lighting charcoal may result in serious personal injury and/or property damage.
- Always use caution when handling hot coals to prevent injury.
- Always light the fire with the grill lid open.

 **CAUTION** 

- Some parts may contain sharp edges! Wear protective gloves if necessary.
- Most surfaces on this unit are hot when in use. Use extreme caution. Do not touch metal parts of the grill until it has completely cooled to avoid burns, unless you are wearing protective gloves.
- **THIS UNIT IS HEAVY! DO NOT** attempt to assemble without a helper.

Safety and Care Advice

- Please read the instruction manual before using the grill!
- Follow all warnings and instructions when using the grill. Failure to read and follow the instructions could result in serious personal injury and/or property damage.
- Keep this manual for future reference.
- If you have any queries regarding these instructions, contact your local dealer.
- Do not use the grill unless it's completely assembled and all parts are securely fastened and tightened.
- For residential use only. Do not use for commercial cooking.

Operation and Lighting Procedure

- The grill is designed for use with charcoal briquettes or lump charcoal. Do not exceed 2 lbs (0,9 kg) of charcoal.
- Set up or place grill in a safe location.
- The grill shall be heated up and the fuel kept red hot for at least 30 minutes prior to the first cooking.
- Prior to cooking with your grill the first time:
 - a. Brush all interior surfaces, including grills and grates, with vegetable oil.
 - b. Build a small fire in the charcoal pan.
 - c. Close lid after flames subside, position dampers at approximately ¼ turn open. This burn should be sustained for at least 30 minutes.
- Place charcoal into a pyramid-shaped pile in the center of the charcoal pan.
- Light charcoal. Always light the fire with the lid open. Keep lid open for as long as the charcoal burns with flames.
- Never add charcoal lighter fluid to hot or warm coals as flashbacks may occur causing injury.
- After charcoal appears to have a coating of ash and flames have subsided (12-15 minutes), spread coals evenly across charcoal pan. Replace cooking grids and close lid to pre-heat the cooking surface.
- Do not cook before the fuel has a coating of ash.

 **WARNING** 

- Always open lid BEFORE opening the charcoal access door to check fire or fuel.
- Always open the ash door slowly. Never attempt to look inside the grill while opening the charcoal door when the grill is in use.
- Failure to follow these instructions could result in injury.
- Unburned gas can accumulate and cause a flash fire if the lid is not opened first.

Maintenance

- Rust can appear on the inside of your grill. Maintaining a light coat of vegetable oil on the interior surfaces will aid in the protection of your grill. Exterior surfaces of the grill may need occasional touch up. We recommend the use of commercially available black high temperature spray paint. **NEVER PAINT THE INTERIOR OF THE GRILL!**
- Frequency of clean up is determined by how often the grill is used.
- Make sure coals are completely extinguished before cleaning inside of the unit. Thoroughly rinse with water and allow to air dry before using again. Wipe out the interior of the unit with a cloth or paper towels. When finished cooking, and the unit has adequately cooled, clean out all remaining ashes. Ashes collect moisture, which can lead to premature rusting and decay.
- If a bristle brush is used to clean any of the cooking surfaces, ensure no loose bristles remain on cooking surfaces prior to grilling. It is not recommended to clean cooking surfaces while grill is hot.

PREPARING TO USE YOUR GRILL

Before cooking with your grill, the following steps should be closely followed to both cure the finish and season the interior steel. Failure to properly follow these steps may damage the finish and/or impart metallic flavors to your first foods.

- Brush all interior surfaces including grills and grates with vegetable cooking oil.
- Build a small fire on the charcoal grate or pan, being sure not to lay coals against the walls.
- Close lid, position dampers at approximately one quarter turn open. This burn should be sustained for at least two hours. Begin increasing the temperature by opening the dampers halfway and adding more charcoal. Your grill is now ready for use.

Rust can appear on the inside of your grill. Maintaining a light coat of vegetable oil on the interior surfaces will aid in the protection of your grill. Exterior surfaces of the grill may need occasional touch up. We recommend the use of commercially available black high temperature spray paint. NEVER PAINT THE INTERIOR OF THE GRILL!

Please see information regarding Uncoated Cast Iron Grates below.

First Time Use:

Before using a cast iron grate or other cast iron cooking tool, wash it thoroughly with a mild dishwashing liquid to remove the protective wax coating applied for shipping. Rinse with hot water and dry completely with a soft cloth or paper towel. NEVER ALLOW TO DRAIN DRY OR WASH IN A DISHWASHER. Now season the grates to prevent rust and sticking.

Seasoning:

A solid vegetable shortening is recommended for the initial seasoning. Spread a thin coating of solid vegetable shortening over the entire surface, including all corners, with a paper towel. Do not use salted fats such as butter or margarine. Preheat grill for 15 minutes; carefully place grates in the grill. Allow the grill to heat grates for 1 to 1 ½ hours. Allow the fire to burn out on its own, and leave cooking grates in grill until they are cool. Your cast iron cooking grates are now ready to use.

To Prevent Rusting:

Re-season your grates frequently, particularly when new. If rust occurs, it is an indication that the grates have not been seasoned enough or the seasoning has been burned off. Clean with a heavy brush. Reapply vegetable shortening and heat as indicated above to re-season the grates.

Maintenance:

Do not do a burn-off after you grill, but rather leave the cooking residues on the grates to keep a protective coating on the cast iron. Do a burn-off just before you grill. The more you use your cast iron grates, the easier the maintenance will be. Store in a dry place. If you store your grates for an extended period of time, apply a light coating of vegetable shortening, then wipe dry with a paper towel.

Know When Your Fire is Ready

Successful charcoal grilling depends on a good fire. The general rule for knowing when your coals are ready for grilling is to make sure that 80 percent or more of the coals are ashy gray. Using caution, arrange the hot coals on your charcoal grate based on your desired method of cooking. Here are a few steps you can take to adjust the temperature of your fire:

- If it is too hot, spread the coals out a bit more, which makes the fire less intense.
- Raise or lower the adjustable charcoal grate.
- Partially close the vents in the grill, which reduces the amount of oxygen that feeds the fire.
- Use the indirect grilling method, with coals to either side of drip pan and the food over the pan rather than directly over the coals.
- In the event of a severe flare-up, spray the flames with water from a squirt bottle. Be careful, spraying with water tends to blow ashes around and make a mess.
- Add briquettes 2 or 3 at a time to increase the burn time. Allow 10 minutes for coals to ash over before adding more.

Direct and Indirect Grilling

Direct Grilling - For most grilling, the ignited coals are spread in a single layer under the food. This is called direct grilling and is appropriate for relatively quick-cooking items such as hamburgers, steaks and most seafood. The single layer of coals emits even, steady heat, whether the grill lid is open or closed, and represents the way most people grill. For more control, pile some of the coals on one side of the grill where they will emit intense heat. You can move the food around on the grill, setting it over the very hot coals when you want to sear it or when a thick piece needs to cook a little more quickly. You can also use the adjustable charcoal grate and dampers to control the temperature in your grill.

Indirect Grilling - For items that take longer to cook, you will want to use indirect grilling. This method is for long, slow cooking in a covered grill. For indirect cooking, the coals are piled two or three coals deep on one side of the grill, or divided and piled on two sides. This leaves an empty space next to the coals or between them. Food cooked over indirect heat is often started over direct heat and then moved to the cooler (empty) part of the grill for even, slow cooking. To make the heat as even as possible, construct two piles of coals. It is common to place a metal drip pan in the empty space beside or between the coals, which is filled with water, wine, beer, broth, or a combination. Place the food directly over the drip pan. This injects a little extra moisture into the cooking environment and also catches dripping juices, which makes clean-up a little easier and reduces the possibility of flare-ups. (Remember to keep a spray bottle filled with water on hand to extinguish any flare-ups.) Once you get used to the indirect method, you may prefer to use it for more grilling tasks. Although it may take a little longer, it is an excellent cooking method and a sure way to prevent the food from burning and to promote even cooking.

Grilling with Wood Chips/Wood Chunks

For a more robust smoke flavor while using charcoal briquettes or lump charcoal, try adding wood chips or several wood chunks to the fire. Wood chunks are available in a variety of natural flavors, and can be used alone or in addition to charcoal. As a general rule, any hardwood that bears a fruit or nut is suitable for cooking. However, different woods have very different tastes. Experiment with different woods to determine your personal favorite, and always use well-seasoned wood. Green or fresh-cut wood can turn food black, and tastes bitter.

Our Recommendations:

- Chicken** - Alder, Apple, Hickory, Mesquite
- Beef** - Hickory, Mesquite, Oak
- Pork** - Fruitwoods, Hickory, Oak
- Lamb** - Fruitwoods, Mesquite
- Veal** - Fruitwoods, Grapevines
- Seafood** - Alder, Mesquite
- Vegetables** - Mesquite

COOKING TIPS

Building Your Fire

1. Stack charcoal briquettes or wood into a pyramid-shaped pile on top of the charcoal grate. We recommend using 2 pound (approximately 30 briquettes) to start your fire, adding more as needed.
2. If using lighter fluid, a chimney starter, electric starter, or other type of fire starter, light your fire according to the manufacturer's instructions.
3. **Always light the fire with the grill lid open.** Leave lid open until briquettes are fully lit. Failure to do this could trap fumes from charcoal lighter fluid in grill and may result in a flash fire when lid is opened.
4. Never add charcoal lighter fluid to hot or warm coals as flashbacks may occur causing injury.
5. You are ready to begin cooking when the pile of briquettes ashes over and produces a red glow (approximately 12 – 15 minutes).
6. Depending on your cooking method, either leave the briquettes in a pile or spread evenly across the charcoal grate using a long-handled poker.

USDA Recommended	
Internal Cooking Temperatures	
Ground Meat	
Beef, Pork, Veal, Lamb.....	160°F
Turkey, Chicken.....	165°F
Fresh Beef, Veal, Lamb	
Medium Rare.....	145°F
(let stand 3 minutes before cutting)	
Medium.....	160°F
Well Done.....	170°F
Poultry	
Chicken & Turkey, whole.....	165°F
Poultry Parts.....	165°F
Duck & Goose.....	165°F
Fresh Pork	
Medium Rare.....	145°F
(let stand 3 minutes before cutting)	
Medium.....	160°F
Well Done.....	170°F



ADVERTENCIA



- **¡ATENCIÓN!** Esta parrilla se pone muy caliente, no lo mueva durante la operación.
- ¡No lo utilice en interiores! Esta parrilla es sólo para uso en exteriores. Usar únicamente en un área bien ventilada.
- **¡ADVERTENCIA!** ¡No utilice bebidas alcohólicas o gasolina para el encendido o para volver a encender el fuego!
- **¡ADVERTENCIA!** Mantenga a los niños y mascotas lejos.
- La parrilla debe ser instalada en una base nivelada y asegurada antes de usarla.
- No la utilice a menos de 1 m de cualquier estructura inflamable o bajo cualquier superficie combustible.
- La bandeja para cenizas debe estar completamente instalada durante la operación. No instalarla correctamente podría resultar en que las brasas calientes se caigan fuera de la parrilla.
- El quemado de combustibles sólidos produce monóxido de carbono, el cual no tiene olor y puede matar. Por lo tanto, nunca utilice este aparato en interiores ni lo transporte al interior si su fuego no está totalmente extinto.
- Después de que un fuego de carbón parece apagado, las brasas no consumidas pueden retener el calor hasta por 24 horas y si se exponen al aire fresco, pueden generar una llama inesperadamente. Cualquiera de esas brasas fuera de la cámara de combustión de la parrilla suponen un peligro de incendio y pueden encender superficies combustibles como tarimas de madera.
- No leer ni seguir las instrucciones para el encendido del carbón podría resultar en lesiones personales graves y/o daños materiales.
- Siempre tenga cuidado cuando manipule carbón caliente para evitar lesiones.
- Siempre encienda el fuego con la tapa de la parrilla abierta.



PRECAUCIÓN



- Algunas partes pueden tener bordes afilados! Use protectorguantes si es necesario.
- La mayoría de las superficies de esta unidad están calientes cuando está en uso. Utilizar extrema precaución. No toque las partes metálicas de la barbacoa hasta que se haya enfriado por completo para evitar quemaduras, a menos que están usando guantes de protección.
- **¡ESTA UNIDAD ES PESADA! NO** intente armarla sin la ayuda de otra persona.

Consejos de seguridad y cuidado

- ¡Lea el manual de instrucciones antes de usar la parrilla!
- Siga todas las advertencias e instrucciones cuando use la parrilla. No leer ni seguir todas las instrucciones podría resultar en lesiones personales graves y/o daños materiales.
- Conserve este manual para referencia en el futuro.
- Si tiene cualquier pregunta relacionada con estas instrucciones, póngase en contacto con su distribuidor local.
- No use la parrilla a menos que esté completamente montada y todas sus piezas estén firmemente sujetadas y apretadas.
- Sólo para uso residencial. No usar para cocina comercial.

Procedimiento de uso y encendido

- La parrilla está diseñada para su uso con briquetas de carbón o carbón de terrón. No exceda los 2 lbs. (0,9 kg) de carbón.
- Coloque o posicione la parrilla en un lugar seguro.
- La parrilla se calienta debe calentarse y el combustible mantenido al rojo vivo durante al menos 30 minutos antes de la primera cocción.
- Antes de la cocción con su parrilla por primera vez:
 - a. Cepille todas las superficies interiores, incluidas grillas y parrillas, con aceite vegetal.
 - b. Haga un pequeño fuego en la bandeja de carbón.
 - c. Cierre la tapa después de que las llamas desaparecen, coloque los amortiguadores a una apertura de aproximadamente 1/2 giro. Este proceso de quemado debe mantenerse durante al menos 30 minutos.
- Coloque el carbón en una pila en forma de pirámide en el centro de la bandeja de carbón.
- Encienda el carbón. Siempre encienda el fuego con la tapa abierta. Mantenga la tapa abierta mientras que el carbón esté en llamas.
- Nunca agregue líquido encendedor de carbón vegetal a carbón caliente o tibio ya que el retroceso de la llama podría generar lesiones.
- Después de que el carbón parezca tener una capa de ceniza y que las llamas han disminuido (12-15 minutos), expanda los carbones uniformemente a través de la bandeja de carbón.
- Vuelva a colocar las rejillas de cocción y cierre la tapa para precalentar la superficie de cocción.
- No cocine antes de que el combustible tenga una capa de ceniza.



ADVERTENCIA



- Siempre abra la tapa ANTES de abrir la puerta de acceso al carbón para revisar el fuego o el combustible.
- Siempre abra lentamente la trampilla de la ceniza. Nunca intente observar el interior de la parrilla al abrir la puerta del carbón cuando el asador esté en uso.
- No seguir estas instrucciones podría resultar en lesiones físicas. El gas sin quemar puede acumularse y causar un incendio si no se abre la tapa primero.

Mantenimiento

- Puede aparecer óxido en el interior de su parrilla. Mantener una capa ligera de aceite vegetal en las superficies interiores ayudará en la protección de su parrilla. Las superficies exteriores de la parrilla podrían necesitar un retoque ocasional. Recomendamos el uso de cualquier pintura negra en aerosol para altas temperaturas disponible en el mercado. **¡NUNCA PINTE EL INTERIOR DE LA PARRILLA!** La frecuencia de limpieza depende de qué tanto se utiliza la parrilla.
- Asegúrese de que los carbones estén totalmente extintos antes de limpiar el interior de la unidad. Enjuague meticulosamente con agua y seque al aire antes de volver a usar. Limpie el interior de la unidad con un paño o papel toalla. Cuando termine de cocinar, y la unidad se haya enfriado adecuadamente, limpie y retire todas las cenizas restantes. Las cenizas absorben humedad, lo que puede conducir una oxidación y desgaste prematuros.
- Si usa un cepillo con cerdas para limpiar cualquiera de las superficies de cocción, asegúrese que no queden cerdas sueltas en las superficies de cocción antes de cocinar. No se recomienda limpiar las superficies de cocción cuando la parrilla esté caliente.

PREPARACIÓN PARA USAR SU PARRILLA

Antes de cocinar con su parrilla, debe seguir al pie de la letra los siguientes pasos para curar el acabado y el acero del interior. Si no cumple con estos requisitos al pie de la letra, se puede dañar el interior de la parrilla y los primeros alimentos que cocine podrán tener un gusto metálico.

- Unte todas las superficies metálicas del interior, incluyendo las parrillas y las rejillas con aceite vegetal para cocinar.
- Encienda un fuego pequeño, no muy intenso, en la rejilla para carbón o la sartén , asegurándose de no colocar los carbones contra las paredes.
- Cierre la tapa. Ajuste los reguladores de tiro a casi un cuarto de su apertura total. Este nivel de fuego se deberá mantener durante al menos dos horas. Comience a aumentar la temperatura abriendo los reguladores a la mitad de su apertura y añadiendo más carbón. Su parrilla está lista para usarla

Puede ser que se oxide la parte interior de su parrilla. El mantenimiento de las superficies interiores con una capa ligera de aceite vegetal ayudará a proteger su parrilla. Las superficies exteriores de la parrilla pueden requerir un retoque de vez en cuando. Le sugerimos que use una pintura en aerosol resistente a temperaturas elevadas, que puede adquirir en cualquier tienda. ¡NUNCA PINTE LA PARTE INTERIOR DE LA UNIDAD!

Por favor, vea la información sobre rejillas de hierro fundido sin revestir a continuación.

Uso por primera vez: Antes de usar una parrilla de hierro fundido u otra herramienta de hierro fundido para cocinar, lave a fondo con un líquido para lavar platos suave para quitar la capa de cera de protección aplicadas para el envío. Enjuague con agua caliente y seque completamente con un paño suave o toalla de papel. NUNCA permita que se seque o lave en el lavavajillas. Ahora la temporada de las rejas para evitar que se oxide y se pegue.

Aderezo: Una grasa vegetal sólida se recomienda para el condimento inicial. Extender una fina capa de manteca vegetal sólida en toda la superficie, incluyendo todos los rincones, con una toalla de papel. No utilice grasas con sal como la mantequilla o margarina. Precaliente la parrilla durante 15 minutos, coloque cuidadosamente las rejillas de la parrilla. Deje que la parrilla para calentar las parrillas de 1 a 1 ½ horas. Deje que el fuego quema por su cuenta, y dejar las parrillas de cocción en la parrilla hasta que estén frías. Sus parrillas de hierro fundido Ahora está listo para usar.

Para evitar la oxidación: Re-temporada de la parrilla con frecuencia, especialmente cuando son nuevas. Si se produce la oxidación, es una indicación de que las rejas no han sido lo suficientemente experimentado o el condimento se ha quemado. Limpiar con un cepillo pesados como cepillo de Char-Broil broca. Vuelva a aplicar manteca vegetal y el calor, como se indica arriba para volver a la temporada de las rejas.

Mantenimiento: No hacer un burn-off después de la parrilla, sino más bien dejar los residuos de cocina en las rejillas para mantener una capa protectora sobre el hierro fundido. Hacer un burn-off, justo antes de la parrilla. Cuanto más utilice sus parrillas de hierro fundido, más fácil será el mantenimiento. Conservar en un lugar seco. Si almacena sus rejas por un largo período de tiempo, la grasa muy ligeramente con manteca vegetal, luego seque con una toalla de papel.

CONSEJOS PARA COCINAR

Cómo encender el fuego

1. Apile en forma de pirámide las briquetas de carbón o los trocitos de madera sobre la rejilla o la bandeja colectora de cenizas. Le sugerimos que use 2 libras (aproximadamente 30 briquetas) para encender el fuego, y luego añada más según lo necesite.
2. Si usa líquido para encender carbón, usa encendedor para chimeneas, encendedor eléctrico o de otro tipo, encienda el fuego según las instrucciones del fabricante del encendedor.
3. Deje la tapa abierta hasta que las briquetas estén totalmente encendidas. El no hacerlo puede atrapar en la parrilla emanaciones tóxicas del líquido de encender el carbón y ocasionar fuego repentino cuando la tapa esté abierta.
4. Nunca rocíe líquido para encender carbón sobre el carbón caliente o tibio, pues puede producir fogonazos y ocasionar lesiones.
5. Puede comenzar a asar cuando la pila de briquetas se cubra de cenizas y esté al rojo vivo (de 12 a 15 minutos aproximadamente).
6. Según el método de cocción que se use, deje las briquetas apiladas o espárzalas de manera uniforme por toda la rejilla para el carbón, usando un atizador de mango largo

Cómo saber cuándo está listo el fuego

La buena calidad del asado al carbón depende de la calidad del fuego en la parrilla. Como regla general, para saber si el carbón ya está listo para asar debe cerciorarse de que el 80 por ciento o más de los carbones tengan ceniza. Utilizando precaución disponer las brasas en su parrilla de carbón sobre la base de su método de cocción deseado. Los siguientes son algunos pasos que puede seguir para regular la intensidad del fuego:

- Si es demasiado intenso, esparza un poco más los carbones.
- Suba o baje la rejilla regulable para el carbón.
- Abra un poco el regulador de tiro, para reducir la cantidad de oxígeno que alimenta el fuego.
- Use el método de asado a fuego indirecto, con los carbones colocados a ambos lados del recipiente para la grasa y los alimentos colocados más o menos directamente sobre los carbones.
- Si se producen llamaradas fuertes, rocíe las llamas con agua de una botella con boquilla. Tenga cuidado, al rociar el agua se pueden volar las cenizas y ensuciar todo alrededor.
- Agregue más briquetas 2 o 3 a la vez para prolongar el tiempo de cocción. Espere 10 minutos, hasta que los carbones se cubran de ceniza, antes de volver a poner más.

Asado directo e indirecto

Asado directo - Durante la mayor parte del tiempo de asado, los carbones encendidos permanecen esparcidos bajo los alimentos en una capa de un solo carbón de alto. Este método se denomina asado directo y es el apropiado para asar alimentos relativamente rápido, como hamburguesas, bistec y la mayoría de los productos del mar. Una sola capa de carbón emite un calor uniforme, parejo, con la tapa abierta o cerrada y es la forma en que la mayoría de las personas hace sus asados. Para mejor control, apile varios carbones a un lado de la parrilla, donde emitirán menos calor. Puede cambiar los alimentos de lugar en la parrilla, colocándolos sobre los carbones más calientes si desea quemarlos un poco o si desea cocinar algún trozo grueso más rápido. Para controlar la temperatura de la parrilla, también puede usar la rejilla para el carbón y los reguladores de tiro.

Asado indirecto - Para los alimentos que se demoran más en cocinar, puede usar el asado indirecto. Este método se debe usar para cocer a fuego lento, con la tapa cerrada. En este caso, los carbones se apilan en capas de dos o tres carbones de alto, en un lado de la parrilla, o se dividen y se apilan en dos lados. Esto permite dejar un espacio vacío al lado o entre los carbones. A menudo, cuando se cocina de modo indirecto, los alimentos se cocinan primero a fuego directo y, luego, se mueven a un área más fría (vacía) de la parrilla, para cocerlos a fuego lento, de manera uniforme. Para que el calor sea lo más uniforme posible, haga dos pilas con el carbón. Con frecuencia, se coloca una bandeja metálica en el espacio vacío o entre los carbones, la cual se llena con agua, vino, cerveza o una combinación de los mismos. Coloque los alimentos directamente sobre la bandeja. Esto permite añadir humedad al área de cocción y recoger los jugos de los alimentos, lo que facilita la limpieza posterior y reduce la posibilidad de que se produzcan llamaradas. (Recuerde tener a mano una botella de agua con boquilla, para apagar las llamaradas.) Es posible que, cuando se acostumbre a asar a fuego indirecto, prefiera usar este método para asar en la mayoría de los casos. Aunque toma un poco más de tiempo, es un excelente método de cocción, y una manera de evitar que se quemen los alimentos y de propiciar la cocción uniforme.

Cómo asar con astillas/trocitos de madera

Para lograr un sabor ahumado más fuerte con briquetas o carbón de madera en bloques, pruebe poner varias astillas o varios trocitos de madera en el fuego. Los trocitos de madera se venden en diversos sabores naturales, y se pueden usar solos o como un agregado al carbón. Como regla general, toda madera dura de árboles frutales o de frutos secos es adecuada para cocinar. Sin embargo, las distintas maderas tienen distintos sabores. Pruebe con maderas diferentes para decidir cuál prefiere, y use siempre madera bien seca. La madera verde o recientemente cortada puede ennegrecer la comida, y tiene sabor amargo.

Nuestras sugerencias:

Pollo - Aliso, manzano, nogal americano, mezquite

Carne de res - Nogal americano, mezquite, roble

Cerdo - Madera de árboles frutales, nogal americano, roble

Carnero - Madera de árboles frutales, mezquite

Ternera - Madera de árboles frutales, parra

Pescado y mariscos - Aliso, mezquite

Verduras - Mezquite

Recomendadas por USDA	
Temperaturas internas de cocción	
Carne molida	
Carne de vaca, cerdo, ternera, cordero.....	160°F
Pavo, pollo.....	165°F
Carne fresca de vaca, ternera, cordero	
Poco cocido.....	145°F
(con 3 minutos de reposo)	
Medio cocido.....	160°F
Bien cocido.....	170°F
Aves de corral	
Pollo y pavo, entero.....	165°F
Trozos de ave.....	165°F
Pato y ganso.....	165°F
Carne fresca de cerdo	
Poco cocido.....	145°F
(con 3 minutos de reposo)	
Medio cocido.....	160°F
Bien cocido.....	170°F

LIMITED WARRANTY

This warranty only applies to units purchased from an authorized retailer. Manufacturer warrants to the **original consumer-purchaser** only that this product shall be free from defects in workmanship and materials after correct assembly and under normal and reasonable home use for the periods indicated below beginning on the date of purchase*. The manufacturer reserves the right to require that defective parts be returned, postage and or freight pre-paid by the consumer for review and examination.

<u>SCOPE OF COVERAGE</u>	<u>PERIOD OF COVERAGE</u>	<u>TYPE OF FAILURE COVERAGE</u>
All Parts	1 year from date of purchase*	PERFORATION, MANUFACTURING, AND MATERIAL DEFECTS ONLY

*Note: A dated sales receipt WILL be required for warranty service.

The original consumer-purchaser will be responsible for all shipping charges for parts replaced under the terms of this limited warranty.

This limited warranty is applicable in the United States and Canada only, is only available to the original owner of the product and is not transferable. **Manufacturer requires proof of your date of purchase. Therefore, you should retain your sales slip or invoice.** Registering your product is not a substitute for proof of purchase and the manufacturer is not responsible for or required to retain proof of purchase records.

This limited warranty applies to the functionality of the product ONLY and does not cover cosmetic issues such as scratches, dents, corruptions or discoloring by heat, abrasive and chemical cleaners or any tools used in the assembly or installation of the appliance, surface rust, or the discoloration of stainless steel surfaces. Paint is not warranted and will require touch up. **RUST is not considered a manufacturing or materials defect.**

This limited warranty will not reimburse you for the cost of any inconvenience, food, personal injury or property damage.

ITEMS MANUFACTURER WILL NOT PAY FOR:

1. Shipping cost, standard or expedited, for warranty and replacement parts
2. Service calls to your home.
3. Repairs when your product is used for other than normal, single-family household or residential use.
4. Damage, failures, or operating difficulties resulting from accident, alteration, careless handling, misuse, abuse, fire, flood, acts of God, improper installation or maintenance, installation not in accordance with electrical or plumbing codes, or use of products not approved by the manufacturer.
5. Any food loss due to product failures or operating difficulties.
6. Replacement parts or repair labor costs for units operated outside the United States or Canada.
7. Pickup and delivery of your product.
8. Repairs to parts or systems resulting from unauthorized modifications made to the product.
9. The removal and/or reinstallation of your product.

DISCLAIMER OF IMPLIED WARRANTIES and LIMITATION OF REMEDIES

Repair or replacement of defective parts is your exclusive remedy under the terms of this limited warranty. In the event of parts availability issues, the manufacturer reserves the right to substitute like or similar parts that are equally functional.

Manufacturer will not be responsible for any consequential or incidental damages arising from the breach of either this limited warranty or any applicable implied warranty, or for failure or damage resulting from acts of God, improper care and maintenance, grease fire, accident, alteration, replacement of parts by anyone other than Manufacturer, misuse, transportation, commercial use, abuse, hostile environments (inclement weather, acts of nature, animal tampering), improper installation or installation not in accordance with local codes or printed manufacturer instructions.

THIS LIMITED WARRANTY IS THE SOLE EXPRESS WARRANTY GIVEN BY THE MANUFACTURER. NO PRODUCT PERFORMANCE SPECIFICATION OR DESCRIPTION WHEREVER APPEARING IS WARRANTED BY MANUFACTURER EXCEPT TO THE EXTENT SET FORTH IN THIS LIMITED WARRANTY. ANY IMPLIED WARRANTY PROTECTION ARISING UNDER THE LAWS OF ANY STATE, INCLUDING IMPLIED WARRANTY OF MERCHANTABILITY OR FITNESS FOR A PARTICULAR PURPOSE OR USE, IS HEREBY LIMITED IN DURATION TO THE DURATION OF THIS LIMITED WARRANTY.

Neither dealers nor the retail establishment selling this product has any authority to make any additional warranties or to promise remedies in addition to or inconsistent with those stated above. Manufacturer's **maximum liability**, in any event, shall not exceed the purchase price of the product paid by the original consumer.

NOTE: Some states do not allow an exclusion or limitation of incidental or consequential damages, so some of the above limitations or exclusions may not apply to you. This limited warranty gives you specific legal rights as set forth herein. You may also have other rights which vary from state to state. In the state of California only, if refinishing or replacement of the product is not commercially practicable, the retailer selling this product or the Manufacturer will refund the purchase price paid for the product, less the amount directly attributable to use by the original consumer-purchaser prior to discovery of the nonconformity. In addition, in the state of California only, you may take the product to the retail establishment selling this product in order to obtain performance under this limited warranty.

If you wish to obtain performance of any obligation under this limited warranty, you should write to:

**Consumer Relations
P. O. Box 1240
Columbus, GA 31902-1240**

Consumer returns will not be accepted unless a valid Return Authorization is first acquired. Authorized returns are clearly marked on the outside of the package with an RA number and the package is shipped freight/postage pre-paid. Consumer returns that do not meet these standards will be refused.

GARANTÍA LIMITADA

Esta garantía es válida únicamente para las unidades adquiridas de los distribuidores autorizados. El fabricante le garantiza únicamente **al consumidor-comprador original**, que este producto no presentará defectos de mano de obra ni de materiales por el período indicado a continuación, contado desde la fecha de compra*, si se arma correctamente y se usa en el hogar, en condiciones normales y razonables. El fabricante se reserva el derecho de exigir la devolución de las piezas defectuosas, enviadas con el porte o el flete pagado por el consumidor, para ser revisadas y examinadas.

ALCANCE DE LA COBERTURA	PLAZO DE COBERTURA	TIPO DE FALLA AMPARADA
Todas las piezas	1 Año de fecha de compra *	SOLO DEFECTOS DE PERFORACIÓN, DE FABRICACIÓN Y DE MATERIALES

*Nota: A fecha de recibo de compra serán necesarios para el servicio de garantía.

Son de responsabilidad del consumidor-comprador original todos los gastos de envío de las piezas cambiadas en virtud de las condiciones de esta garantía limitada.

Esta garantía limitada es válida únicamente en Estados Unidos y en Canadá, se ofrece únicamente al propietario original del producto y es intransferible. **El fabricante exige la presentación de evidencia de la fecha de la compra. Por tanto, debe conservar el recibo o la factura de la compra.** La inscripción del producto no reemplaza al comprobante de compra, y el fabricante no se hace responsable ni está obligado a llevar un registro de dichos comprobantes.

Esta garantía limitada atañe ÚNICAMENTE al funcionamiento del producto y no ampara rayones, abolladuras, corrosión ni decoloración ocasionada por el calor, los productos de limpieza abrasivos y químicos, ni por las herramientas usadas en el armado o en la instalación del aparato, oxidación de las superficies ni decoloración de las superficies de acero inoxidable. La pintura no esta garantizada y requiera retoques. **RUST no se considera una de fabricación o materiales defecto.**

Esta garantía limitada no ampara el costo en el que se incurra por inconvenientes, alimentos, lesiones ni daños a la propiedad.

EL FABRICANTE NO PAGARÁ LOS SIGUIENTES RUBROS:

1. El costo de envío normal o acelerado de piezas y repuestos amparados por la garantía
2. Las llamadas de servicio técnico a domicilio.
3. Reparaciones de productos que hayan sido usados para fines distintos a los normales, en casas de más de una familia o no domésticos.
4. Daños, fallas, o dificultades para hacerlo funcionar, ocasionadas por accidentes, modificaciones, manipulación descuidada, uso indebido, abuso, incendio, inundación, casos fortuitos, instalación o mantenimiento inadecuados o que no se realicen de conformidad con las disposiciones de los códigos de instalaciones eléctricas o sanitarias, o uso de productos no autorizados por el fabricante.
5. Pérdida de alimentos debidos a fallas del producto o a la dificultad para hacerlo funcionar.
6. El costo de las piezas de repuesto ni de la mano de obra para la reparación de unidades instaladas fuera de Estados Unidos o de Canadá.
7. La recogida y el envío de su producto.
8. Las reparaciones de piezas o de sistemas que hayan sufrido daños por alteraciones no autorizadas hechas en el producto.
9. La remoción y/o la reinstalación de su producto.

ESTIPULACIONES DE EXONERACIÓN DE GARANTÍAS IMPLÍCITAS; LIMITACIÓN DE LOS RECURSOS

El único recurso del que usted dispone en virtud de esta garantía limitada es la reparación o el cambio de las piezas defectuosas. En cas de problèmes de disponibilité des pièces, le constructeur se réserve le droit de remplacer des pièces similaires qui sont également fonctionnels. El fabricante no será responsable por ningún tipo de daño accesorio o indirecto ocasionado por el incumplimiento de lo estipulado ya sea en esta garantía limitada o en alguna garantía implícita pertinente, ni por las fallas o los daños ocasionados por actos fortuitos, cuidado y mantenimiento inadecuados, fuego provocado por la grasa, accidentes, modificaciones, cambio de piezas por cualquier persona que no sea el fabricante, uso indebido, transporte, uso con fines comerciales, abuso, ambientes hostiles (condiciones inclementes del tiempo, fenómenos naturales, acción de los animales), instalación inadecuada o instalación que no se realice de conformidad con las disposiciones de los códigos locales o las instrucciones impresas del fabricante.

ESTA GARANTÍA LIMITADA ES LA ÚNICA GARANTÍA EXPLÍCITA OFRECIDA POR EL FABRICANTE. EL FABRICANTE NO GARANTIZA NINGUNA ESPECIFICACIÓN O DESCRIPCIÓN DE RENDIMIENTO DEL PRODUCTO, INDEPENDIEMENTE DEL LUGAR DONDE APAREZCAN, SALVO EN LA MEDIDA SEÑALADA EN ESTA GARANTÍA LIMITADA. POR EL PRESENTE, EL PLAZO DE VIGENCIA DE LA PROTECCIÓN QUE OTORGAN LAS GARANTÍAS IMPLÍCITAS, EN VIRTUD DE LAS LEYES DE CUALQUIER ESTADO, INCLUYENDO LA GARANTÍA IMPLÍCITA ACERCA DE LA IDONEIDAD DEL PRODUCTO PARA SU COMERCIALIZACIÓN O PARA ALGÚN PROPÓSITO DETERMINADO, QUEDA LIMITADO AL PLAZO DE VIGENCIA DE ESTA GARANTÍA LIMITADA.

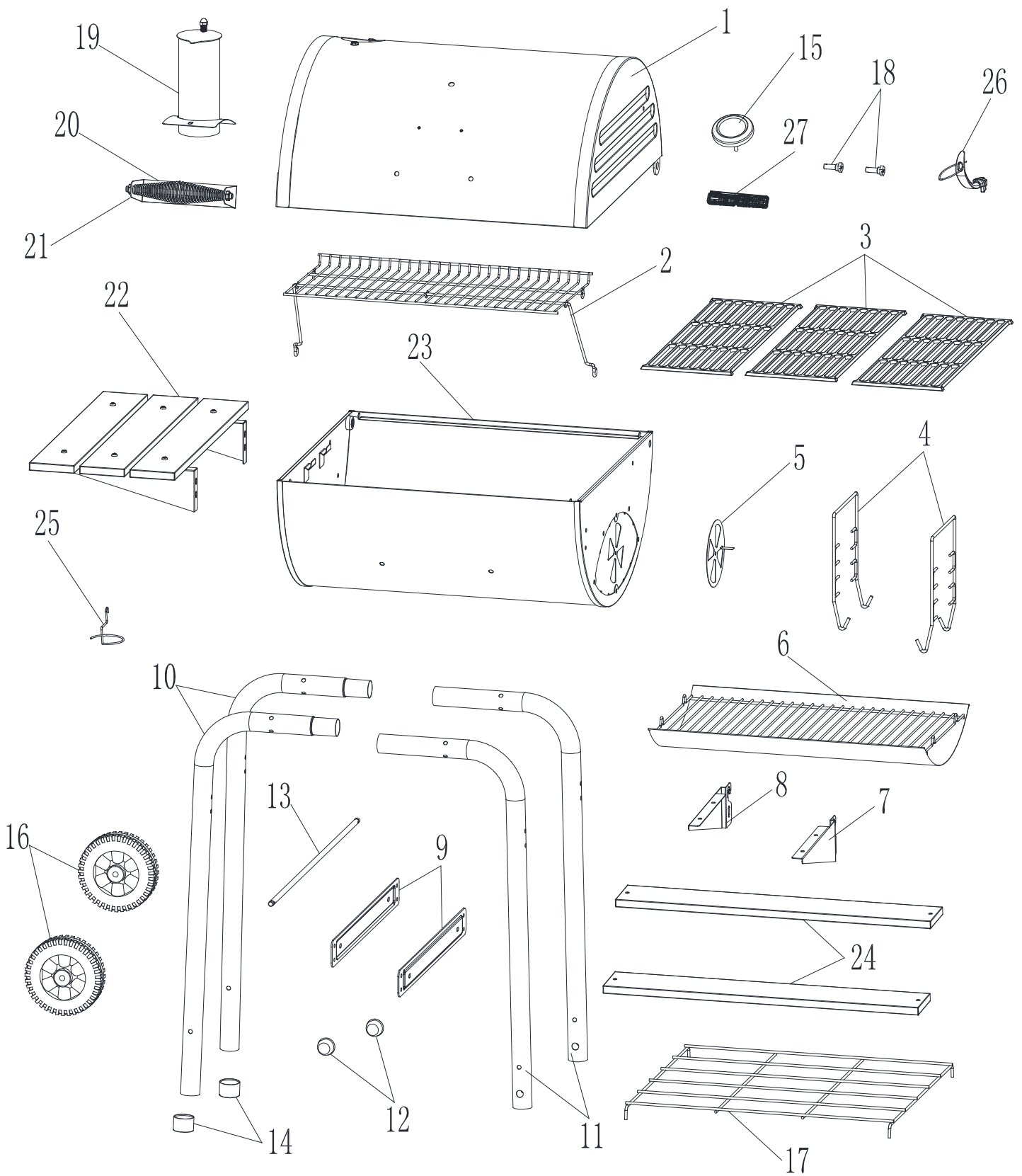
Ni los distribuidores, ni el negocio minorista que vende este producto, están autorizados para ofrecer ninguna garantía ni para prometer recursos adicionales o incongruentes con los arriba indicados. En todo caso, el límite máximo de responsabilidad del fabricante no será mayor que el precio de compra pagado por el consumidor original.

NOTA: Algunos estados no permiten la exclusión ni la limitación de daños accesorios o indirectos, de manera que es posible que las limitaciones o exclusiones arriba señaladas no correspondan en su caso. Esta garantía le otorga derechos específicos, señalados aquí. Es posible que usted tenga otros derechos que pueden variar de un estado a otro. Sólo en el estado de California, en el caso en que no sea comercialmente viable reparar o cambiar el acabado del producto, el minorista que vende este producto o el fabricante le reembolsarán el precio de compra pagado por el mismo, menos la cantidad directamente atribuible al uso dado por el consumidor-comprador original, antes de haber descubierto la falla. Además, y únicamente en el estado de California, usted podrá llevar el producto al negocio minorista que venda este producto para solicitar servicios en virtud de esta garantía limitada.

Si desea obtener algún servicio en virtud de esta garantía limitada, debe dirigir su correspondencia a:
Consumer Relations
P. O. Box 1240
Columbus, GA 31902-1240

No se aceptarán las devoluciones por parte del consumidor a menos que haya obtenido primero una autorización válida de devolución. Debe rotular de manera legible la parte exterior del paquete de devolución autorizada con su número de autorización de devolución y remitir dicho paquete con el flete o el porte pagado. Se rechazará toda devolución del consumidor que no cumpla con las reglas anteriores.

Parts Diagram Diagrama de Piezas



PARTS LIST

Key	Qty	Description
1	1	LID ASSEMBLY
2	1	SWINGAWAY GRATE
3	3	COOKING GRATE
4	2	FIRE GRATE HANGER
5	1	BUTTERFLY DAMPER
6	1	FIRE GRATE
7	1	FRONT SHELF BRACKET, RH
8	1	FRONT SHELF BRACKET, LH
9	2	CART BRACE
10	2	LONG LEG
11	2	SHORT LEG
12	2	WHEEL CAP
13	1	AXLE
14	2	LEG EXTENDER
15	1	TEMPERATURE GAUGE
16	2	WHEEL
17	1	STORAGE RACK
18	1	LID HINGE PIN KIT
19	1	SMOKE STACK
20	1	HANDLE BARREL SPRING
21	1	LID HANDLE
22	1	SIDE SHELF
23	1	FIREBOX
24	2	FRONT SHELF SLAT
25	1	GREASE CAN CLIP
26	1	COOKING GRATE LIFTER
27	1	LOGO PLATE KIT

NOT PICTURED

...	1	HARDWARE PACK
...	1	PRODUCT GUIDE, ENGLISH, SPANISH


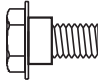
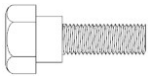


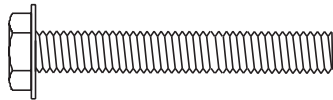
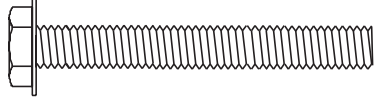
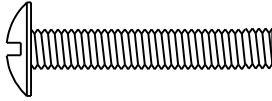
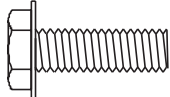
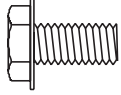
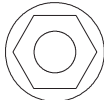
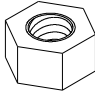

Lista de piezas

Clave	Cant.	Descripción
1	1	Tapa
2	1	Haga pivotar-Lejos la rejilla
3	3	Cocinar la rejilla
4	2	Suspensión de la rejilla de fuego
5	1	Apagador de la mariposa
6	1	Rejilla de fuego
7	1	Soporte de estante delantero, RH
8	1	Soporte de estante delantero, LH
9	2	Apoyo del carro
10	2	Pierna larga
11	2	Pierna corta
12	2	Casquillo de rueda
13	1	Árbol
14	2	Casquillos de extremo de la pierna
15	1	Medidor de temperatura
16	2	Rueda
17	1	Estante del almacenaje
18	1	Pernos de bisagra de la tapa
19	1	Apilado de humo
20	1	Mango barril muelle
21	1	Manija de la tapa
22	1	Estante lateral
23	1	Caja de fuegos
24	2	Listones delanteros del estante
25	1	Clip de la taza de la grasa
26	1	Ralle Elevador de Cocina
27	1	Placa del Logotipo

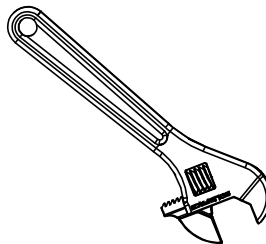
no se ilustra

...	1	Paquete del hardware
...	1	Instrucciones de ensamblaje, Inglés, Español

HARDWARE LIST / LISTA DE HARDWARE

Key	Description	Image	Qty.
A	Wheel Cap Centro de la tapa		2
B	1/4-20 Shoulder Bolt Perno hombro		4
C	Hinge Pin Bisagra pin		2
D	Hitch Pin Clip - Small Pequeño Clavija cabello clip		2
E	Hitch Pin Clip - Large Grandes Clavija cabello clip		2
F	1/4-20 X 1 3/4" Hex Bolt 1/4-20x1 3/4" Tornillo		12
G	1/4-20 X 2" Hex Bolt 1/4-20x2" Tornillo		2
H	1/4-20x1 1/4" Screw 1/4-20x1 1/4" Tornillo		4
J	1/4-20 X 3/4" Hex Bolt 1/4-20x3/4" Tornillo		5
K	1/4-20 X 1/2" Hex Bolt 1/4-20x1/2" Tornillo		6
L	1/4-20 Flange Nut 1/4-20 Contratuerca con brida		32
M	1/4-20 Locking Nut 1/4-20 Tuerca de bloqueo		1
N	1/4" Flat Washer 1/4" Arandela plana		2

TOOLS REQUIRED / HERRAMIENTAS NECESARIAS



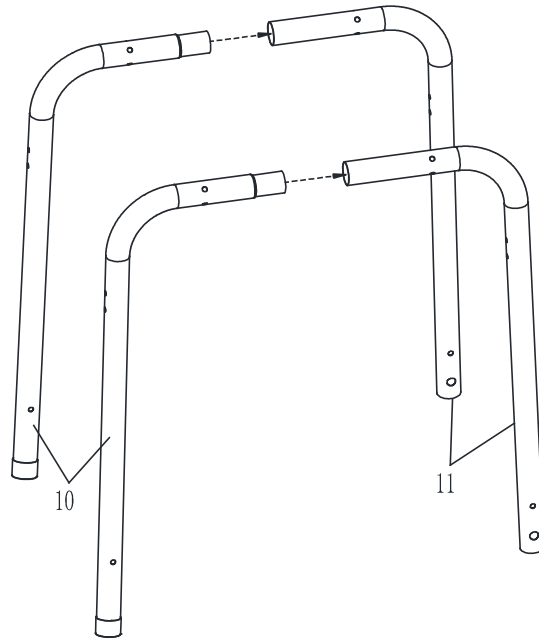
ASSEMBLY MONTAJE

1 FIRST, GET A HELPER! This unit is heavy and requires a second person for lifting and moving. **NEXT**, pick a suitable location to work. Open the carton and slit the corners so that the carton lays flat. This will give you a protective surface during assembly.

To begin assembly, build two leg assemblies by sliding the long leg sections into the short leg sections.

Primero, obtenga un ayudante! Esta unidad es pesado y requiere de una segunda persona para levantar y mover. **SIGUIENTE**, elija una ubicación adecuada para trabajar. Abra el cartón y corte las esquinas de manera que establece la caja plana. Esto le dará una superficie de protección durante el montaje.

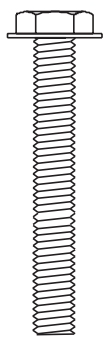
Para empezar el montaje, construcción de dos asambleas pierna deslizando el largo trayecto en el corto secciones pierna secciones.



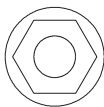
2 Attach cart braces to the outside of one leg assembly using 4 each 1/4-20x1 3/4" screws and 4 each 1/4-20 flange nuts. **Do not fully tighten screws until Step 6 is complete.**

Adjuntar pierna llaves en el exterior de una pierna de montaje con 4 cada 1/4-20x1 3 / 4 "tornillos y 4 tuercas de la brida de cada 1/4-20.

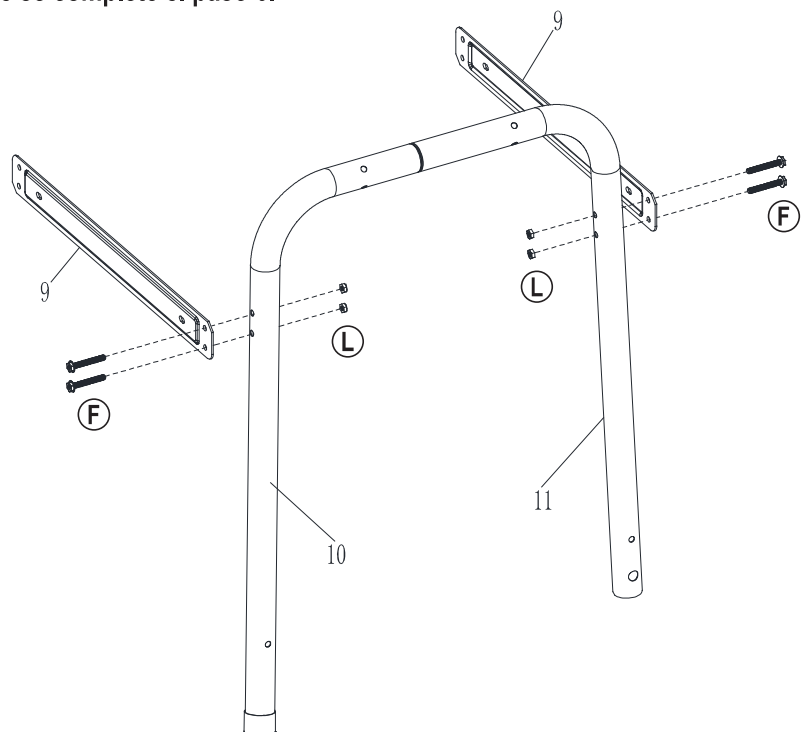
No apriete totalmente los tornillos hasta que se complete el paso 6.



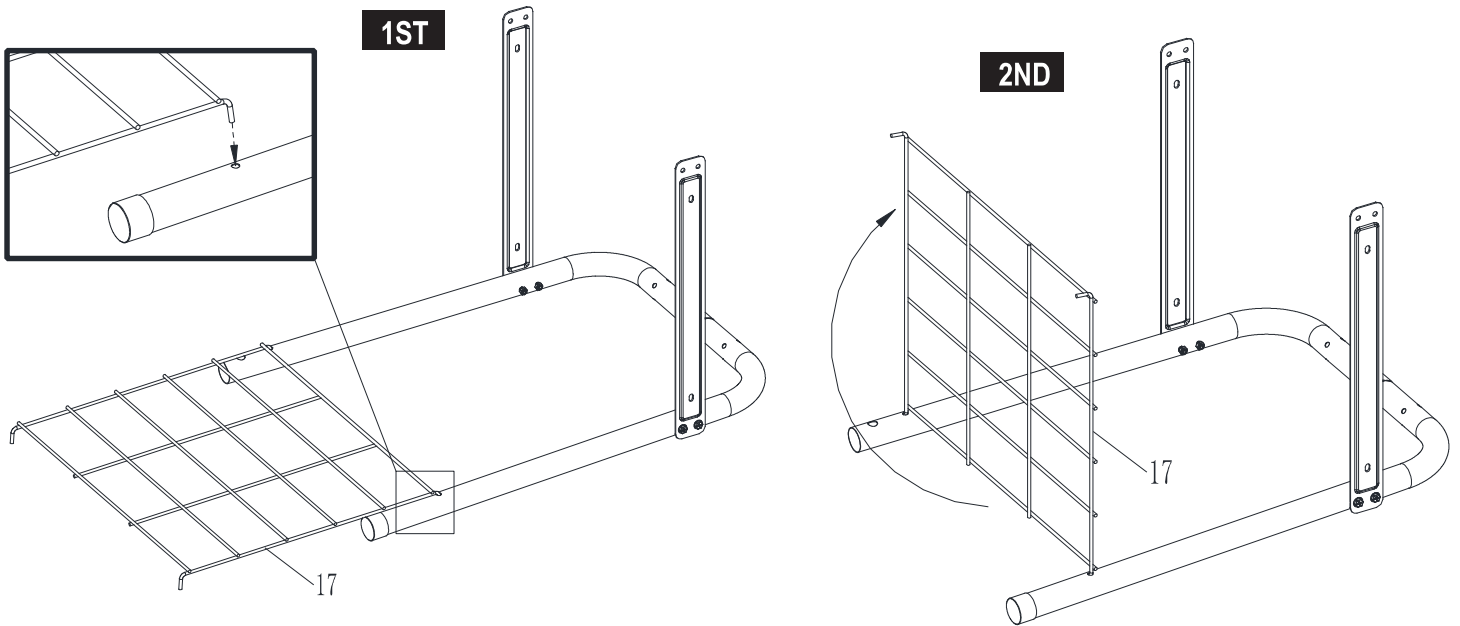
F - 4



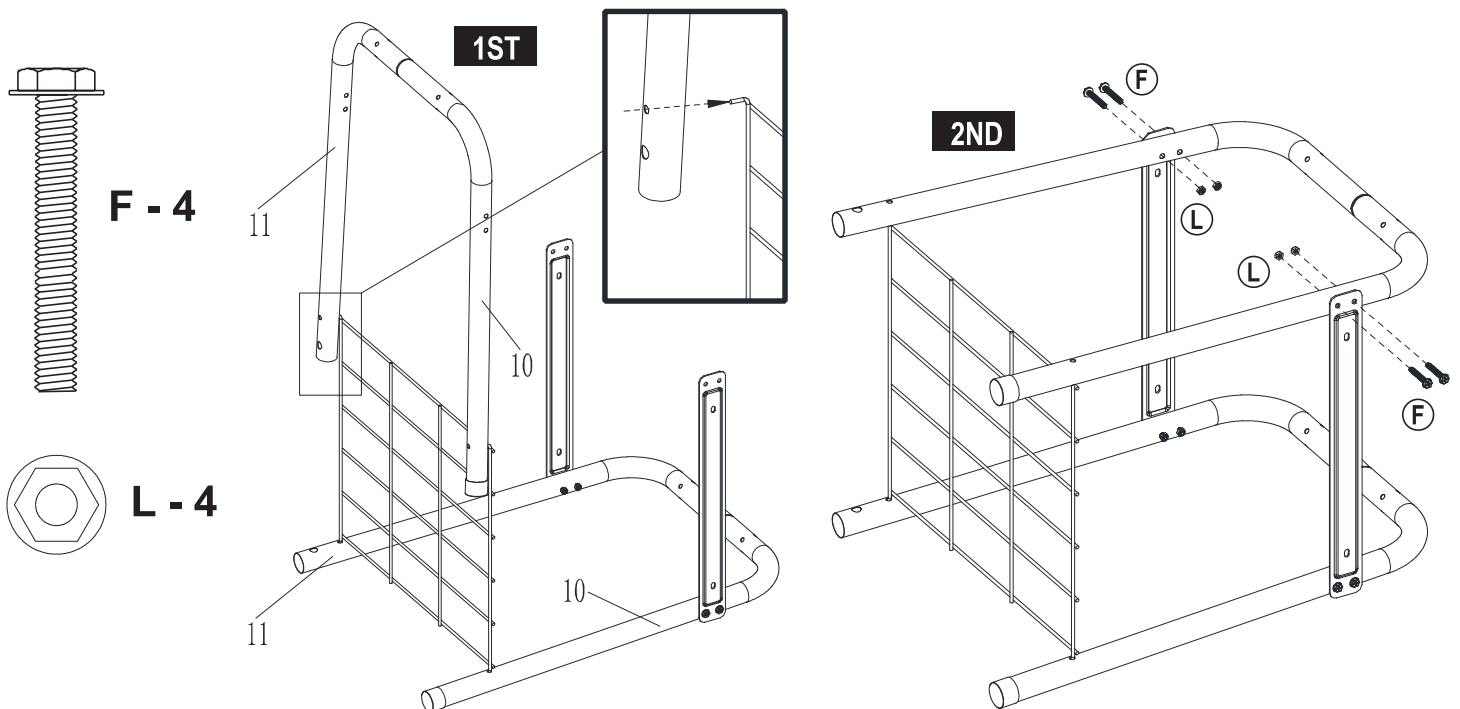
L - 4



- 3** Lay the leg assembly on its side with cart braces pointing upward. insert the storage rack hooks into leg holes and swing rack upward, parallel to leg braces.
 Coloque el montaje de la pierna de su lado con las piernas hacia arriba tirantes. insertar el bastidor de madera ganchos en los agujeros de la pierna y swing rack hacia arriba, paralela a la pierna tirantes.



- 4** With aid of a helper, place leg holes of remaining leg assembly over storage rack and rotate leg assembly until it meets the cart braces. Make sure both short legs are at one end of the rack and both long legs at the other end. Attach cart braces using 4 each 1/4x20x1 3/4" screws and 4 each 1/4-20 flange nuts. **Do not fully tighten screws until Step 6 is complete.**
 Con la ayuda de un ayudante, el lugar de los agujeros de la pierna restante pierna durante el montaje en rack de madera y girar la pierna until asamblea que se reúne la pierna tirantes. Asegúrese de que tanto a corto como a las piernas se encuentran en uno de los extremos del bastidor y las dos patas largas en el otro extremo. Adjuntar pierna tirantes con 4 cada 1/4x20x1 3/4 "tornillos y 4 tuercas de la brida de cada 1/4-20. **No apriete totalmente los tornillos hasta que se complete el paso 6.**

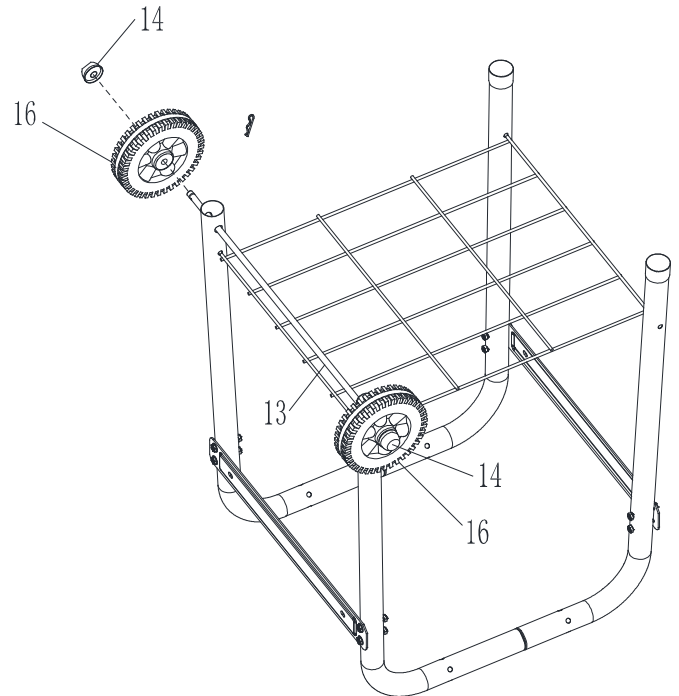
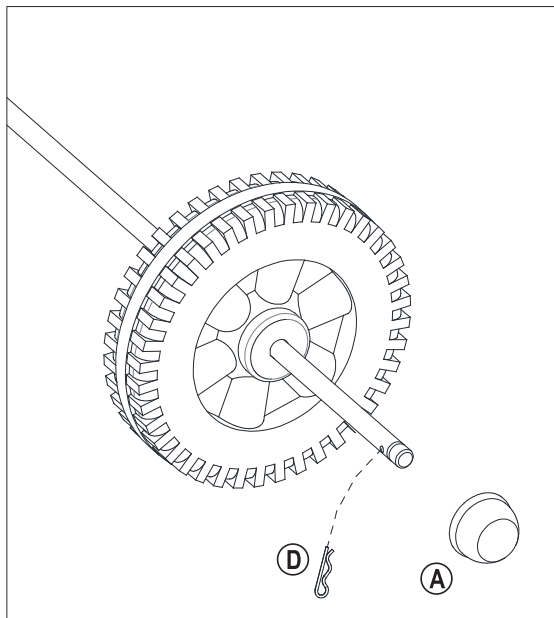


5 Insert a small Hitch Pin Clip into the hole at one end of the axle and bend the ends of the pin back so that it cannot be removed. Slide a wheel onto the axle. Slide the axle through the holes at the ends of the short legs. Slide the remaining wheel onto the axle and secure with the remaining Hitch Pin Clip.

Finally, Push the wheel end caps onto each end of the axle.

Inserte un pequeño Cabello Patilla Clipinto el agujero en un extremo del eje y doble los extremos de los pines de modo que no se puede quitar. Deslice una rueda sobre el eje. Deslice el eje a través de los agujeros en los extremos de las piernas cortas. Deslice el resto de la rueda en el eje y segura con el resto de pines de pelo de clip.

Por último, gorras Empuje la rueda en cada extremo del eje.

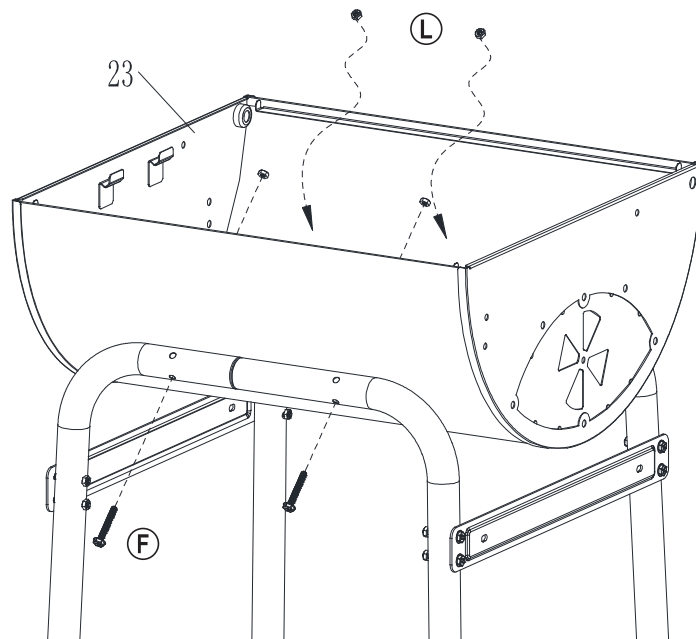
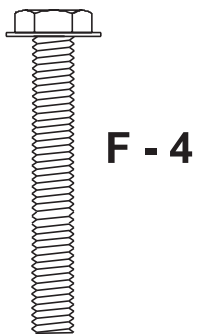


6 Place the firebox onto the cart. The butterfly damper should be on your right hand side over wheels. Insert 4 each 1/4-20X1 3/4" screws through cart and firebox. Secure the firebox using 4 each 1/4-20 flange nuts. Insert screws from outside, flange nuts from inside chamber.

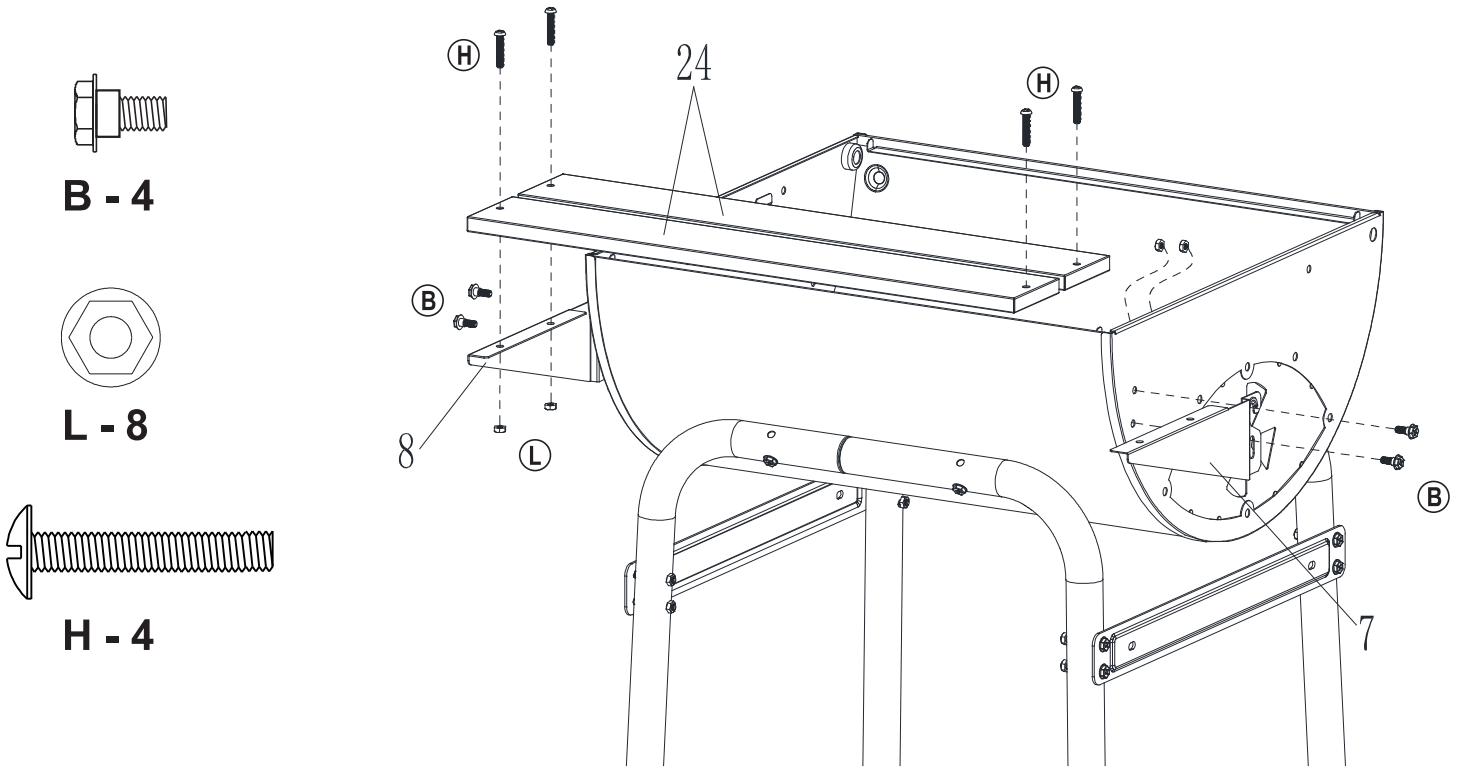
FULLY TIGHTEN ALL SCREWS AND NUTS AT THIS TIME.

Coloque el fuego en el carro. La mariposa amortiguador debe estar en su derecha. 4 Inserte 1/4-20X1 cada 3 / 4 "y tornillos a través de la cesta de fuego. Asegure el fuego con 4 cada brida de 1/4-20 nueces. Inserte los tornillos desde el exterior, dentro de la brida de la cámara de los frutos secos.

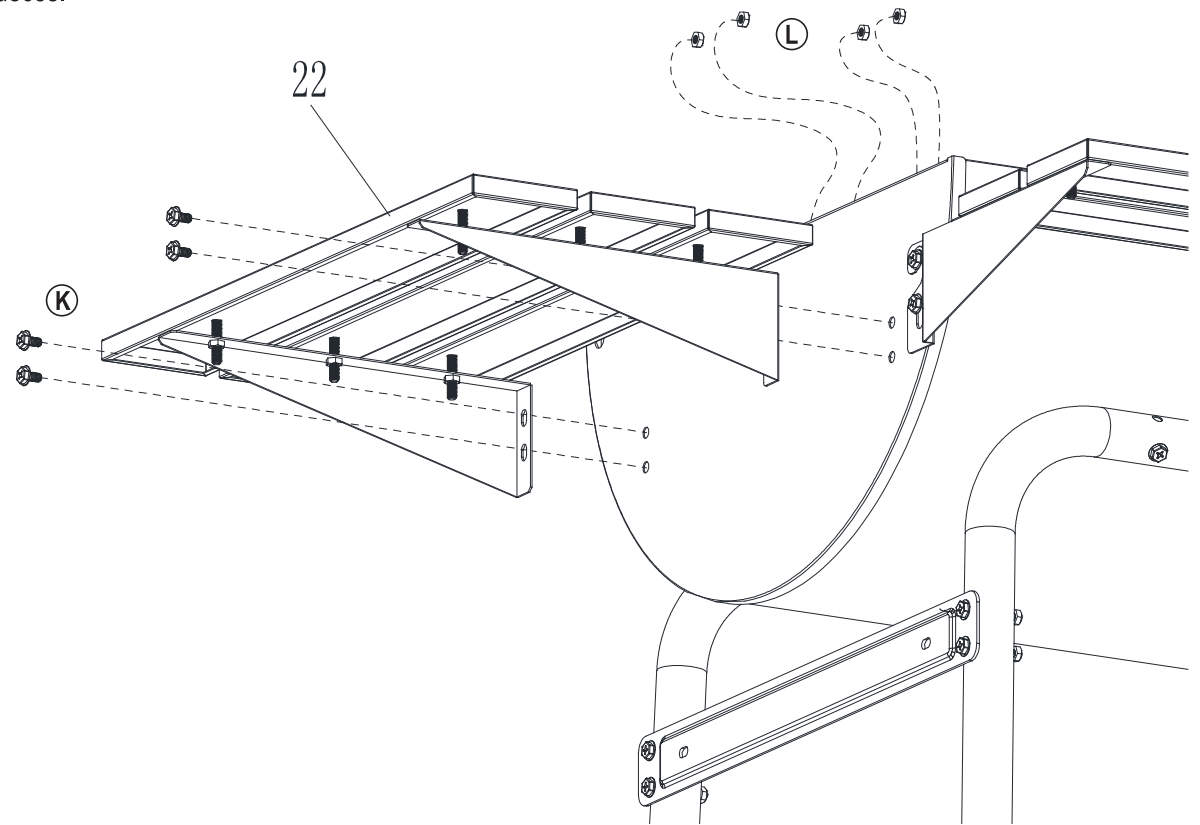
APRIETE TODOS LOS TORNILLOS COMPLETAMENTE NUTS Y EN ESTE MOMENTO.



- 7** • Attach LH and RH Front Shelf Brackets to the firebox using 4 each 1/4-20" Shoulder Bolts and 4 each 1/4-20 flange nuts.
- After the front shelf brackets are secured, attach the front shelf slats to the brackets using 4 each 1/4-20x1 1/4" screws and 4 each 1/4-20 flange nuts.
- Conecte y LH RH Soportes Frente a la Plataforma de fuego con 4 cada 1/4-20 "Pernos hombro y 4 de cada brida de 1/4-20 nueces.
- Después de la primera plataforma entre paréntesis son garantizados, adjuntar la plataforma frente a los soportes listones con 4 cada 1/4-20x1 1/4" tornillos y 4 tuercas de la brida de cada 1/4-20.



- 8** • Attach Side Shelf Brackets to LH side of firebox using 4 each 1/4-20x1/2 screws and 4 each 1/4-20 Flange nuts.
- Adjuntar los soportes laterales de la plataforma LH lado del fuego 1/4-20x1/2 cada uno con 4 tornillos y 4 de cada brida 1/4-20 nueces.



9

Attach Handle to Grill Lid, secure with 2 each 1/4-20x1/2" screws and 2 lock nuts.

Next, install Smokestack by inserting 2 each 1/4-20x3/4" screws though Grill Lid, insert Smokestack into Grill Lid hole as shown, then secure using 2 each 1/4-20 flange nuts.

Secure the gauge with the wingnut from inside the grill lid, shown below.

Place Grill Lid on top of firebox assembly. Align hinge holes on back of unit. With the aid of a helper, attach Grill Lid to firebox using 2 each Hinge Pins. Once Hinge Pins are in place, insert Large Hitch Pin Clip into hole in Hinge Pin.

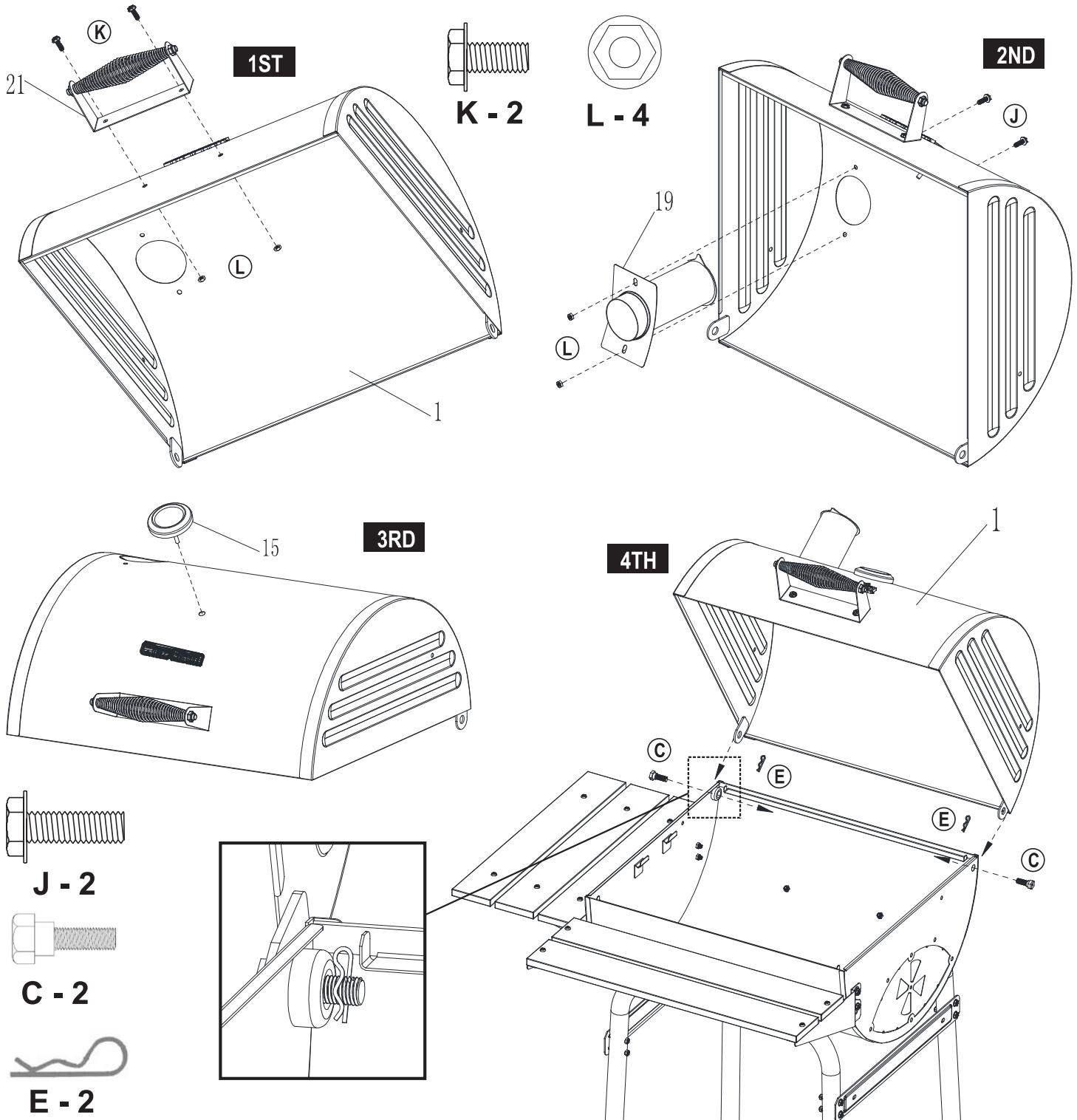
Asa para adjuntar Grill tapa, seguro con tornillos 2 de cada uno 1/4-20x3/4 y 2 cada brida de 1/4-20 nueces.

A continuación, instalar chimenea mediante la inserción de tornillos 2 de cada uno 1/4-20x3/4 Grill aunque la tapa, inserte la tapa de chimenea en Grill agujero como se muestra, entonces seguro con 2 cada brida de 1/4-20 nueces.

Conecte el siguiente indicador de Temperatura tapa a la parrilla.

Grill lugar en la parte superior de la tapa de fuego asamblea. Alinee los agujeros de la bisagra en la parte posterior de la unidad.

Con la ayuda de un ayudante, adjuntar Grill tapa a fuego con 2 cada Bisagra Pins. Una vez Bisagra Pins están en su lugar, insertar Grande Cabello Patilla clip en el orificio en Patilla Bisagra.

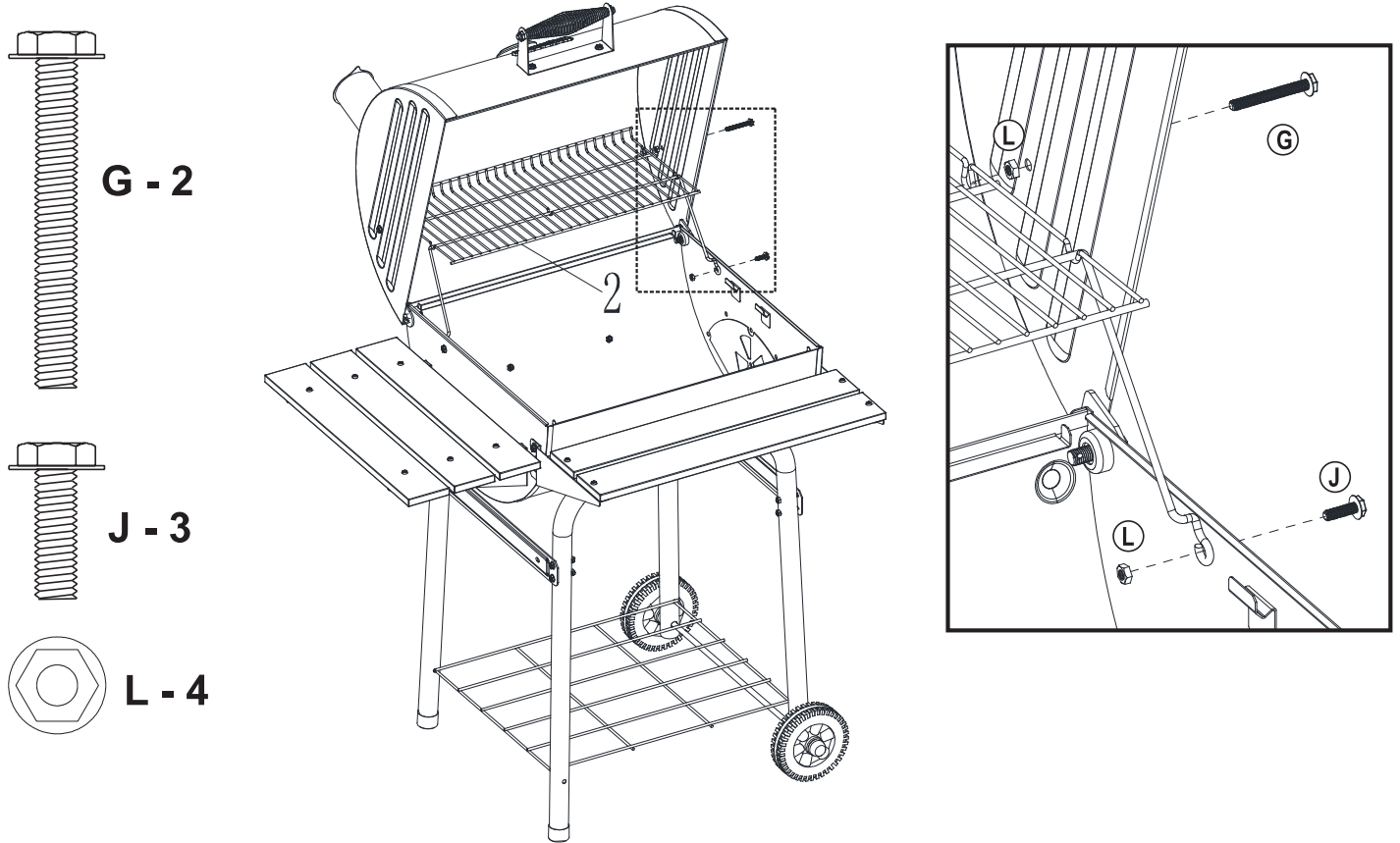


10

Install the Swing-Away Grate by inserting 2 each 1/4-20x2" screws (one for each side of the lid) into Grill Lid and secure with 2 each 1/4-20 flange nuts. Place the wire loop in Swing-Away over the shaft of the bolt, as shown below. Similarly secure the Swing-Away leg to the firebox using 2 each 1/4-20x3/4" screws and 2 each 1/4-20 flange nuts.

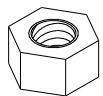
Instale el Swing-Lejos Ralle insertando 2 cada 1/4-20x2 "tornillos (uno para cada lado de la tapa) en la tapa Grill y segura con 2 cada brida de 1/4-20 nueces. Coloque el cable en el circuito de Swing-Ausente sobre el eje del perno, como se muestra a continuación.

De igual manera segura el Swing-Lejos de fuego a la pierna con 2 cada 1/4-20x3/4 "y 2 tornillos de cada brida de 1/4-20 nueces.



Attach the butterfly damper wheel to the firebox using 1 each 1/4-20x3/4" screw, 2 each flat washers and one 1/4-20 lock nut. DO NOT FULLY TIGHTEN THE FLANGE NUT. This will allow for rotation of the damper wheel.

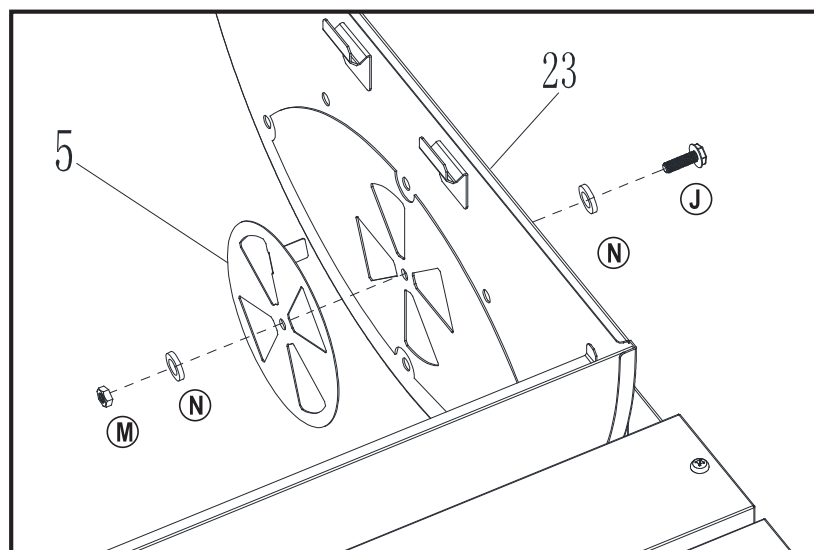
Fije la válvula de mariposa de la rueda de fuego utilizando 1 cada 1/4-20x3/4 "tornillo, 2 de cada uno de arandelas planas, 1 arandela de cierre y una brida de 1/4-20 tuerca. PLENAMENTE NO APRIETE TUERCA la brida. Esto permitirá para la rotación de la rueda amortiguador.



M - 1



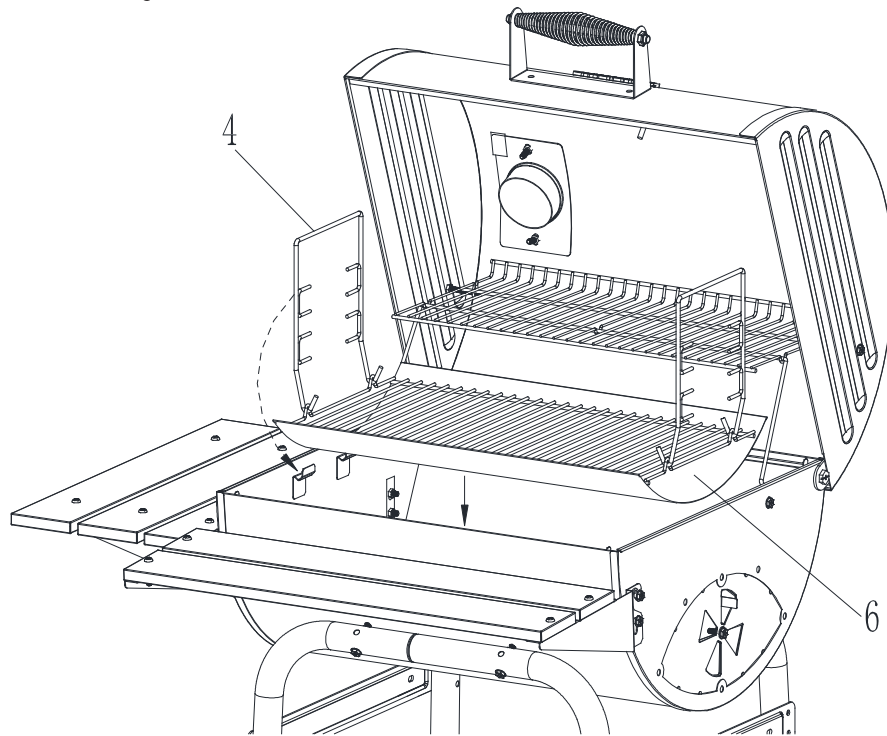
N - 2



11

Insert the Ash Pan/Fire Grate into the firebox as shown below. The charcoal tray hanger will rest on the hanger tabs on the firebox.

Inserte la bandeja de carbón en el fuego como se muestra a continuación. La bandeja de soporte de carbón se basa en el soporte sobre la pestañas de fuego.



12

Place the 3 Cooking Grates into the firebox. The Cooking Grates will rest on the front and rear ledges of the firebox.

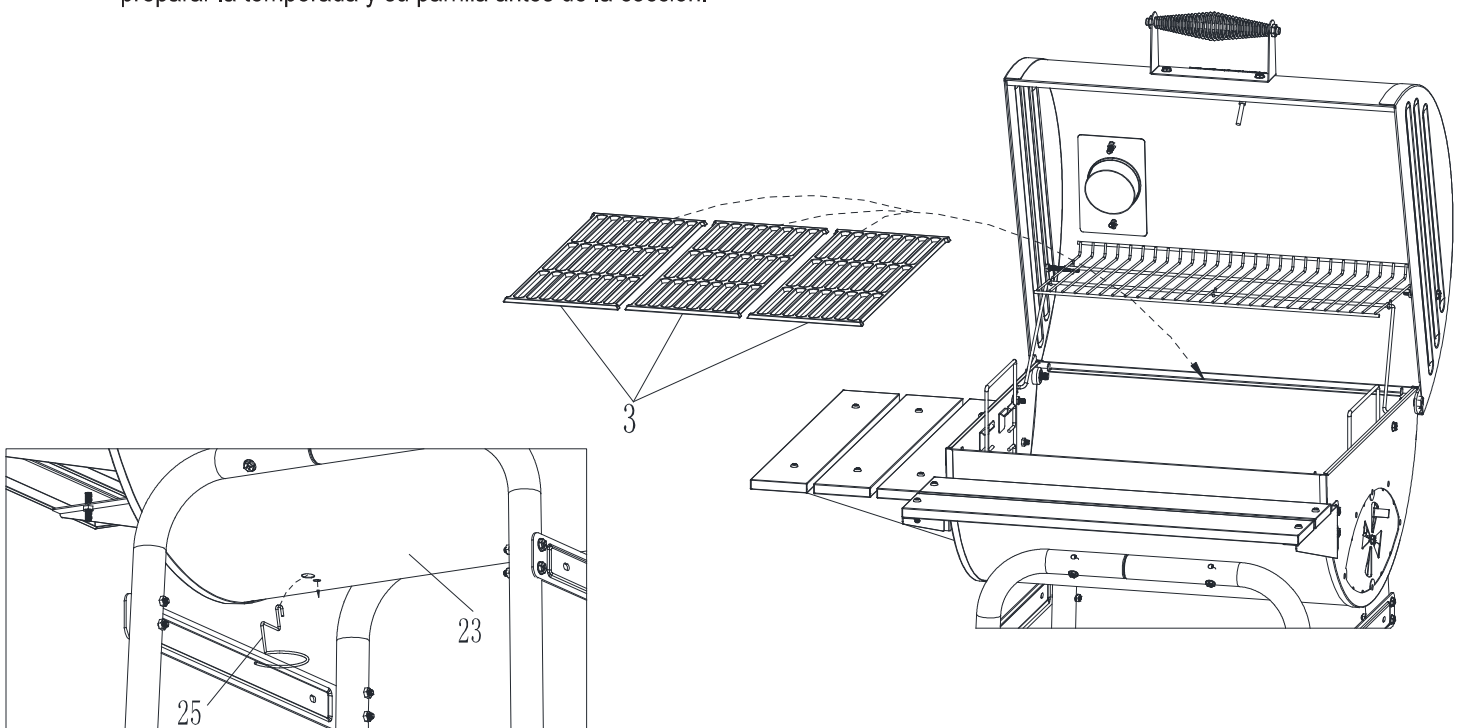
Next, Attach the Grease Cup Clip as shown.

Your grill is now completely assembled. Please refer to page 3 for instructions on how to prepare and season your grill prior to cooking.

Lugar del 3 parrillas de cocina en el fuego. La Cocina rejas se basa en la parte delantera y trasera de los anaqueles de fuego.

Luego, la grasa Adjuntar Copa clip como se muestra.

Su parrilla está completamente ensamblado. Por favor, consulte la página 18 para obtener instrucciones sobre cómo preparar la temporada y su parrilla antes de la cocción.



Two convenient ways to register your product: Deux façons pratiques d'enregistrer votre produit: Dos formas convenientes de registrar su producto:

- 1 Online
En ligne
En línea

www.charbroil.com/register

- 2 By mail | Par la poste | Por correo

PLEASE FILL OUT THIS CARD AND ATTACH A COPY OF YOUR SALES RECEIPT. RETURN IT WITHIN 10 DAYS OF PURCHASE. FOR WARRANTY SERVICE PROOF OF PURCHASE WILL BE REQUIRED. THIS WARRANTY IS NON-TRANSFERABLE.

LLENE ESTA TARJETA Y DEVUELVALA DENTRO DE LOS 10 DIAS DE LA COMPRA. PARA EL SERVICIO DE GARANTIA ES NECESARIO QUE PRESENTE SU COMPROBANTE DE COMPRA. CONSERVE LA FACTURA. ESTA GARANTIA ES INTRANSFERIBLE.

VEUILLEZ COMPLETER CETTE CARTE ET LA RETOURNER DANS LES 10 JOURS SUIVANT L'ACHAT. POUR OBTENIR LE SERVICE SOUS GARANTIE, UNE PREUVE D'ACHAT DOIT ETRE PRESENTEE. VEUILLEZ CONSERVER VOTRE FACTURE. LA PRESENTE GARANTIE N'EST PAS TRANSFERABLE.

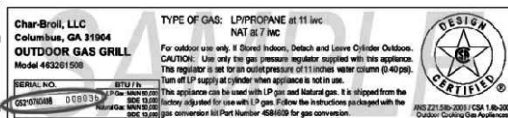
*Required | Necesario | Exigé

~ PLEASE PRINT ~ IMPRIMA POR FAVOR ~ S'IL VOUS PLAÎT IMPRIMER ~

* 1. First Name | Nombre | Prénom _____ Initial | Inicial | Initiale _____ Last Name | Apellido | Nom de Famillie _____
Address (number & street) | Dirección (número y calle) | Adresse (numéro et rue) _____ Apt Number | Nº de apart | Nº d'appt. _____
City | Ciudad | Ville _____ State | Estado | Province _____ Zip Code | Código Zip | Code Postal _____

* 2. E-mail Address | Dirección de correo electrónico | Adresse électronique _____ * 3. Phone Number | Número telefónico | Numéro de téléphone _____

* 4. Model Number | Número de modelo | Numéro de modèle _____



STICKER ON PRODUCT

* 5. Attach copy of your sales receipt here.

Adjunte aqui la copia de su recibo de compra

Veillez attacher une copie de votre reçu ici.

Serial Number | Número de serie | Numéro de série _____

6. Date of Purchase | Fecha de compra | Date de l'achat _____

\$

8. Purchase Price | Precio de compra | Prix d'achat _____

7. Store Name | Nombre de la tienda | Nom du magasin _____

9. Your Gender | Sexo | Sexe:

- Male | Masculino | Masculin
 Female | Femenino | Féminin

10. Which product are you registering?

¿Qué producto está registrando?
Quel produit enregistrez-vous?

1. Gas Grill | Parrilla a gas | Gril au gaz
2. Electric Grill | Parrilla eléctrica | Gril électrique
3. Smoker | Ahumador | Fumoir
4. Charcoal Grill | Parrilla a carbón | Barbecue au charbon
5. Cooker/Fryer | Cocina/freidora | Cuiseur/Friteuse
6. Other | Otro | Autre

Mail to: / Enviar a: / Envoyer à :

Char-Broil Warranty Registration
P.O. Box 1240
Columbus, GA 31902-1240

We respect your privacy. | Respetamos su privacidad. | Nous respectons votre vie privée.

- If you prefer not to receive special offers and promotions from Char-Broil, please check here:
- Marque aquí si no desea recibir ofertas y promociones especiales de Char-Broil:
- Si vous préférez ne pas recevoir d'informations concernant des offres spéciales et des promotions de Charbroil, veuillez cocher ici:

Thank you for completing this questionnaire. | Gracias por completar este cuestionario. | Merci d'avoir bien voulu remplir ce questionnaire.



©2020 Char-Broil, LLC. Columbus, GA, 31902. Printed in China. Imprimé en Chine. Impreso en China.
©2020 Assembly instructions. ©2020 Assemblée des instructions. ©2020 Instrucciones de ensamblado.