

*If you have questions or comments, contact us.  
Pour toute question ou tout commentaire, nous contacter.  
Si tiene dudas o comentarios, contáctenos.*

**1-800-4-DEWALT • [www.dewalt.com](http://www.dewalt.com)**

**INSTRUCTION MANUAL  
GUIDE D'UTILISATION  
MANUAL DE INSTRUCCIONES**

INSTRUCTIVO DE OPERACIÓN, CENTROS DE SERVICIO Y PÓLIZA DE GARANTÍA. **ADVERTENCIA:** LÉASE ESTE INSTRUCTIVO ANTES DE USAR EL PRODUCTO.

---

# DEWALT®

---

**DWX723**

**Heavy-Duty Miter Saw Stand/Établi industriel de scie à onglet/Soporte para ingleteadora de trabajo pesado**

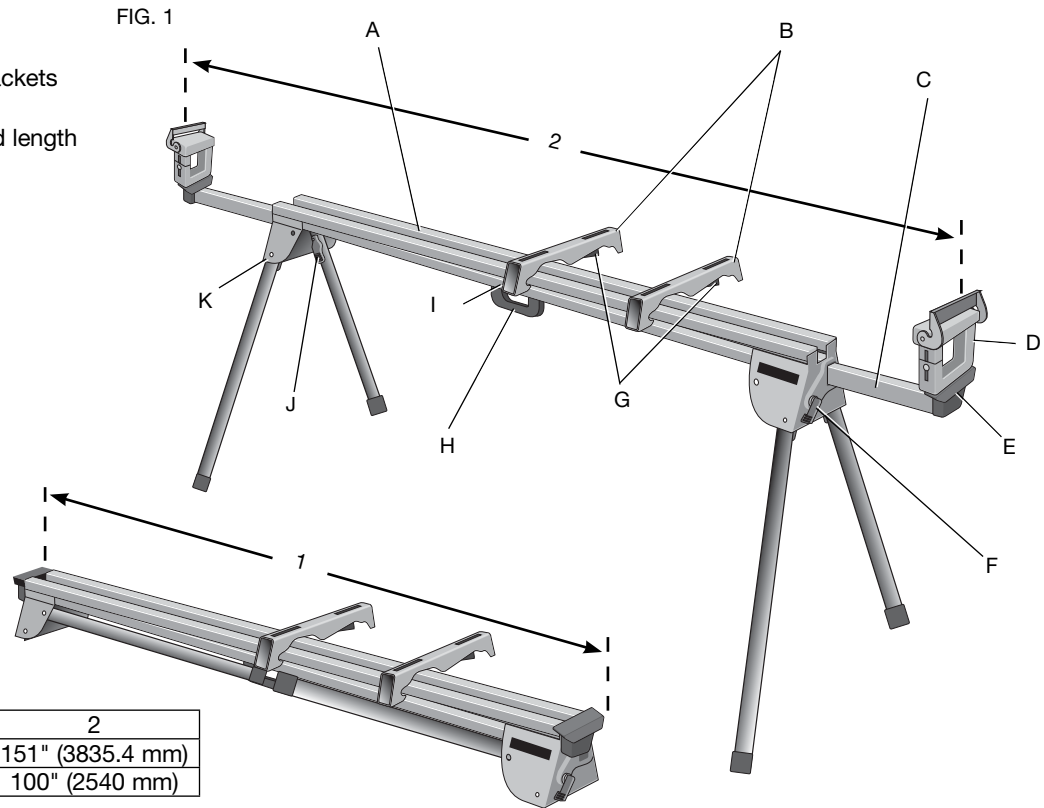
**DWX724**

**Compact Miter Saw Stand/Établi compact de scie à onglet/Soporte compacto para ingleteadora**

## DWX723/DWX724 Miter Saw Stands

### Components List

- A. Beam
- B. DW7231 Miter saw mounting brackets
- C. Extension arm
- D. DW7232 Work piece support and length stop
- E. Extension arm end cap
- F. Extension arm lock lever
- G. Release levers
- H. Carry handle
- I. Locking locator clip
- J. Leg lock lever
- K. Release button



### Definitions: Safety Guidelines

The definitions below describe the level of severity for each signal word. Please read the manual and pay attention to these symbols.

**⚠DANGER:** Indicates an imminently hazardous situation which, if not avoided, **will** result in **death or serious injury**.

**⚠WARNING:** Indicates a potentially hazardous situation which, if not avoided, **could** result in **death or serious injury**.

**⚠CAUTION:** Indicates a potentially hazardous situation which, if not avoided, **may** result in **minor or moderate injury**.

**NOTICE:** Indicates a practice **not related to personal injury** which, if not avoided, **may** result in **property damage**.

IF YOU HAVE ANY QUESTIONS OR COMMENTS ABOUT THIS OR ANY DEWALT TOOL, CALL US TOLL FREE AT: 1-800-4-DEWALT (1-800-433-9258)

### Miter Saw Stand with Folding Legs DWX723/DWX724

This stand is designed for use with most miter saws. If you have any problem with alignment or mounting, call 1-800-4-DEWALT (1-800-433-9258).

**⚠WARNING:** For your own safety, read the miter saw instruction manual before using any accessory. Failure to heed these warnings may result in personal injury and serious damage to the miter saw and the accessory. When servicing this tool, use only identical replacement parts.

### Carton Contents

- 1 Miter saw stand (DWX723 or DWX724)
- 2 Miter saw mounting brackets (DW7231)
- 2 Work piece support and length stops (DW7232)
- 1 Hardware bag

### Tools Required

- Drill with 3/8" (9.5 mm) drill bit (Not required for DEWALT Miter Saws)
- Crosshead #2 screwdriver
- 1/2" (13 mm) Wrench

### Components (Fig. 1)

**⚠WARNING:** Never modify the stand or any part of it. Damage or personal injury could result.

Refer to Figure 1 for **Components List**.

### General Safety Instructions for Miter Saw Stands

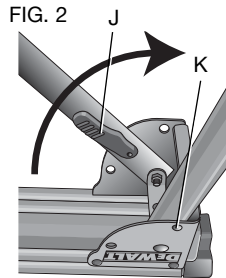
**⚠WARNING:** To reduce the risk of personal injury:

- **ALWAYS use eye protection.** All users and bystanders must wear eye protection that conforms to ANSI Z87.1.
- **ALWAYS check the stability of the miter saw stand and the miter saw attached to it before putting the stand or the saw into use.**
- **DO NOT** mount any power tool other than a miter saw to this stand. Mounting other power tools to this stand could result in severe personal injury.
- **DO NOT** exceed the weight this stand can hold. The main center beam of the miter saw stand is designed to support 500 lbs. (227 kg.) safely in a work environment. It is unsafe to climb, sit or stand on the stand.

- Follow the mounting instructions carefully. Fasten the miter saw to the saw mounting brackets securely as instructed.
- **DO NOT** modify or use stand for operations for which it is unintended.
- **DO NOT** use the stand on uneven surfaces. The stand is designed to be used on a flat, stable surface.
- **DO NOT** use on a slippery surface. The stand load capacity is greatly reduced when used on slippery surfaces.

### Preparation (Fig. 2)

1. Place the miter saw stand on the ground with the folded legs facing up.
2. Depress the leg lock lever (J) or release button (K) and pull leg up until the locking pin clicks into the place. Repeat on each leg.
3. Lift the stand by the center beam and place it in an upright position. The stand should be stable and should not rock.

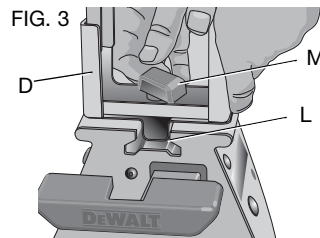


**NOTE:** Ensure all locking pins are engaged and the legs are locked in place.

### ASSEMBLY

#### DW7232 Work Piece Support and Length Stops (Fig. 3-4)

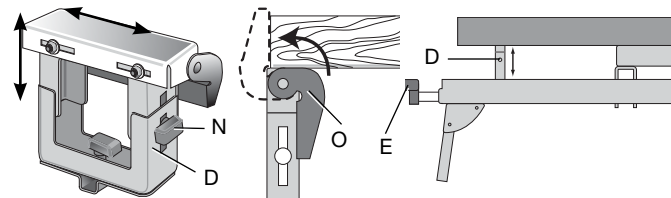
- a. The work support/stop (D) has a clamp (L) to capture the beam and keep it from being knocked off the beam by your material. The knob (M) may be



- b. Adjust the height of the work support/stop (D) by loosening the knobs on both sides (N) and raise or lower the top surface to align with a straight edge or level to the saw table. Tighten the knobs.

**NOTE:** If the work support height adjustment slips down when under a load, the weight limit of the work support has been exceeded. This weight limit is limited by the tightness of the height adjustment knobs. Do not tighten more than finger tight.

FIG. 4

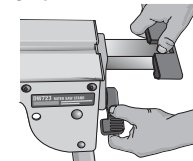


- c. The work support/stop (D) can also be installed in the end cap (E) at the end of the extension arms.
- d. The length stop (O) may be rotated up to serve as a length stop or hold the end of long work pieces.

#### Adjustable Length Extension Arm (Fig. 5)

To lengthen the support surface, turn the extension arm lock lever counterclockwise to release the extendable extension arm.

FIG. 5



Pull the extendable extension arm out to the desired length. Turn the extension arm lock lever clockwise to lock.

### **DW7231 DEWALT Miter Saw Mounting Method (Fig. 6, 7)**

**⚠WARNING:** To reduce the risk of injury, turn unit off, disconnect machine from power source before assembling the miter saw to the miter saw stand. An accidental start-up can cause injury.



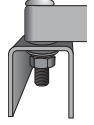
**⚠WARNING:** Stability Hazard. You must use the **Universal Miter Saw Mounting Method** when mounting a miter saw not manufactured by DEWALT to this miter saw stand.

**⚠WARNING:** To reduce the risk of personal injury, be sure the miter saw is fully anchored on the stand.

**⚠WARNING:** For your own safety, read and understand the miter saw instruction manual before using. Failure to heed these warnings may result in personal injury and serious damage to the miter saw and the accessory.

1. Place saw in operational position with blade facing you. Align with label on the mounting bracket showing front.
2. Place a spacer, such as a 2 x 4, under one side of the miter saw to hold the saw's mounting feet above the work surface.
3. Hold a mounting bracket under the saw and feed a carriage bolt (hardware bag) up through the bracket and the foot of the saw.

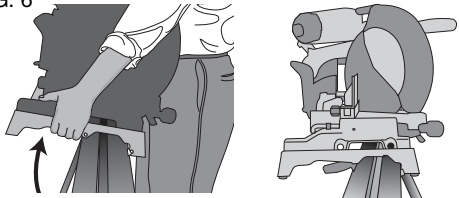
**NOTE:** See **DW7231 Hardware Selection Chart** for the correct mounting hardware procedures for DEWALT miter saws. Follow all instructions properly, otherwise the miter saw's table rotation may be obstructed.

<b>DW7231 HARDWARE SELECTION CHART</b>		
	<b>Left Side</b>	<b>Right Side</b>
DW703	1	1
DW705	1	1
DW706	1	1
DW708	1	2
DW712	1	2
DW713	1	1
DW715	1	1
DW716	1	1
DW717	2	1
DW718	3	2
	1 = Long screw, Head on bottom	
	2 = Short screw, Head on bottom	
	3 = Long screw, Head on top	

4. Once the carriage bolt (hardware bag) is installed per **DW7231 Hardware Selection Chart**, assemble a flat washer, lock washer and nut onto the bolt. Tighten the bolts finger tight.

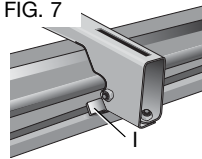
5. Repeat procedure on the other end of the bracket.
6. Move the 2 x 4 to the other side of the saw to hold the other end of the saw up in order to access the saw base.
7. Feed carriage bolts through the other bracket and the base of the saw as before. Ensure both brackets are parallel to each other.
8. To place the saw onto the stand, grasp and lift saw by mounting bracket assembly by the release levers. These levers do not lock the saw laterally in place but merely serve as a means of mounting the saw to the beam.

FIG. 6



9. Approach the beam with saw/bracket assembly tilting toward your body slightly. Engage the concave front lip of the mounting bracket with rounded edge of beam. One of the brackets must engage the locator clip (I) to prohibit lateral movement of the saw during use.
10. When front edge of the beam and locking locator clip are engaged, a slight downward pivot will allow secure engagement of the release levers to the back of the beam. Rock the saw gently on the brackets to verify locking in position.
11. Adjust the saw position as necessary to have the blade perpendicular to the beam when in the 0 degree miter position.
12. Tighten the four nuts holding the saw to the brackets securely.

FIG. 7



### **DW7231 Universal Miter Saw Mounting Method (Fig. 1, 7-9)**

**⚠ WARNING:** To reduce the risk of injury, turn unit off, disconnect machine from power source before assembling the miter saw to the miter saw stand. An accidental start-up can cause injury.

**⚠ WARNING:** Stability Hazard. You must use the plywood mounting method described in the following instructions when mounting a miter saw not manufactured by DEWALT to this miter saw stand.

**⚠ WARNING:** To reduce the risk of personal injury, be sure the miter saw is fully anchored on the stand.

**⚠ WARNING:** For your own safety, read and understand the miter saw instruction manual before using. Failure to heed these warnings may result in personal injury and serious damage to the miter saw and the accessory.

**NOTE:** If you do not have a DEWALT miter saw, you must use 3/4" (19 mm) plywood to mount your miter saw.

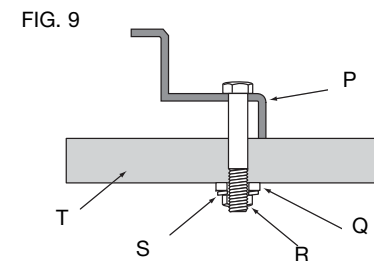
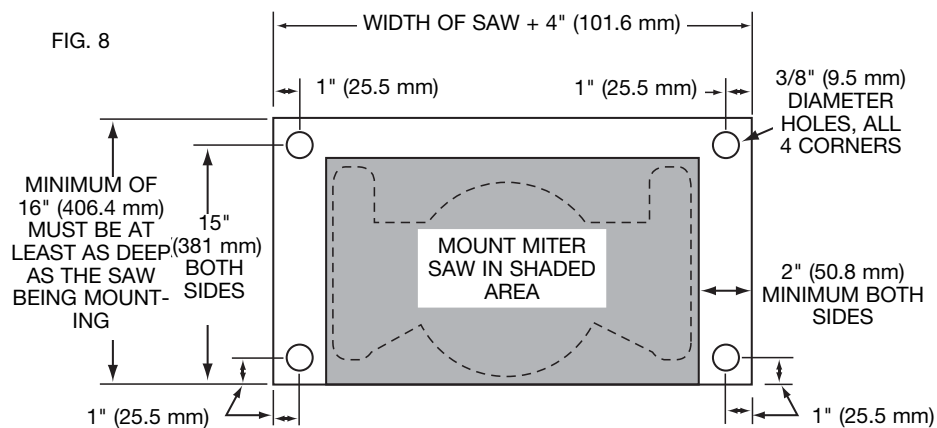
The plywood must be a minimum of 4" (101.6 mm) wider than the largest width of the miter saw base. The plywood should be at least as deep as the smallest depth of the miter saw base or a minimum of 16" (406.4 mm) if miter saw base is smaller. Ensure the plywood is square.

1. Once the Plywood size has been determined, drill 3/8" (9.5 mm) holes 1" (25.5 mm) from the front corners of plywood, 15" (355 mm) apart and 1" (25.5 mm) from the sides.
2. Place DW7231 mounting brackets on the stand:
  - a. Grasp and squeeze release levers (G).
  - b. Engage the concave front lip of the mounting bracket with rounded front edge of beam. One of the mounting brackets must be engaged in the locator clip (I) to prohibit lateral movement of the saw during use.

3. When the front edge of beam and locator clip are engaged, a slight downward pivot will allow secure engagement of the release levers to the back of the beam. Follow same procedure with second mounting bracket at the appropriate position on the beam for the size of the plywood.
  4. Place plywood onto mounting brackets and align drilled holes with slots in mounting brackets. Refer to **DW7231 Hardware Selection Chart** and use either Method 1 or 2 to secure plywood to mounting brackets.
  5. Use 1/2" (13 mm) wrench to tighten hardware.
  6. The miter saw should be mounted to plywood using holes in the miter saw base. The hardware size will be determined by the holes in the miter saw base. Hardware should be 1-1/4" (31.8 mm) longer than the maximum height of the miter saw base at each mounting location.
- a. Transfer location of mounting holes from miter saw base to plywood.
  - b. Drill holes accordingly to the size of the hardware chosen. **NOTE:** Hardware must be purchased to mount miter saw to plywood. All purchased hardware should be a minimum of Grade 5 or Class 8.8.
  - c. Secure miter saw to plywood as shown in Figure 9. Saw base (P), 3/4" (19 mm) plywood (T), flat washer (Q), lock washer (S) and nut (R). **NOTE:** Ensure a flat washer (Q) is used between plywood (T) and lock washer (S).
  - d. Tighten all hardware.

### Carry Strap

If you purchase the carry strap accessory for DEWALT stands, use the square hole in the metal end to mount the accessory.



### **Locking Locator Clip (Fig. 1)**

The locking locator clip (l) keeps the saw from sliding left or right during cutting operations. To move the clip, remove saw/bracket assembly, loosen the screw in the center of the clip, slide it to the desired position and tighten the screw. You can then remount the saw/bracket in the new location.

### **Removing the Saw**

Once the miter saw is fastened to the brackets, it can be removed by grasping the release levers, pulling up slightly to clear the beam and can be set down on the non marring feet for transportation or cleaning.

### **Carry Handle (Fig. 10)**

A handle has been supplied to transport the miter saw stand to and from the work site.

**▲ WARNING:** To reduce the risk of personal injury, **DO NOT** attempt to store or carry the stand with the saw attached. Loss of control may result.

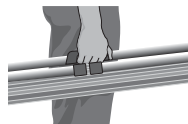
### **Accessories**

**▲ WARNING:** Since accessories, other than those offered by DEWALT, have not been tested with this product, use of such accessories with this tool could be hazardous. To reduce the risk of injury, do not create unstable conditions and use only with DEWALT miter saw stands.

#### **COMPATIBLE PRODUCTS**

DW7231 – Miter saw mounting brackets  
 DW7232 – Work piece support and length stops  
 DW7029 – Wide work piece support and length stops

FIG. 10



DW7027 – Roller work piece support

DW7028 – Extension support

DW7026 – Carry strap

Recommended accessories for use with your tool are available at extra cost from your local dealer or authorized service center. If you need assistance in locating any accessory, please contact DEWALT Industrial Tool Co., 701 East Joppa Road, Baltimore, MD 21286, call 1-800-4-DEWALT (1-800-433-9258) or visit our website [www.dewalt.com](http://www.dewalt.com).

### **Repairs**

To assure product SAFETY and RELIABILITY, repairs, maintenance and adjustments should be performed by a DEWALT factory service center, a DEWALT authorized service center or other qualified service personnel. Always use identical replacement parts.

### **Three Year Limited Warranty**

DEWALT will repair, without charge, any defects due to faulty materials or workmanship for three years from the date of purchase. This warranty does not cover part failure due to normal wear or tool abuse. For further detail of warranty coverage and warranty repair information, visit [www.dewalt.com](http://www.dewalt.com) or call 1-800-4-DEWALT (1-800-433-9258). This warranty does not apply to accessories or damage caused where repairs have been made or attempted by others. This warranty gives you specific legal rights and you may have other rights which vary in certain states or provinces.

In addition to the warranty, DEWALT tools are covered by our:

#### **1 YEAR FREE SERVICE**

DEWALT will maintain the tool and replace worn parts caused by normal use, for free, any time during the first year after purchase.



### 90 DAY MONEY BACK GUARANTEE

If you are not completely satisfied with the performance of your DEWALT Power Tool, Laser, or Nailer for any reason, you can return it within 90 days from the date of purchase with a receipt for a full refund – no questions asked.

**LATIN AMERICA:** This warranty does not apply to products sold in Latin America. For products sold in Latin America, see country specific warranty information contained either in the packaging, call the local company or see website for warranty information.

**FREE WARNING LABEL REPLACEMENT:** If your warning labels become illegible or are missing, call 1-800-4-DEWALT (1-800-433-9258) for a free replacement.

English

**DWX723 HEAVY DUTY MITER SAW STAND**

**⚠️WARNING** READ INSTRUCTIONS BEFORE USE. FOR USE WITH MITER SAWS. FASTEN TOOL TO MOUNTING BRACKETS AND TO STAND PER INSTRUCTION LITERATURE BEFORE USE. ALWAYS MOUNT SAW AS FAR FORWARD AS POSSIBLE. OPEN STAND FULLY BEFORE USE. MAXIMUM LOAD - 500 LBS. (227KG). DO NOT CLIMB, SIT OR STAND ON SAW STAND. DO NOT USE STAND ON UNEVEN, UNSTABLE OR SLIPPERY SURFACE.

D/WALT INDUSTRIAL TOOL CO., BALTIMORE, MD 21286 U.S.A.  
FOR SERVICE INFORMATION, CALL 1-800-4-DEWALT www.D/WALT.com

**⚠️ADVERTENCIA** LEA LAS INSTRUCCIONES ANTES DE UTILIZAR, PARA UTILIZAR CON SIERRAS INGLETADORAS, ASEGURE LA HERRAMIENTA EN LOS SOPORTES DE MONTAJE Y A LA BASE DE ACUERDO CON LAS INSTRUCCIONES IMPRESAS ANTES DE UTILIZAR. MONTE SIEMPRE LA SIERRA TAN ADELANTE COMO SEA POSIBLE. ABRA COMPLETAMENTE LA BASE ANTES DE UTILIZAR. CARGA MÁXIMA - 500 LBS. (227KG). NO SE SUBA, SE SIENTE NI SE PARE SOBRE LA BASE DE LA SIERRA, NO UTILICE EL SOPORTE SOBRE UNA SUPERFICIE IRREGULAR, INESTABLE O RESBALOSA.

**⚠️AVERTISSEMENT** LIRE LE MODE D'EMPLOI AVANT D'UTILISER LE PRODUIT. A UTILISER AVEC UNE SCIE À ONGLET. FIXEZ L'OUTIL AUX SUPPORTS DE FIXATION ET AU SOCLE CONFORMÉMENT AU MODE D'EMPLOI AVANT D'UTILISER LE PRODUIT. TOUJOURS MONTER LA SCIE DE MANIÈRE À CE QU'ELLE SOIT AUSSI AVANCÉE QUE POSSIBLE DEVANT COMPLÈTEMENT LE SOCLE AVANT D'UTILISER LE PRODUIT. CHARGE MAXIMALE - 227 KG (500 LB). NE PAS GRIMPER, S'ASSÉOIR OU SE TENIR SUR LE SOCLE DE LA SCIE. NE PAS UTILISER LE SUPPORT SUR UNE SURFACE IRÉGULIÈRE, INSTABLE OU GLISSANTE.

**DWX724 COMPACT MITER SAW STAND**

**⚠️WARNING** READ INSTRUCTIONS BEFORE USE. FOR USE WITH MITER SAWS. FASTEN TOOL TO MOUNTING BRACKETS AND TO STAND PER INSTRUCTION LITERATURE BEFORE USE. ALWAYS MOUNT SAW AS FAR FORWARD AS POSSIBLE. OPEN STAND FULLY BEFORE USE. MAXIMUM LOAD - 500 LBS. (227KG). DO NOT CLIMB, SIT OR STAND ON SAW STAND. DO NOT USE STAND ON UNEVEN, UNSTABLE OR SLIPPERY SURFACE.

D/WALT INDUSTRIAL TOOL CO., BALTIMORE, MD 21286 U.S.A.  
FOR SERVICE INFORMATION, CALL 1-800-4-DEWALT www.D/WALT.com

**⚠️WARNING** MITER SAW MOUNTING BRACKET DW7231

ALWAYS MOUNT SAW AS FAR FORWARD AS POSSIBLE. READ INSTRUCTIONS BEFORE USE. FOR USE WITH DEWALT MITER SAW STANDS. FASTEN MITER SAW SECURELY TO MOUNTING BRACKETS AND TO STAND PER INSTRUCTION LITERATURE. OPEN LEGS OF STAND FULLY BEFORE USE. ENSURE LOAD IS DIRECTLY OVER STAND BEAM. DO NOT CLIMB, SIT OR STAND ON SAW STAND. DO NOT USE STAND ON UNEVEN, UNSTABLE OR SLIPPERY SURFACE.

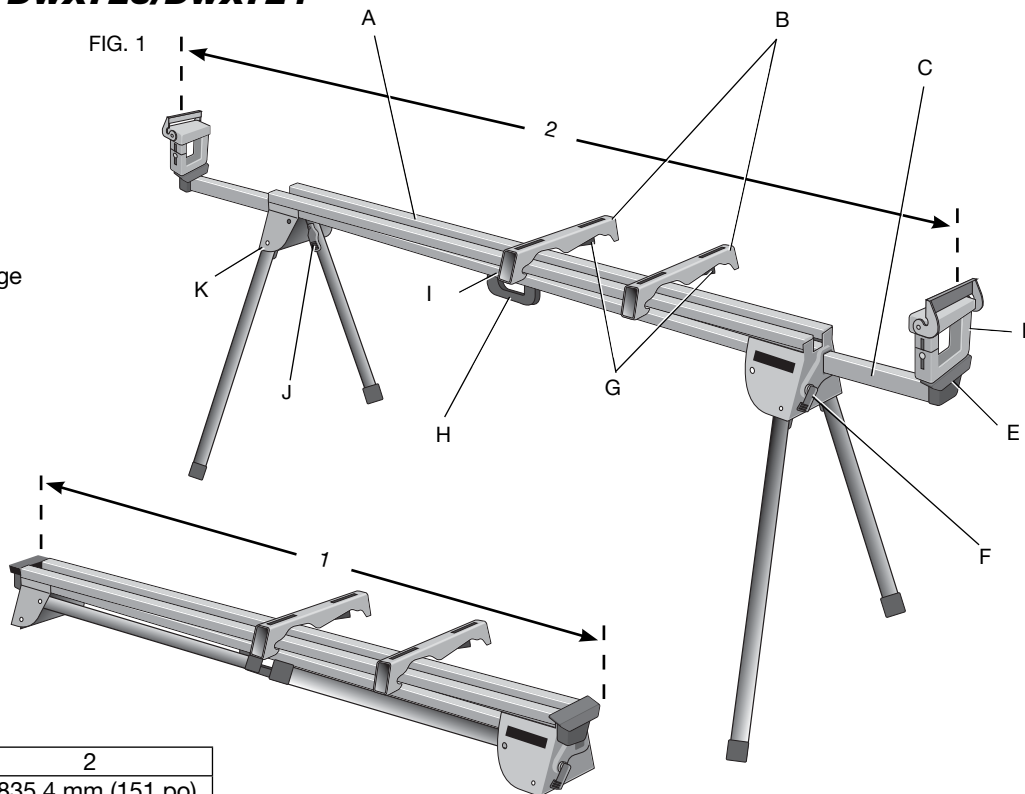
**⚠️ADVERTENCIA** SIEMPRE MONTE LA SIERRA TAN ADELANTE COMO SEA POSIBLE. LEA LAS INSTRUCCIONES ANTES DE UTILIZARLA. A UTILIZAR CON SOPORTES PARA SIERRA DE INGLETE DEWALT. SUJETE LA SIERRA DE INGLETE A LOS SOPORTES DE MONTAJE Y AL SOPORTE DE ACUERDO CON EL INSTRUCTIVO. ABRA COMPLETAMENTE LAS PATAS DEL SOPORTE ANTES DE UTILIZAR. ASEGURE QUE LA CARGA ESTE COLGADA DIRECTAMENTE SOBRE LA BEA DEL SOPORTE. NO SUBIRSE, SENTARSE O PARARSE SOBRE EL SOPORTE DE LA SIERRA. NO UTILICE EL SOPORTE SOBRE UNA SUPERFICIE IRREGULAR, INESTABLE O RESBALOSA.

**⚠️AVERTISSEMENT** TOUJOURS MONTER UNE SCIE DE MANIÈRE À CE QU'ELLE SOIT AUSSI AVANCÉE QUE POSSIBLE. LIRE LE MODE D'EMPLOI AVANT D'UTILISER LE PRODUIT. A UTILISER AVEC LES SUPPORTS DE SCIE À ONGLET DEWALT. ARRIMER SÛREMENT LA SCIE À ONGLET AUX DÉPOSITS DE FIXATION ET À L'ÉTABLI CONFORMÉMENT AUX INSTRUCTIONS DE LA DOCUMENTATION. OUVRIRE COMPLÈTEMENT LES PATES DU SOCLE AVANT D'UTILISER LE PRODUIT. VÉRIFIER À CE QUE LA CHARGE SOIT POSÉE DIRECTEMENT SUR LE LONGERON DU SUPPORT. NE PAS GRIMPER, S'ASSÉOIR OU SE TENIR DEBOUT SUR LE SOCLE DE LA SCIE. NE PAS UTILISER LE SUPPORT SUR UNE SURFACE IRÉGULIÈRE, INSTABLE OU GLISSANTE.

## Établis de scie à onglet DWX723/DWX724

### Description

- A. Longeron
- B. Dispositifs de fixation de scie à onglet DW7231
- C. Rallonge
- D. Support de pièce et butée de longueur DW7232
- E. Embout de rallonge
- F. Levier de verrouillage de la rallonge
- G. Leviers de déverrouillage
- H. Poignée de transport
- I. Agrafe de positionnement verrouillable
- J. Levier de verrouillage de pied
- K. Bouton de libération



	1	2
DWX723	1765,3 mm (69,5 po)	3835,4 mm (151 po)
DWX724	1092,2 mm (43 po)	2540 mm (100 po)

### **Définitions : lignes directrices en matière de sécurité**

Les définitions ci-dessous décrivent le niveau de danger pour chaque mot-indicateur employé. Lire le mode d'emploi et porter une attention particulière à ces symboles.

**⚠DANGER** : indique une situation dangereuse imminente qui, si elle n'est pas évitée, **entraînera la mort ou des blessures graves.**

**⚠AVERTISSEMENT** : indique une situation potentiellement dangereuse qui, si elle n'est pas évitée, **pourrait entraîner la mort ou des blessures graves.**

**⚠ATTENTION** : indique une situation potentiellement dangereuse qui, si elle n'est pas évitée, **pourrait entraîner des blessures légères ou modérées.**

**AVIS** : indique une pratique ne posant **aucun risque de dommages corporels** mais qui par contre, si rien n'est fait pour l'éviter, **pourrait poser des risques de dommages matériels.**

EN CAS DE QUESTIONS OU DE COMMENTAIRES SUR CET OUTIL OU SUR TOUT AUTRE OUTIL DEWALT, APPELEZ-NOUS SANS FRAIS AU NUMÉRO SUIVANT : **1 (800) 4-DEWALT (1 (800) 433-9258)**

### **Support de scie à onglets avec pattes pliantes DWX723/DWX724**

Ce support est destiné à être utilisé avec la plupart des modèles de scie à onglets. Si on éprouve des difficultés au niveau de son alignement ou de son montage, composer le 1-800-4-DEWALT (1 800 433-9258).

**⚠ AVERTISSEMENT** : pour votre sécurité, lire le manuel de l'utilisateur de la scie à onglet avant l'utilisation de tout accessoire. Tout manquement à ces avertissements augmente les risques de dommages corporels, et les risques de sérieusement endommager la scie à onglet et ses accessoires. Lors de l'entretien de cet appareil, utiliser seulement des pièces de rechange identiques.

### **Contenu du carton**

- 1 Établi de scie à onglet (DWX723 ou DWX724)
- 2 Dispositifs de fixation de scie à onglet (DW7231)
- 2 Support de pièce et butées de longueur (DW7232)
- 1 Sac de quincaillerie

### **Outils nécessaires**

- Perceuse munie d'une mèche de 9,5 mm (3/8 po) (inutile avec les scies à onglet DEWALT)
- Tournevis en croix #2
- Clé de 13 mm (1/2 po)

### **Description (Fig. 1)**

**⚠ AVERTISSEMENT** : ne jamais modifier l'outil ni aucun de ses composants, car il y a risques de dommages corporels ou matériels. Se reporter à la figure 1 pour la Description de l'établi.

### **Consignes générales de sécurité relatives aux établis de scie à onglet**

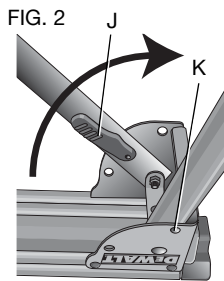
**⚠ AVERTISSEMENT** : pour réduire tout risque de dommages corporels :

- **Porter SYSTÉMATIQUEMENT une protection oculaire.** Tout utilisateur ou individu présent doit porter une protection oculaire homologuée ANSI Z87.1.

- Vérifier **SYSTÉMATIQUEMENT** la stabilité de l'établi de scie à onglet et celle de la scie à onglet qui lui est rattachée, avant toute utilisation de l'établi et de la scie.
- N'installer **AUCUN** outil électrique autre qu'une scie à onglet sur cet établi. Le fait de monter tout autre outil sur cet établi augmente les risques de dommages corporels.
- **NE PAS** excéder le poids maximum recommandé pour ce support. Le longeron central principal du support de scie à onglet a été conçu pour supporter en toute sécurité 227 kg (500 lb).
- Suivre soigneusement les instructions d'installation. Arrimer soigneusement la scie à onglet aux dispositifs de fixation de la scie conformément aux instructions.
- **NE PAS** modifier ou utiliser le socle pour des fonctions auxquelles il n'est pas conçu.
- **NE PAS** utiliser le socle sur une surface inégale. Il est conçu pour une utilisation sur une surface plane et stable.
- **NE PAS** l'utiliser sur une surface glissante. La capacité de charge de l'établi est grandement réduite lorsqu'utilisé sur une surface glissante.

### Préparation (Fig. 2)

1. Placez l'établi de scie à onglet sur le sol avec ses pieds repliés sur le dessus.
2. Appuyez sur le levier de verrouillage du pied (J) ou le bouton de libération (K) et tirez le pied vers le haut jusqu'à ce que la goupille de verrouillage s'enclenche en place. Répétez l'opération pour l'autre pied.



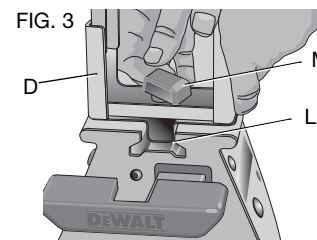
3. Soulevez l'établi par le centre du longeron et mettez-le en station verticale. L'établi devrait être stable et fixe.

**REMARQUE :** veiller à ce que les goupilles de verrouillage soient bien enclenchées et les pieds verrouillés en place.

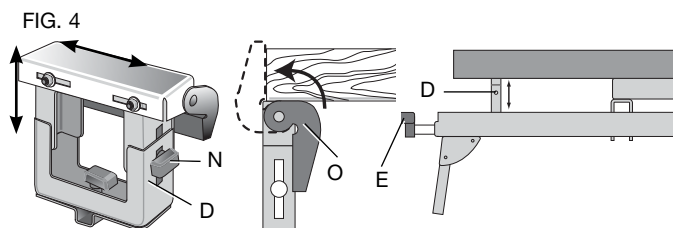
### MONTAGE

#### Support de pièce et butées de longueur (DW7232) (Fig. 3 à 4)

- a. Le dispositif support de pièce/ butée (D) est équipé d'une fixation (L) pour l'arrimer au longeron et l'empêcher d'être éjecté du longeron par le matériau. Le bouton (M) peut être verrouillé en tournant vers la droite, et le dispositif butée/ support de pièce peut être repositionné facilement en tournant le bouton vers la gauche. Évitez de trop serrer, une pression ferme sur le bouton suffira pour maintenir la butée en place.
- b. Ajustez la hauteur du support de pièce/butée (D) en desserrant les boutons de chaque côté (N), et élevez ou abaissez la surface supérieure pour l'aligner avec un guide de chant ou la mettre de niveau avec la table de scie. Resserrez les boutons.



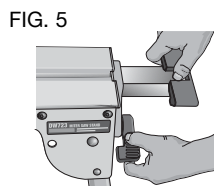
**REMARQUE :** si le réglage de la hauteur du support de pièce bouge sous la charge, la limite de poids du support de pièce aura été excédée. La limite de poids est fonction du serrage des boutons de réglage de hauteur. Ne serrez qu'avec les doigts.



- c. Le dispositif support de pièce/butée (D) peut aussi être installé sur l'embout (E) à l'extrémité des rallonges.
- d. La butée de longueur (O) peut être tournée vers le haut pour servir de butée de longueur ou pour maintenir l'extrémité de longues pièces.

### Rallonge réglage (Fig. 5)

Pour rallonger la surface de l'établi, tournez le levier de verrouillage de la rallonge vers la gauche pour libérer la rallonge extensible. Étirez la rallonge extensible sur la longueur désirée. Refermez le levier de verrouillage de la rallonge vers la droite.



### Méthode d'installation de la scie à onglet DEWALT DW7231 (Fig. 6, 7)

**⚠AVERTISSEMENT** : pour réduire tout risque de dommages corporels, arrêter et débrancher la scie à onglet du secteur avant de la monter sur le support de scie à onglet. Tout démarrage accidentel comporte des risques de dommages corporels.

**⚠AVERTISSEMENT** : risques d'instabilité. Pour installer une scie à onglet non fabriquée par DEWALT sur cet établi de scie à onglet, suivre la **Méthode d'installation de scie à onglet universelle**.

**⚠AVERTISSEMENT** : pour réduire tout risque de dommages corporels, s'assurer que la scie à onglet est fermement arrimée au support.



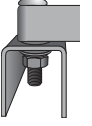
**⚠AVERTISSEMENT** : pour votre sécurité, lire et comprendre le manuel de l'utilisateur de la scie à onglet avant toute utilisation. Tout manquement à ces avertissements augmente les risques de dommages corporels, et les risques de sérieusement endommager la scie à onglet et ses accessoires.

1. Installez la scie en position opérationnelle avec la lame face à vous. Alignez-la sur l'étiquette de la ferrure affichant « avant ».
2. Placez une barre d'écartement, comme un colombage, sous l'un des côtés de la scie à onglet pour surélever les pieds de montage de la scie au-dessus de la surface de travail.
3. Maintenez une ferrure sous la scie et insérez un boulon de carrosserie (sac pour quincaillerie) au travers de la ferrure et du pied de scie.

**REMARQUE** : consulter le **Tableau de sélection de matériel DW7231** pour connaître la procédure correcte d'installation des scies à onglet DEWALT. Suivre soigneusement toutes les directives, pour éviter d'entraver la rotation de la table de scie à onglet.

TABLEAU DE SÉLECTION DE MATÉRIEL DW7231		
	Côté gauche	Côté droit
DW703	1	1
DW705	1	1
DW706	1	1
DW708	1	2
DW712	1	2
DW713	1	1
DW715	1	1
DW716	1	1
DW717	2	1
DW718	3	2

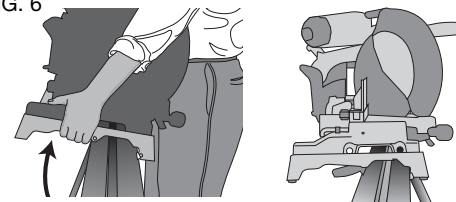
  

	1 = vis longue, tête dessous
	2 = vis courte, tête dessous
	3 = vis longue, tête dessus

4. Une fois le boulon de carrosserie (sac de quincaillerie) installé conformément au **Tableau de sélection de matériel DW7231**, insérez une rondelle plate, une rondelle de blocage et un écrou sur le boulon. Resserrez à fond manuellement les boulons.

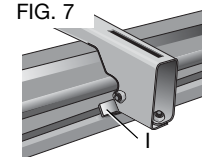
- Répétez la procédure à l'autre bout de la ferrure.
- Déplacez le colombage de l'autre côté de la scie pour le soutenir et avoir accès à la base de la scie.
- Insérez les boulons au travers de l'autre ferrure et de la base de la scie comme indiqué ci-dessus. Assurez-vous que les ferrures sont bien parallèles.
- Pour installer la scie sur le support, attrapez et soulevez la scie par les leviers de dégagement du dispositif de ferrure. Ces leviers ne servent pas à verrouiller la scie en place latéralement, mais seulement à installer la scie sur le longeron.

FIG. 6



- Approchez-vous du longeron avec le dispositif scie/ferrure légèrement incliné vers votre corps. Engagez la lèvre avant concave des ferrures sur le rebord arrondi du longeron. L'une des ferrures doit s'enclencher dans l'agrafe de positionnement (I) pour éviter tout mouvement latéral de la scie pendant son utilisation.

FIG. 7



- Lorsque le bord avant du longeron et l'agrafe de positionnement sont verrouillés, un léger pivotement vers le bas permettra d'engager les leviers postérieurs à l'arrière du longeron. Essayez de remuer légèrement la scie sur les ferrures pour vérifier qu'elle est bien verrouillée en place.

11. Ajustez la position de la scie comme nécessaire de façon à ce que la lame soit perpendiculaire au longeron en position de zéro degré d'onglet.

12. Resserrez les quatre écrous arrimant la scie aux ferrures.

### **Méthode d'installation de scie à onglet universelle DW7231 (Fig. 1, 7 à 9)**

**⚠AVERTISSEMENT** : pour réduire tout risque de dommages corporels, arrêter et débrancher la scie à onglet du secteur avant de la monter sur le support de scie à onglet. Tout démarrage accidentel comporte des risques de dommages corporels.

**⚠AVERTISSEMENT** : risques d'instabilité. Pour installer une scie à onglet non fabriquée par DEWALT sur cet établi de scie à onglet, suivre la méthode d'installation sur contreplaqué suivante.

**⚠AVERTISSEMENT** : pour réduire tout risque de dommages corporels, s'assurer que la scie à onglet est fermement arrimée au support.

**⚠AVERTISSEMENT** : pour votre sécurité, lire et comprendre le manuel de l'utilisateur de la scie à onglet avant toute utilisation. Tout manquement à ces avertissements augmente les risques de dommages corporels, et les risques d'endommager sérieusement la scie à onglet et ses accessoires.

**REMARQUE** : si votre scie n'est pas une scie à onglet DEWALT, un morceau de contreplaqué de 19 mm (3/4 po) sera nécessaire pour y fixer la scie à onglet.

Le contreplaqué doit dépasser d'au moins 101,6 mm (4 po) de la partie la plus large de la base de la scie à onglet. Le contreplaqué doit être au moins aussi profond que la profondeur minimale de la base de la scie à onglet, ou mesurer au minimum 406,4 mm (16 po) si la base de scie à onglet est plus petite. Veillez à ce que le contreplaqué soit bien carré.

1. Une fois la taille du contreplaqué déterminée, percez des trous de 9,5 mm (3/8 po) à 25,5 mm (1 po) des coins avant du contreplaqué, tous les 355 mm (15 po) et à 25,5 mm (1 po) des bords.
2. Placez les dispositifs de fixation DW7231 sur l'établi :
  - a. Attrapez et appuyez sur les leviers de déverrouillage (G).
  - b. Engagez la lèvre avant concave du dispositif de fixation sur le rebord arrondi avant du longeron. L'un des dispositifs de fixation doit s'enclencher dans l'agrafe de positionnement (I) pour éviter tout mouvement latéral de la scie pendant son utilisation.
3. Lorsque le bord avant du longeron et l'agrafe de positionnement sont verrouillés, un léger pivotement vers le bas permettra le verrouillage des leviers de déverrouillage à l'arrière du longeron. Suivez la même procédure avec le second dispositif de fixation, sur la position appropriée sur le longeron suivant la taille du contreplaqué.
4. Placez le contreplaqué sur les dispositifs de fixation et alignez les trous percés sur les orifices des dispositifs de fixation. Reportez-vous au **Tableau de sélection de matériel DW7231** et utilisez la méthode 1 ou 2 pour arrimer le contreplaqué aux dispositifs de fixation.
5. Utilisez la clé de 13 mm (1/2 po) pour resserrer la quincaillerie.
6. La scie à onglet doit être montée sur le contreplaqué à l'aide des trous sur la base de la scie à onglet. La taille du matériel utilisé sera déterminée par les trous de la base de la scie à onglet. La quincaillerie devrait dépasser d'au moins 31,8 mm (1-1/4 po) de la hauteur maximale de la base de la scie à onglet sur chaque point d'assemblage.

- a. Marquez l'emplacement des trous de montage de la base de la scie à onglet sur le contreplaqué.
- b. Percez les trous conformément à la taille de la quincaillerie choisie.

**REMARQUE :** la quincaillerie nécessaire à l'installation de la scie à onglet sur le contreplaqué est vendue séparément. Toute quincaillerie utilisée doit être d'un grade 5 ou de classe 8.8 minimum.

- c. Arrimez la scie à onglet au contreplaqué, comme illustré en figure 9. Base de la scie (P), contreplaqué 19 mm (3/4 po) (T), rondelle plate (Q), rondelle de blocage (S) et écrou (R).

**REMARQUE :** veillez à utiliser une rondelle plate (Q) entre le contreplaqué (T) et la rondelle de blocage (S).

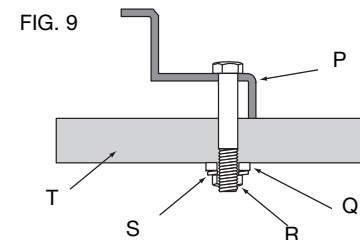
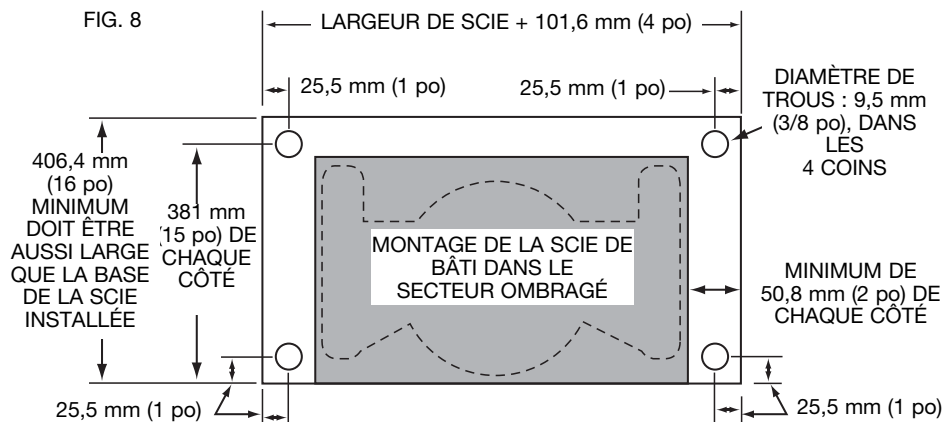
- d. Resserrez l'ensemble de la quincaillerie.

### **Courroie de transport**

Si vous avez acheté une courroie de transport pour établis DEWALT, veuillez utiliser le petit trou carré à l'extrémité du métal pour installer cet accessoire.

### **Agrafe de fixation du positionneur (Fig. 1)**

L'agrafe de fixation du positionneur (I) empêche la scie de glisser vers la gauche ou vers la droite durant la coupe. Pour déplacer l'agrafe, retirer la scie et ses ferrures, desserrer la vis située au centre de l'agrafe et faire glisser celle-ci jusqu'à la position voulue; resserrer la vis. Réinstaller la scie (avec les ferrures) à la nouvelle position.





## Retrait de la scie

Une fois la scie à onglet arrimée aux dispositifs de fixation, elle peut être retirée en attrapant les leviers de déverrouillage, et en tirant légèrement pour libérer le longeron. Elle peut alors être posée sur ses patins anti-rayures pour transport et entretien.

## Poignée de transport (Fig. 10)

Une poignée est fournie pour transporter l'établi de scie à onglet sur les chantiers. FIG. 10

**⚠ AVERTISSEMENT** : pour réduire tout risque de dommages corporels, **NE PAS tenter d'entreposer ou transporter l'établi avec la scie rattachée, pour éviter tout risque d'en perdre le contrôle.**



## Accessoires

**⚠ AVERTISSEMENT** : comme les accessoires autres que ceux offerts par DEWALT n'ont pas été testés avec ce produit, leur utilisation avec cet appareil pourrait comporter un danger. Pour réduire tout risque de dommages corporels, éviter toute condition précaire et utiliser seulement des établis de scies à onglet DEWALT.

### PRODUITS COMPATIBLES

- DW7231 – Dispositifs de fixation de scie à onglet
- DW7232 – Support de pièce et butées de longueur
- DW7029 – Support de pièce large et butées de longueur
- DW7027 – Support de pièce à rouleaux
- DW7028 – Support extensible
- DW7026 – Courroie de transport

Les accessoires recommandés pour votre outil peuvent être achetés auprès du distributeur local ou d'un centre de réparation agréé. Si vous avez besoin d'assistance pour trouver un accessoire pour votre outil, veuillez contacter DEWALT Industrial Tool Co., 701 East Joppa Road, Baltimore, MD 21286, États-Unis, composer le 1(800) 4-DEWALT (1-800-433-9258) ou visiter notre site Web à [www.dewalt.com](http://www.dewalt.com).

## Réparations

Pour assurer la SÉCURITÉ et la FIABILITÉ du produit, les réparations, l'entretien et les réglages doivent être réalisés par un centre de réparation en usine DEWALT, un centre de réparation autorisé DEWALT ou par un personnel de réparation professionnel. Toujours utiliser des pièces de rechange identiques.

## Garantie limitée trois ans

DEWALT réparera gratuitement tous les problèmes dus à des défauts de matériau ou de fabrication pendant trois ans à compter de la date d'achat. Cette garantie ne couvre pas des défaillances de pièce dues à une usure normale ou à une mauvaise utilisation de l'outil. Pour plus de détails relatifs à la couverture de la garantie et aux réparations sous garantie, visiter le site Web [www.dewalt.com](http://www.dewalt.com) ou composer le 1-800-4-DEWALT (1-800-433-9258). Cette garantie ne s'applique pas aux accessoires ni aux dommages causés par des réparations réalisées ou tentées par des tiers. Cette garantie vous accorde des droits légaux spécifiques et il est possible que vous ayez d'autres droits qui varient d'un État ou d'une province à l'autre.

En plus de la garantie, les outils DEWALT sont couverts par notre :

**SERVICE D'ENTRETIEN GRATUIT DE 1 AN**

DEWALT entretiendra l'outil et remplacera les pièces usées par une utilisation normale et ce, gratuitement, à tout instant pendant la première année à compter de la date d'achat.

**GARANTIE DE REMBOURSEMENT DE 90 JOURS**

Si vous n'êtes pas entièrement satisfait des performances de votre outil électrique, laser ou de votre marteau-cloueur DEWALT pour quelque raison que ce soit, vous pouvez le retourner accompagné d'un reçu dans les 90 jours suivant la date d'achat et nous vous rembourserons entièrement - sans poser de questions.

**AMÉRIQUE LATINE :** cette garantie ne s'applique pas aux produits vendus en Amérique latine. Pour ceux-ci, veuillez consulter les informations relatives à la garantie spécifique présente dans l'emballage, appeler l'entreprise locale ou consulter le site Web pour les informations relatives à cette garantie.

**REMPACEMENT GRATUIT DES ÉTIQUETTES D'AVERTISSEMENT :** si les étiquettes d'avertissement deviennent illisibles ou sont manquantes, composer le 1-800-4-DEWALT (1-800-433-9258) pour en obtenir le remplacement gratuit.

**DWX723 HEAVY DUTY MITER SAW STAND**

**⚠️WARNING** READ INSTRUCTIONS BEFORE USE. FOR USE WITH MITER SAWS, FASTEN TOOL TO MOUNTING BRACKETS AND TO STAND PER INSTRUCTION LITERATURE BEFORE USE. ALWAYS MOUNT SAW AS FAR FORWARD AS POSSIBLE, OPEN STAND FULLY BEFORE USE. MAXIMUM LOAD - 500 LBS. (227KG). DO NOT CLIMB, SIT OR STAND ON SAW STAND. DO NOT USE STAND ON UNEVEN, UNSTABLE OR SLIPPERY SURFACE.

DEWALT INDUSTRIAL TOOL CO., BALTIMORE, MD 21286 U.S.A.  
FOR SERVICE INFORMATION, CALL 1-800-4-DEWALT www.DEWALT.com

**⚠️ADVERTENCIA** LEA LAS INSTRUCCIONES ANTES DE UTILIZAR. PARA UTILIZAR CON SIERRAS INGLETADORAS, ASEGURE LA HERRAMIENTA EN LOS SOPORTES DE MONTAJE Y A LA BASE DE ACUERDO CON LAS INSTRUCCIONES IMPRESAS ANTES DE UTILIZAR. MONTE SIEMPRE LA SIERRA TAN ADELANTE COMO SEA POSIBLE. ABRA COMPLETAMENTE LA BASE ANTES DE UTILIZAR. CARGA MÁXIMA - 500 LIBS. (227KG). NO SE SUBA, SE SENTÉ NI SE PARE SOBRE LA BASE DE LA SIERRA. NO UTILICE EL SOPORTE SOBRE UNA SUPERFICIE IRREGULAR, INESTABLE O RESBALOSA.

**⚠️AVERTISSEMENT** LIRE LE MODE D'EMPLOI AVANT D'UTILISER LE PRODUIT. A UTILISER AVEC UNE SCIE À ONGLET. FIXER L'OUTIL AUX SUPPORTS DE FIXATION ET AU SOCLE CONFORMÉMENT AU MODE D'EMPLA AVANT D'UTILISER LE PRODUIT. TOUJOURS MONTER LA SCIE DE MANIÈRE À CE QU'ELLE SOIT AUSSI AVANCÉE QUE POSSIBLE. OUVRIRE COMPLÈTEMENT LE SOCLE AVANT D'UTILISER LE PRODUIT. CHARGE MAXIMALE - 227 KG (500 LB). NE PAS GRIMPER, S'ASSÉOIR OU SE TENIR SUR LE SOCLE DE LA SCIE. NE PAS UTILISER LE SUPPORT SUR UNE SURFACE INÉGALE, INSTABLE OU GLISSANTE.

**DWX724 COMPACT MITER SAW STAND**

**⚠️WARNING** READ INSTRUCTIONS BEFORE USE. FOR USE WITH MITER SAWS, FASTEN TOOL TO MOUNTING BRACKETS AND TO STAND PER INSTRUCTION LITERATURE BEFORE USE. ALWAYS MOUNT SAW AS FAR FORWARD AS POSSIBLE, OPEN STAND FULLY BEFORE USE. MAXIMUM LOAD - 500 LBS. (227KG). DO NOT CLIMB, SIT OR STAND ON SAW STAND. DO NOT USE STAND ON UNEVEN, UNSTABLE OR SLIPPERY SURFACE.

DEWALT INDUSTRIAL TOOL CO., BALTIMORE, MD 21286 U.S.A.  
FOR SERVICE INFORMATION, CALL 1-800-4-DEWALT www.DEWALT.com

**FRONT**

**⚠️WARNING** MITER SAW MOUNTING BRACKET DW7231  
ALWAYS MOUNT SAW AS FAR FORWARD AS POSSIBLE. READ INSTRUCTIONS BEFORE USE. FOR USE WITH DEWALT MITER SAW STANDS. FASTEN MITER SAW SECURELY TO MOUNTING BRACKETS AND TO STAND PER INSTRUCTION LITERATURE. OPEN LEGS OF STAND FULLY BEFORE USE. ENSURE LOAD IS DIRECTLY OVER STAND BEAM. DO NOT CLIMB, SIT OR STAND ON SAW STAND. DO NOT USE STAND ON UNEVEN, UNSTABLE OR SLIPPERY SURFACE.

**⚠️ADVERTENCIA** SIEMPRE MONTE LA SIERRA TAN ADELANTE COMO SEA POSIBLE. LEA LAS INSTRUCCIONES ANTES DE UTILIZARLA. A UTILIZAR CON SOPORTES PARA SIERRA DE INGLET DEWALT. SIGUE LA SIERRA DE INGLETE A LOS SOPORTES DE MONTAJE Y AL SOPORTE DE ACUERDO CON EL INSTRUCTIVO. ABRIE COMPLETAMENTE LAS PATAS DE LOS SOPORTES ANTES DE UTILIZAR. ASEGURE QUE LA CARGA ESTÉ COLUCADA DIRECTAMENTE SOBRE LA VIGA DE LOS SOPORTES. NO SUBIRSE, SENTARSE O PARARSE SOBRE EL SOPORTE DE LA SIERRA. NO UTILICE EL SOPORTE SOBRE UNA SUPERFICIE IRREGULAR, INESTABLE O RESBALOSA.

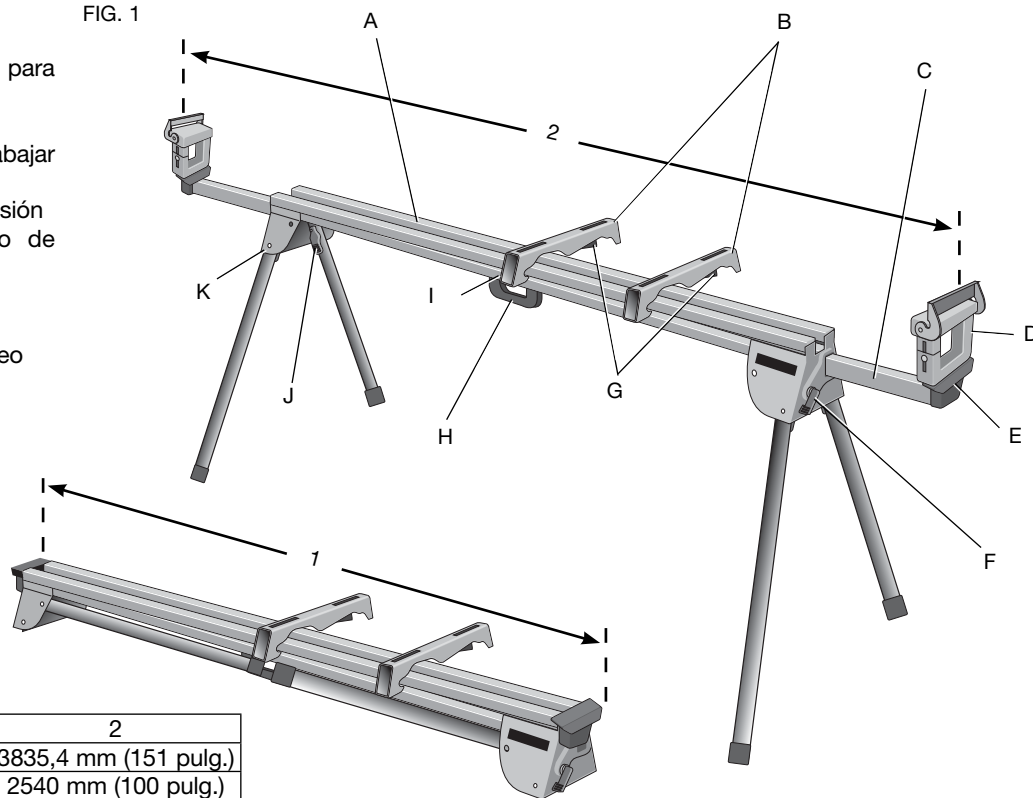
**⚠️AVERTISSEMENT** TOUJOURS MONTER UNE SCIE DE MANIÈRE À CE QU'ELLE SOIT AUSSI AVANCÉE QUE POSSIBLE. LIRE LES INSTRUCTIONS DE LA DOCUMENTATION AVANT D'UTILISER LE PRODUIT. A UTILISER AVEC LES SUPPORTS DE SCIE À ONGLET DEWALT. ARRIMER SÈREMENT LA SCIE À ONGLET AUX DISPOSITIFS DE FIXATION ET À L'ÉTABLI CONFORMÉMENT AUX INSTRUCTIONS DE LA DOCUMENTATION. OUVRIR COMPLÈTEMENT LES PATTES DU SOCLE AVANT D'UTILISER LE PRODUIT. VÉRIFIER À CE QUE LA CARGA SOIT POSÉE DIRECTEMENT SUR LE LONGERON DU SUPPORT. NE PAS GRIMPER, S'ASSÉOIR OU SE TENIR DEBOUT SUR LE SOCLE DE LA SCIE. NE PAS UTILISER LE SUPPORT SUR UNE SURFACE INÉGALE, INSTABLE OU GLISSANTE.

## DWX723/DWX724 Soportes para ingleteadora

### Lista de componentes

- A. Viga
- B. DW7231 Soportes de montaje para ingleteadora
- C. Brazo de extensión
- D. DW7232 Soporte para pieza a trabajar y tope de longitud
- E. Tapa superior del brazo de extensión
- F. Palanca de bloqueo del brazo de extensión
- G. Palancas de liberación
- H. Asa
- I. Gancho para ubicación de bloqueo
- J. Palanca de seguro para la pata
- K. Botón de destrabado

FIG. 1



	1	2
DWX723	1765,3 mm (69,5 pulg.)	3835,4 mm (151 pulg.)
DWX724	1092,2 mm (43 pulg.)	2540 mm (100 pulg.)

**Español**

**Definiciones: Normas de seguridad**

Las siguientes definiciones describen el nivel de gravedad de cada palabra de señal. Lea el manual y preste atención a estos símbolos.

**⚠PELIGRO:** Indica una situación de peligro inminente que, si no se evita, **provocará** la muerte o **lesiones graves**.

**⚠ADVERTENCIA:** Indica una situación de peligro potencial que, si no se evita, **podría** provocar **la muerte o lesiones graves**.

**⚠ATENCIÓN:** Indica una situación de peligro potencial que, si no se evita, **posiblemente** provocaría **lesiones leves o moderadas**.

**AVISO:** Se refiere a una práctica **no relacionada a lesiones corporales** que de no evitarse **puede** resultar en **daños a la propiedad**.

SI TIENE ALGUNA DUDA O ALGÚN COMENTARIO SOBRE ÉSTA U OTRA HERRAMIENTA DEWALT, LLÁMENOS AL NÚMERO GRATUITO: 1-800-4-DEWALT (1-800-433-9258)

**Base para ingleteadora DWX723/DWX724**

Esta base está diseñada para usarse con la mayoría de las ingleteadoras. Si tiene algún problema con la alineación o el montaje, llame al 1-800-4-DEWALT.

**⚠ ADVERTENCIA :** Para su seguridad, lea el manual de instrucciones de la ingleteadora antes de utilizar cualquier accesorio. De no seguir estas advertencias podrían producirse lesiones corporales y graves daños a la ingleteadora y al accesorio. Cuando realice el mantenimiento de esta herramienta, utilice únicamente repuestos originales.

**Contenido de la caja**

- 1 Soporte para ingleteadora (DWX723 ó DWX724)
- 2 Soportes de montaje para Ingleteadora (DW7231)
- 2 Soporte para pieza a trabajar y topes de longitud (DW7232)
- 1 Bolsa de accesorios de montaje

**Herramientas requeridas**

- Taladro con una broca de 9,5 mm (3/8 pulg.) (No es necesario con las ingleteadoras de DEWALT)
- Destornillador con cabeza de estrella #2
- Llave de 13 mm (1/2 pulg.)

**Componentes (Fig. 1)**

**⚠ADVERTENCIA:** Nunca modifique el soporte, ni tampoco ninguna de sus partes. Podría producir lesiones corporales o daños. Remítase a la Figura 1 para obtener la Lista de componentes.

**Instrucciones de seguridad generales para soportes para ingleteadora**

- ⚠ ADVERTENCIA:** Para reducir el riesgo de lesión personal:
- **SIEMPRE use protección ocular.** Todos los usuarios y transeúntes deben de usar protección ocular conforme a ANSI Z87.1.

- **SIEMPRE** verifique la estabilidad del soporte de la ingleteadora y de la ingleteadora sujeta al mismo antes de utilizar el soporte o la sierra.
- **NO** monte ninguna herramienta eléctrica distinta de una ingleteadora sobre este soporte. El montaje de otros herramientas eléctricas sobre este soporte podría tener como consecuencia lesiones corporales graves.
- **NO** exceda el peso que el pie puede aguantar. La viga central principal de la ingleteadora ha sido diseñada para aguantar 227 kg (500 lbs.) sin peligro alguno.
- Siga detenidamente las instrucciones de montaje. Sujete bien la ingleteadora a los soportes de montaje de la sierra, como se indica.
- **NO** modifique la base ni la utilice para otras tareas que no sean aquéllas para la que fue diseñada.
- **NO** utilice la base sobre superficies desniveladas. La base fue diseñada para utilizarse sobre una superficie plana y estable.
- **NO** lo use sobre una superficie resbalosa. La capacidad de carga del soporte se reduce considerablemente cuando se usa sobre superficies resbalosas.

### Preparación (Fig. 2)

1. Coloque el soporte de la ingleteadora sobre el piso con las patas dobladas mirando hacia abajo.
2. Presione la palanca de seguro para la pata (J) o el botón de liberación (K) y tire de la pata hacia arriba hasta que el pasador de seguridad haga clic en su lugar. Repita para cada pata.

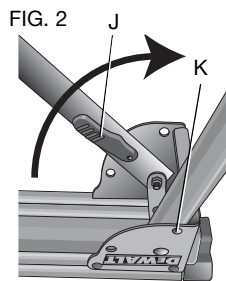


FIG. 2

3. Levante el soporte por la viga central y colóquelo en una posición vertical. El soporte debería quedar estable y no se debería mover.

**NOTA:** Asegúrese que todos los pasadores de seguridad estén encajados y que todas las piernas estén aseguradas en su lugar.

### ENSAMBLAJE

#### DW7232 Soporte para pieza a trabajar y topes de longitud (Fig. 3-4)

- a. El soporte para el trabajo/tope (D) tiene una abrazadera (L) para asegurar la viga y evitar que su material la derribe. La perilla (M) puede ser bloqueada girándola en sentido horario y se puede reposicionar libremente el soporte/tope del trabajo cuando se gira la perilla en sentido antihorario. No apriete excesivamente; la presión firme sobre la perilla mantendrá el tope en su lugar.
- b. Ajuste la altura del soporte/tope del trabajo (D) aflojando las perillas a ambos lados (N) y levantando o bajando la superficie superior para alinear con un borde recto o nivel con respecto a la mesa de la sierra. Apriete las perillas.

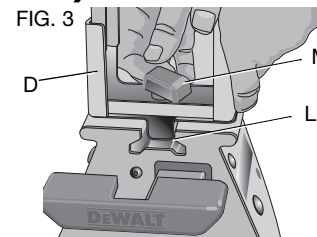
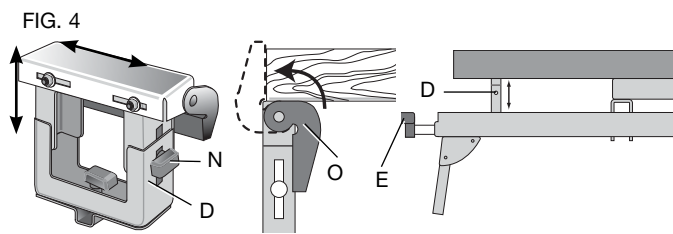


FIG. 3

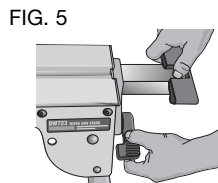
**NOTA:** Si el ajuste de altura del soporte del trabajo se desliza hacia abajo cuando está bajo carga, se ha excedido el límite de peso del soporte del trabajo. Este límite de peso se ve limitado por la tirantez de las perillas de ajuste de altura. No apriete más de lo que sea posible con los dedos.



- c. El soporte/tope del trabajo (D) también puede ser instalado en la tapa superior (E) al extremo de los brazos de extensión.
- d. El tope de longitud (O) puede ser girado para servir como un tope de longitud o para sujetar el extremo de piezas a trabajar largas.

### **Brazo de extensión de longitud ajustable (Fig. 5)**

Para alargar la superficie de soporte, gire la palanca de bloqueo del brazo de extensión en sentido antihorario para liberar el brazo de extensión extensible. Tire del brazo de extensión extensible hasta la longitud deseada. Para bloquear gire la palanca de bloqueo del brazo de extensión en sentido horario.



### **Método de montaje para ingleteadora DEWALT DW7231 (Fig. 6, 7)**

**⚠ADVERTENCIA:** Para reducir el riesgo de lesión, apague la unidad, desconecte la máquina de la fuente de corriente antes de ensamblar la ingleteadora al pie de la ingleteadora. Puede lastimarse si la unidad se prende accidentalmente.

**⚠ADVERTENCIA:** Peligro de inestabilidad. Usted debe utilizar el **Método de montaje para ingleteadora universal** al montar una ingleteadora no fabricada por DEWALT sobre este soporte de la ingleteadora.

**⚠ADVERTENCIA:** Para reducir el riesgo de lesión, asegúrese que la ingleteadora ha sido completamente anclada al pie.

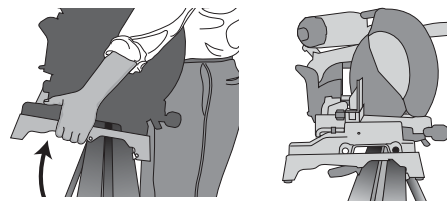
**⚠ADVERTENCIA:** Para su seguridad, lea y comprenda el manual de instrucciones de la ingleteadora antes de utilizarla. El no respetar estas advertencias puede resultar en lesiones corporales y daños serios a la ingleteadora y al accesorio.

1. Coloque la sierra en la posición de funcionamiento con la hoja orientada hacia usted. Alinéela con la etiqueta sobre el soporte de montaje hacia el frente.
2. Coloque un espaciador, como un 2 x 4, debajo de un lado de la ingleteadora para sujetar el pie del soporte de la sierra sobre la superficie de trabajo.
3. Sujete un soporte de montaje debajo de la sierra e introduzca un tallo de tornillo (bolsa de ferretería) a través del soporte y el pie de la sierra.

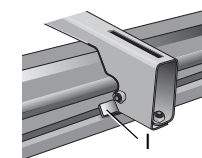
**NOTA:** Refiérase al DW7231 Gráfico para selección de accesorios de montaje para obtener los procedimientos correctos para los accesorios de montaje para sierras de inglete DEWALT. Siga todas las instrucciones en forma apropiada, de lo contrario puede quedar obstruida la rotación de la ingleteadora.

DW7231 GRÁFICO PARA SELECCIÓN DE ACCESORIOS DE MONTAJE		
	Lado izquierdo	Lado derecho
DW703	1	1
DW705	1	1
DW706	1	1
DW708	1	2
DW712	1	2
DW713	1	1
DW715	1	1
DW716	1	1
DW717	2	1
DW718	3	2
	1 = Tornillo largo, cabeza hacia abajo	
	2 = Tornillo corto, cabeza hacia abajo	
	3 = Tornillo largo, cabeza hacia arriba	

- Una vez se ha instalado el perno de carrocería (bolsa de accesorios de montaje) de acuerdo con el **DW7231 Gráfico para selección de accesorios de montaje** coloque una arandela plana, una arandela de presión y una tuerca sobre el perno. Apriete los pernos con los dedos.
- Desplace el 2 x 4 al otro lado de la sierra para sujetar el otro lado de la sierra hacia arriba para acceder a la base de la sierra.
- Introduzca los tallos de tornillos a través del otro soporte y la base de la sierra como previamente. Asegúrese que los dos soportes se ubiquen en posición paralela.
- Para colocar la sierra sobre el pie, agarre y levante la sierra del ensamblaje del soporte de montaje al lado de las palancas de liberación. Estas palancas no fijan la sierra lateralmente en su lugar, sino que ofrecen una manera de montar la sierra a la viga.



- Acerque la viga al ensamblaje de la sierra/ pie inclinándola ligeramente hacia usted. Active el borde delantero cóncavo del soporte de montaje con el borde redondeado de la viga. Uno de los soportes debe de activar la pinza de seguridad del localizador (I) para impedir el movimiento lateral de la sierra cuando utilice la sierra.



**Español**

10. Cuando el borde delantero de la viga y la pinza de seguridad del localizador han sido activados, un giro ligeramente hacia abajo permite de activar las palancas traseras con la parte trasera de la viga. Mece la sierra con cuidado sobre los soportes para asegurarse que ha sido fijada correctamente.
11. Ajuste la posición de la sierra según sea necesario para que la hoja se encuentre perpendicular a la viga cuando esté en la posición de inglete de 0 grados.
12. Apriete las cuatro tuercas sujetando la sierra firmemente sobre los soportes.

### **DW7231 Método de montaje para ingleteadora (Fig. 1, 7-9)**

**⚠ADVERTENCIA:** Para reducir el riesgo de lesión, apague la unidad, desconecte la máquina de la fuente de energía antes de montar la ingleteadora sobre el soporte para ingleteadora. Un arranque accidental puede causar lesiones.

**⚠ADVERTENCIA:** Peligro de inestabilidad. Usted debe utilizar el método de montaje con madera contrachapada descrito en las siguientes instrucciones al montar una ingleteadora no fabricada por DEWALT sobre este soporte de la ingleteadora.

**⚠ADVERTENCIA:** Para reducir el riesgo de lesiones corporales, cerciórese de que la ingleteadora esté completamente anclada sobre el soporte.

**⚠ADVERTENCIA:** Para su propia seguridad, lea y entienda el manual de instrucciones de la sierra ingleteadora antes de utilizarla. De no seguir estas advertencias podrían producirse lesiones corporales y graves daños a la sierra ingleteadora y al accesorio.

**NOTA:** Si usted no dispone de una ingleteadora DEWALT debe utilizar madera contrachapada de 19 mm (3/4 pulg.) para montar su ingleteadora.

La madera contrachapada debe ser como mínimo 101,6 mm (4 pulg.) más ancha que la máxima anchura de la base de la ingleteadora. La madera contrachapada debería ser al menos tan profunda como la menor profundidad de la base de la ingleteadora o un mínimo de 406,4 mm (16 pulg.) si la base de la ingleteadora es más pequeña. Asegúrese de que la madera contrachapada esté a escuadra.

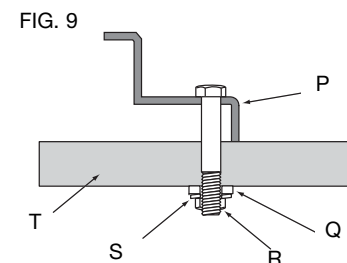
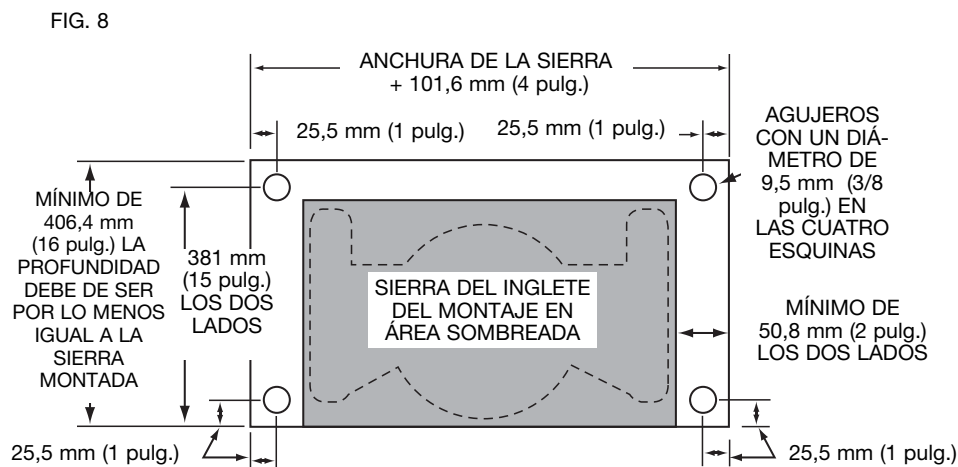
1. Una vez se ha determinado el tamaño de la madera contrachapada, taladre orificios de 9,5 mm (3/8 pulg.) a 25,5 mm (1 pulg.) de las esquinas frontales de la madera contrachapada, separados 355 mm (15 pulg.) y a 25,5 mm (1 pulg.) de los lados.
2. Coloque los soportes de montaje DW7231 sobre el soporte:
  - a. Agarre y apriete las palancas de liberación (G).
  - b. Enganche el labio frontal cóncavo del soporte de montaje con el borde frontal redondeado de la viga. Uno de los soportes de montaje debe estar engranado en el gancho para ubicación (I) a fin de impedir el movimiento lateral de la sierra durante el uso.
3. Cuando el borde delantero de la viga y el gancho para ubicación estén encastrados, un leve pivote hacia abajo permitirá el enganche firme de las palancas de liberación a la parte posterior de la viga. Siga el mismo procedimiento con el segundo soporte de montaje en la posición sobre la viga adecuada para el tamaño de la madera contrachapada.
4. Coloque la madera contrachapada sobre los soportes de montaje y alinee los orificios taladrados con las ranuras en los soportes de montaje. Refiérase al **DW7231 Gráfico para selección de accesorios de montaje** y utilice cualquiera de los métodos 1 ó 2 para asegurar la madera contrachapada a los soportes de montaje.



5. Utilice la llave de 13 mm (1/2 pulg.) para apretar los accesorios de montaje.
6. La ingleteadora debería montarse sobre madera contrachapada utilizando los orificios en la base de la ingleteadora. El tamaño de los accesorios de montaje estará determinado por los orificios en la base de la ingleteadora. Los accesorios de montaje deberían ser 31,8 mm (1-1/4 pulg.) más largos que la altura máxima de la base de la ingleteadora en cada ubicación de montaje.
  - a. Transfiera la ubicación de los orificios de montaje desde la base de la ingleteadora a la madera contrachapada.

- b. Perfore los orificios de acuerdo con el tamaño de los accesorios de montaje escogidos. **NOTA:** Se deben comprar los accesorios de montaje para montar la ingleteadora sobre el contrachapado. Todos los accesorios de montaje que utilice deberán ser como mínimo Grado 5 ó Clase 8.8.
- c. Asegure la ingleteadora a la madera contrachapada como lo muestra la Figura 9. Base para la sierra (P), madera contrachapada de 19 mm (3/4 pulg.) (T), arandela plana (Q), arandela de presión (S) y tuerca (R).
 

**NOTA:** Cerciórese de utilizar una arandela plana (Q) entre la madera contrachapada (T) y la arandela de presión (S).
- d. Apriete todos los accesorios de montaje.



Español

### **Correa para transporte**

Si compra el accesorio de correa para transporte para soportes DEWALT, utilice el orificio cuadrado en el extremo metálico para montar el accesorio.

### **Pinza de seguridad del localizador (Fig. 1)**

La pinza de seguridad del localizador (I) impide que la sierra se deslice a izquierda o derecha durante las operaciones de corte. Para mover la pinza, retire el montaje de sierra/soportes, afloje el tornillos del centro de la pinza, deslícela hacia la posición que desee y apriete el tornillos. Ahora podrá colocar el montaje de sierra/soportes en la nueva posición.

### **Para retirar la sierra**

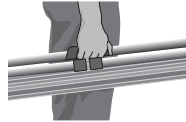
Una vez que la ingleteadora queda sujeta a los soportes, puede ser removida agarrando las palancas de liberación, tirando hacia arriba un poco para superar la viga y se puede poner hacia abajo sobre los pies que no marcan para el transporte o la limpieza.

### **Asa (Fig. 10)**

Se suministra una agarradera para transportar el soporte de la ingleteadora al y desde el sitio de trabajo.

**⚠ADVERTENCIA:** Para reducir el riesgo de lesión corporal, **NO** intente almacenar o transportar el soporte con la sierra sujeta al mismo. Como resultado se puede perder el control.

FIG. 10



### **Accesorios**

**⚠ADVERTENCIA:** Como otros accesorios distintos a los ofrecidos por DEWALT no han sido probados con este producto, el uso de tales accesorios con esta herramienta podría ser peligroso. Para reducir el riesgo de lesión, no de lugar a condiciones de inestabilidad y utilice solamente con soportes para ingleteadora DEWALT.

#### **PRODUCTOS COMPATIBLES**

- DW7231 - Soportes de montaje para ingleteadora
- DW7232 - Soporte para pieza a trabajar y topes de longitud
- DW7029 - Soporte ancho para pieza a trabajar y topes de longitud
- DW7027 - Soporte para la pieza a trabajar de rodillo
- DW7028 - Soporte de extensión
- DW7026 - Correa para transporte

Los accesorios que se recomiendan para la herramienta están disponibles para la compra en su distribuidor local o en el centro de mantenimiento autorizado. Si necesita ayuda para localizar algún accesorio para su herramienta, comuníquese con DEWALT Industrial Tool Co., 701 East Joppa Road, Baltimore, MD 21286, llame al 1-800-4-DEWALT (1-800-433-9258) o visite nuestro sitio Web [www.dewalt.com](http://www.dewalt.com).

### **Reparaciones**

Para garantizar la SEGURIDAD y la CONFIABILIDAD, deberán hacerse reparaciones, mantenimiento y ajustes de esta herramienta en los centros autorizados de servicio DEWALT u otras organizaciones autorizadas. Estas organizaciones prestan servicio a las herramientas DEWALT y emplean siempre refacciones legítimas DEWALT.

**PARA REPARACIÓN Y SERVICIO DE SUS HERRAMIENTAS  
ELÉCTRICAS, FAVOR DE DIRIGIRSE AL  
CENTRO DE SERVICIO MÁS CERCANO**

**CULIACAN, SIN**

Blvd. Emiliano Zapata 5400-1 Poniente  
Col. San Rafael (667) 717 89 99

**GUADALAJARA, JAL**

Av. La Paz #1779 - Col. Americana Sector Juárez (33) 3825 6978

**MEXICO, D.F.**

Eje Central Lázaro Cárdenas No. 18  
Local D, Col. Obrera (55) 5588 9377

**MERIDA, YUC**

Calle 63 #459-A - Col. Centro (999) 928 5038

**MONTERREY, N.L.**

Av. Francisco I. Madero 831 Poniente - Col. Centro (818) 375 23 13

**PUEBLA, PUE**

17 Norte #205 - Col. Centro (222) 246 3714

**QUERETARO, QRO**

Av. San Roque 274 - Col. San Gregorio (442) 2 17 63 14

**SAN LUIS POTOSI, SLP**

Av. Universidad 1525 - Col. San Luis (444) 814 2383

**TORREON, COAH**

Blvd. Independencia, 96 Pte. - Col. Centro (871) 716 5265

**VERACRUZ, VER**

Prolongación Díaz Mirón #4280 - Col. Remes (229) 921 7016

**VILLAHERMOSA, TAB**

Constitución 516-A - Col. Centro (993) 312 5111

**PARA OTRAS LOCALIDADES:**

**Si se encuentra en México, por favor llame al (55) 5326 7100**

**Si se encuentra en U.S., por favor llame al**

**1-800-433-9258 (1-800 4-DEWALT)**

***Póliza de Garantía***

**IDENTIFICACIÓN DEL PRODUCTO:**

Sello o firma del Distribuidor.

Nombre del producto: \_\_\_\_\_ Mod./Cat.: \_\_\_\_\_

Marca: \_\_\_\_\_ Núm. de serie: \_\_\_\_\_

(Datos para ser llenados por el distribuidor)

Fecha de compra y/o entrega del producto: \_\_\_\_\_

Nombre y domicilio del distribuidor donde se adquirió el producto:

Este producto está garantizado por un año a partir de la fecha de entrega, contra cualquier defecto en su funcionamiento, así como en materiales y mano de obra empleados para su fabricación. Nuestra garantía incluye la reparación o reposición del producto y/o componentes sin cargo alguno para el cliente, incluyendo mano de obra, así como los gastos de transportación razonablemente erogados derivados del cumplimiento de este certificado.

Para hacer efectiva esta garantía deberá presentar su herramienta y esta póliza sellada por el establecimiento comercial donde se adquirió el producto, de no contar con ésta, bastará la factura de compra.

**EXCEPCIONES.**

Esta garantía no será válida en los siguientes casos:

- Cuando el producto se hubiese utilizado en condiciones distintas a las normales;
- Cuando el producto no hubiese sido operado de acuerdo con el instructivo de uso que se acompaña;
- Cuando el producto hubiese sido alterado o reparado por personas distintas a las enlistadas al final de este certificado.

Anexo encontrará una relación de sucursales de servicio de fábrica, centros de servicio autorizados y franquiciados en la República Mexicana, donde podrá hacer efectiva su garantía y adquirir partes, refacciones y accesorios originales.

### **Garantía limitada de tres años**

DEWALT reparará sin cargo cualquier defecto ocasionado por materiales defectuosos o mano de obra, durante tres años a partir de la fecha de compra. Esta garantía no cubre fallas en las piezas que resulten del desgaste normal de la herramienta o de su utilización inadecuada. Para obtener información detallada sobre la cobertura de la garantía y sobre reparaciones, visite nuestra página Web [www.dewalt.com](http://www.dewalt.com) o llame al 1-800-4-DEWALT (1-800-433-9258). Esta garantía no se extiende a los accesorios o a los daños causados por terceros al intentar realizar reparaciones. Esta garantía le concede derechos legales específicos; usted goza también de otros derechos que varían según el estado o provincia.

Además de la garantía, las herramientas DEWALT están cubiertas por nuestro:

#### **SERVICIO GRATUITO DE 1 AÑO**

DEWALT realizará el mantenimiento de la herramienta y reemplazará las piezas gastadas tras el uso normal, sin costo alguno, en cualquier momento durante el primer año después de la compra.

#### **GARANTÍA DE REEMBOLSO DE DINERO DE 90 DÍAS**

Si por alguna razón no estuviera plenamente satisfecho con el rendimiento de la herramienta eléctrica, el láser o la clavadora DEWALT, puede devolver el producto dentro de los 90 días siguientes a la fecha de compra acompañado del recibo de compra. De esta manera, se le reintegrará el importe total del producto sin formularle pregunta alguna.

**AMÉRICA LATINA:** Esta garantía no se aplica a los productos que se venden en América Latina. Para los productos que se venden en América Latina, debe consultar la información de la garantía específica del país que viene en el empaque, llamar a la compañía local o visitar el sitio Web a fin de obtener esa información.

**REEMPLAZO GRATUITO DE LAS ETIQUETAS DE ADVERTENCIA:** si sus etiquetas de advertencia se tornan ilegibles o faltan, llame al 1-800-4-DEWALT (1-800-433-9258) para que se las reemplacen gratuitamente.

**DWX723 HEAVY DUTY MITER SAW STAND**

**⚠️WARNING** READ INSTRUCTIONS BEFORE USE. FOR USE WITH MITER SAWS, FASTEN TOOL TO MOUNTING BRACKETS AND TO STAND PER INSTRUCTION LITERATURE BEFORE USE. ALWAYS MOUNT SAW AS FAR FORWARD AS POSSIBLE. OPEN STAND FULLY BEFORE USE. MAXIMUM LOAD - 500 LBS. (227KG). DO NOT CLIMB, SIT OR STAND ON SAW STAND. DO NOT USE STAND ON UNEVEN, UNSTABLE OR SLIPPERY SURFACE.

DEWALT INDUSTRIAL TOOL CO., BALTIMORE, MD 21286 U.S.A.  
FOR SERVICE INFORMATION, CALL 1-800-4-DEWALT www.DEWALT.com

**⚠️ADVERTENCIA** LEA LAS INSTRUCCIONES ANTES DE UTILIZAR. PARA UTILIZAR CON SIERRAS INGLETE/RODAS, ASEGURE LA HERRAMIENTA EN LOS SOPORTES DE MONTAJE Y A LA BASE DE ACUERDO CON LAS INSTRUCCIONES IMPRESAS ANTES DE UTILIZAR. MONTE SIEMPRE LA SIERRA TAN ADELANTADO COMO SEA POSIBLE. ABRA COMPLETAMENTE LA BASE ANTES DE UTILIZAR CARGA MÁXIMA - 500 LBS. (227KG). NO SE SUBA, SE SENTÉ NI SE PASE SOBRE LA BASE DE LA SIERRA. NO UTILICE EL SOPORTE SOBRE UNA SUPERFICIE IRREGULAR, INESTABLE O RESBALOSA.

**⚠️AVERTISSEMENT** LIRE LE MODE D'EMPLOI AVANT D'UTILISER LE PRODUIT. A UTILISER AVEC UNE SCIE À ONGLET, PRIER D'UTILISER AUX SUPPORTS DE FIXATION ET AU SOCLE CONFORMÉMENT AU MODE D'EMPLOI AVANT D'UTILISER LE PRODUIT. TOUJOURS MONTER LA SCIE DE MANIÈRE À CE QU'ELLE SOIT AUSSI AVANCÉE QUE POSSIBLE. OUVRIER COMPLÈTEMENT LE SOCLE AVANT D'UTILISER LE PRODUIT. CHARGE MAXIMALE - 227 KG (500 LB). NE PAS GRIMPER, S'ASSOIR OU SE TENIR SUR LE SOCLE DE LA SCIE. NE PAS UTILISER LE SUPPORT SUR UNE SURFACE INÉGALE, INSTABLE OU GLISSANTE.

**DWX724 COMPACT MITER SAW STAND**

**⚠️WARNING** READ INSTRUCTIONS BEFORE USE. FOR USE WITH MITER SAWS, FASTEN TOOL TO MOUNTING BRACKETS AND TO STAND PER INSTRUCTION LITERATURE BEFORE USE. ALWAYS MOUNT SAW AS FAR FORWARD AS POSSIBLE. OPEN STAND FULLY BEFORE USE. MAXIMUM LOAD - 500 LBS. (227KG). DO NOT CLIMB, SIT OR STAND ON SAW STAND. DO NOT USE STAND ON UNEVEN, UNSTABLE OR SLIPPERY SURFACE.

DEWALT INDUSTRIAL TOOL CO., BALTIMORE, MD 21286 U.S.A.  
FOR SERVICE INFORMATION, CALL 1-800-4-DEWALT www.DEWALT.com

**FRONT**

**⚠️WARNING** MITER SAW MOUNTING BRACKET DW7231 ALWAYS MOUNT SAW AS FAR FORWARD AS POSSIBLE. READ INSTRUCTIONS BEFORE USE. FOR USE WITH DEWALT MITER SAW STANDS. FASTEN MITER SAW SECURELY TO MOUNTING BRACKETS AND TO STAND PER INSTRUCTION LITERATURE. OPEN LEGS OF STAND FULLY BEFORE USE. ENSURE LOAD IS DIRECTLY OVER STAND BEAM. DO NOT CLIMB, SIT OR STAND ON SAW STAND. DO NOT USE STAND ON UNEVEN, UNSTABLE OR SLIPPERY SURFACE.

**⚠️ADVERTENCIA** SIEMPRE MONTE LA SIERRA TAN ADELANTADO COMO SEA POSIBLE. LEA LAS INSTRUCCIONES ANTES DE UTILIZARLA. A UTILIZAR CON SOPORTES PARA SIERRA DE INGLETE DEWALT, SUJETE LA SIERRA DE BIEN EN LOS SOPORTES DE MONTAJE Y AL SOPORTE DE ACUERDO CON EL INSTRUCTIVO. ABRA COMPLETAMENTE LAS PATAS DEL SOPORTE ANTES DE UTILIZAR. ASEGURESE QUE LA CARGA ESTE COLOCADA DIRECTAMENTE SOBRE LA VIGA DEL SOPORTE. NO GRIMPER, SENTARSE O PASARSE SOBRE EL SOPORTE DE LA SIERRA. NO UTILICE EL SOPORTE SOBRE UNA SUPERFICIE IRREGULAR, INESTABLE O RESBALOSA.

**⚠️AVERTISSEMENT** TOUJOURS MONTER UNE SCIE DE MANIÈRE À CE QU'ELLE SOIT AUSSI AVANCÉE QUE POSSIBLE. LIRE LE MODE D'EMPLOI AVANT D'UTILISER LE PRODUIT. A UTILISER AVEC LES SUPPORTS DE SCIE À ONGLET DEWALT. ARRIMER SERREMENT LA SCIE À ONGLET AUX DEPOSITÉS DE FIXATION ET À L'ÉTABLI CONFORMÉMENT AUX INSTRUCTIONS DE LA DOCUMENTATION. OUVRIER COMPLÈTEMENT LES PATTES DU SOCLE AVANT D'UTILISER LE PRODUIT. VÉRIFIER À CE QUE LA CHARGE SOIT POSÉE DIRECTEMENT SUR LE LONGERON DU SUPPORT. NE PAS GRIMPER, S'ASSOIR OU SE TENIR DEHORS SUR LE SOCLE DE LA SCIE. NE PAS UTILISER LE SUPPORT SUR UNE SURFACE INÉGALE, INSTABLE OU GLISSANTE.

SOLAMENTE PARA PROPÓSITO DE MÉXICO:  
IMPORTADO POR: DEWALT S.A. DE C.V.  
BOSQUES DE CIDROS, ACCESO RADIATAS NO.42  
3A. SECCIÓN DE BOSQUES DE LAS LOMAS  
DELEGACIÓN CUAJIMALPA,  
05120, MÉXICO, D.F.  
TEL. (52) 555-326-7100  
R.F.C.: BDE810626-1W7

Para servicio y ventas consulte  
"HERRAMIENTAS ELECTRICAS"  
en la sección amarilla.



**Español**





DEWALT Industrial Tool Co., 701 East Joppa Road, Baltimore, MD 21286 (SEP10) Part No. N084926 DWX723/DWX724  
Copyright © 2010 DEWALT

The following are trademarks for one or more DEWALT power tools: the yellow and black color scheme; the “D” shaped air intake grill; the array of pyramids on the handgrip; the kit box configuration; and the array of lozenge-shaped humps on the surface of the tool.