

DEWALT®



**Instruction Manual
Guide D'utilisation
Manual de instrucciones**

DCS369

20V Max* Compact Reciprocating Saw

Scie alternative compacte 20 V max*

Sierra Recíproca Compacta 20 V Máx*

[WWW.DEWALT.com](http://www.DEWALT.com)

**If you have questions or comments, contact us.
Pour toute question ou tout commentaire, nous contacter.
Si tiene dudas o comentarios, contáctenos.**

1-800-4-DEWALT

English (***original instructions***)

1

Français (*traduction de la notice d'instructions originale*)

13

Español (*traducido de las instrucciones originales*)

27

Definitions: Safety Alert Symbols and Words

This instruction manual uses the following safety alert symbols and words to alert you to hazardous situations and your risk of personal injury or property damage.



DANGER: Indicates an imminently hazardous situation which, if not avoided, **will** result in **death or serious injury**.



WARNING: Indicates a potentially hazardous situation which, if not avoided, **could** result in **death or serious injury**.



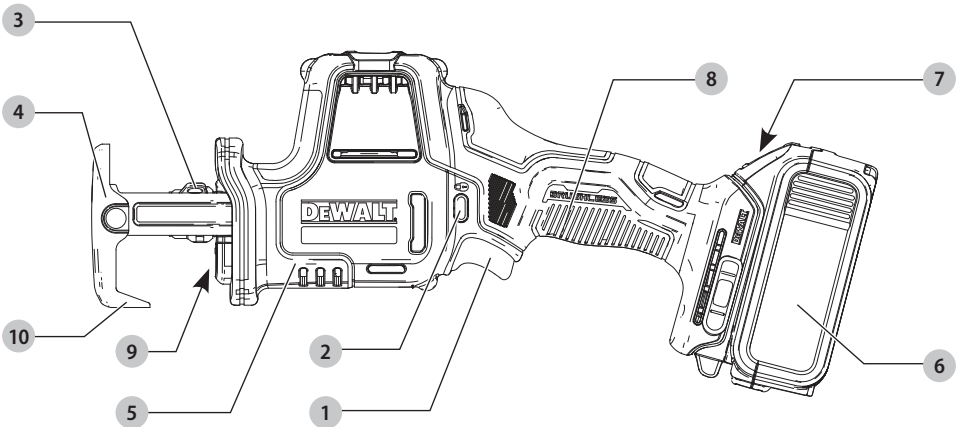
CAUTION: Indicates a potentially hazardous situation which, if not avoided, **may** result in **minor or moderate injury**.



(Used without word) Indicates a safety related message.

NOTICE: Indicates a practice **not related to personal injury** which, if not avoided, **may** result in **property damage**.

Fig. A



- 1 Variable speed trigger switch
- 2 Lock-off button
- 3 Blade clamp
- 4 Pivoting shoe
- 5 Hand grip
- 6 Battery pack
- 7 Battery release button
- 8 Main handle
- 9 Worklight
- 10 Hang cleat



WARNING: Read all safety warnings and all instructions. Failure to follow the warnings and instructions may result in electric shock, fire and/or serious injury.



WARNING: To reduce the risk of injury, read the instruction manual.

If you have any questions or comments about this or any product, call DEWALT toll free at: (1-800-433-9258).

20V Max* Compact Reciprocating Saw DCS369

GENERAL POWER TOOL SAFETY

WARNINGS



WARNING: Read all safety warnings, instructions, illustrations and specifications provided with this power tool. Failure to follow all instructions listed below may result in electric shock, fire and/or serious injury.

SAVE ALL WARNINGS AND INSTRUCTIONS FOR FUTURE REFERENCE.

The term "power tool" in the warnings refers to your mains-operated (corded) power tool or battery-operated (cordless) power tool.

1) Work Area Safety

- Keep work area clean and well lit.** Cluttered or dark areas invite accidents.
- Do not operate power tools in explosive atmospheres, such as in the presence of flammable liquids, gases or dust.** Power tools create sparks which may ignite the dust or fumes.
- Keep children and bystanders away while operating a power tool.** Distractions can cause you to lose control.

2) Electrical Safety

- Power tool plugs must match the outlet. Never modify the plug in any way. Do not use any adapter plugs with earthed (grounded) power tools.** Unmodified plugs and matching outlets will reduce risk of electric shock.
- Avoid body contact with earthed or grounded surfaces, such as pipes, radiators, ranges and refrigerators.** There is an increased risk of electric shock if your body is earthed or grounded.
- Do not expose power tools to rain or wet conditions.** Water entering a power tool will increase the risk of electric shock.
- Do not abuse the cord. Never use the cord for carrying, pulling or unplugging the power tool. Keep cord away from heat, oil, sharp edges or moving parts.** Damaged or entangled cords increase the risk of electric shock.
- When operating a power tool outdoors, use an extension cord suitable for outdoor use.** Use of a cord suitable for outdoor use reduces the risk of electric shock.
- If operating a power tool in a damp location is unavoidable, use a ground fault circuit interrupter (GFCI) protected supply.** Use of a GFCI reduces the risk of electric shock.

3) Personal Safety

- Stay alert, watch what you are doing and use common sense when operating a power tool. Do not use a power tool while you are tired or under**

the influence of drugs, alcohol or medication. A moment of inattention while operating power tools may result in serious personal injury.

- Use personal protective equipment. Always wear eye protection.** Protective equipment such as a dust mask, non-skid safety shoes, hard hat, or hearing protection used for appropriate conditions will reduce personal injuries.
- Prevent unintentional starting. Ensure the switch is in the off-position before connecting to power source and/or battery pack, picking up or carrying the tool.** Carrying power tools with your finger on the switch or energizing power tools that have the switch on invites accidents.
- Remove any adjusting key or wrench before turning the power tool on.** A wrench or a key left attached to a rotating part of the power tool may result in personal injury.
- Do not overreach. Keep proper footing and balance at all times.** This enables better control of the power tool in unexpected situations.
- Dress properly. Do not wear loose clothing or jewelry. Keep your hair, clothing and gloves away from moving parts.** Loose clothes, jewelry or long hair can be caught in moving parts.
- If devices are provided for the connection of dust extraction and collection facilities, ensure these are connected and properly used.** Use of dust collection can reduce dust-related hazards.
- Do not let familiarity gained from frequent use of tools allow you to become complacent and ignore tool safety principles.** A careless action can cause severe injury within a fraction of a second.

4) Power Tool Use and Care

- Do not force the power tool. Use the correct power tool for your application.** The correct power tool will do the job better and safer at the rate for which it was designed.
- Do not use the power tool if the switch does not turn it on and off.** Any power tool that cannot be controlled with the switch is dangerous and must be repaired.
- Disconnect the plug from the power source and/or remove the battery pack, if detachable, from the power tool before making any adjustments, changing accessories, or storing power tools.** Such preventive safety measures reduce the risk of starting the power tool accidentally.
- Store idle power tools out of the reach of children and do not allow persons unfamiliar with the power tool or these instructions to operate the power tool.** Power tools are dangerous in the hands of untrained users.
- Maintain power tools and accessories. Check for misalignment or binding of moving parts, breakage of parts and any other condition**

that may affect the power tool's operation. If damaged, have the power tool repaired before use. Many accidents are caused by poorly maintained power tools.

- f) **Keep cutting tools sharp and clean.** Properly maintained cutting tools with sharp cutting edges are less likely to bind and are easier to control.
- g) **Use the power tool, accessories and tool bits etc. in accordance with these instructions, taking into account the working conditions and the work to be performed.** Use of the power tool for operations different from those intended could result in a hazardous situation.
- h) **Keep handles and grasping surfaces dry, clean and free from oil and grease.** Slippery handles and grasping surfaces do not allow for safe handling and control of the tool in unexpected situations.

5) Battery Tool Use and Care

- a) **Recharge only with the charger specified by the manufacturer.** A charger that is suitable for one type of battery pack may create a risk of fire when used with another battery pack.
- b) **Use power tools only with specifically designated battery packs.** Use of any other battery packs may create a risk of injury and fire.
- c) **When battery pack is not in use, keep it away from other metal objects, like paper clips, coins, keys, nails, screws or other small metal objects, that can make a connection from one terminal to another.** Shorting the battery terminals together may cause burns or a fire.
- d) **Under abusive conditions, liquid may be ejected from the battery; avoid contact. If contact accidentally occurs, flush with water. If liquid contacts eyes, additionally seek medical help.** Liquid ejected from the battery may cause irritation or burns.
- e) **Do not use a battery pack or tool that is damaged or modified.** Damaged or modified batteries may exhibit unpredictable behavior resulting in fire, explosion or risk of injury.
- f) **Do not expose a battery pack or tool to fire or excessive temperature.** Exposure to fire or temperature above 265 °F (130 °C) may cause explosion.
- g) **Follow all charging instructions and do not charge the battery pack or tool outside the temperature range specified in the instructions.** Charging improperly or at temperatures outside the specified range may damage the battery and increase the risk of fire.

6) Service

- a) **Have your power tool serviced by a qualified repair person using only identical replacement parts.** This will ensure that the safety of the power tool is maintained.
- b) **Never service damaged battery packs.** Service of battery packs should only be performed by the manufacturer or authorized service providers.

Safety Instructions for Reciprocating Saws

- **Hold power tool by insulated gripping surfaces, when performing an operation where the cutting accessory may contact hidden wiring.** Cutting accessory contacting a "live" wire may make exposed metal parts of the power tool "live" and could give the operator an electric shock.
- **Use clamps or another practical way to secure and support the workpiece to a stable platform.** Holding the workpiece by hand or against your body leaves it unstable and may lead to loss of control.



WARNING: Do not operate this tool for long periods of time. Vibration caused by the operating action of this tool may cause permanent injury to fingers, hands, and arms. Use gloves to provide extra cushion, take frequent rest periods, and limit daily time of use.



WARNING: Inspect work area for hidden electrical wiring, gas pipes or water pipes before making blind or plunge cuts. Failure to do so may result in electrical shock, fire, explosion, or property damage.

- **Hold saw firmly with both hands for all cutting operations.** During cutting operations, the blade may suddenly bind in the work and may cause the saw to kickback towards the operator.
- **Keep hands away from cutting area.** Never reach underneath the material for any reason. Hold front of saw by grasping the contoured gripping area. Do not insert fingers or thumb into the vicinity of the reciprocating blade and blade clamp. Do not stabilize the saw by gripping the shoe.
- **Use extra caution when cutting overhead and pay particular attention to overhead wires which may be hidden from view.** Anticipate the path of falling branches and debris ahead of time.
- **When cutting pipe or conduit ensure that they are free from water, electrical wiring, etc.**

Additional Safety Information



WARNING: Never modify the power tool or any part of it. Damage or personal injury could result.



WARNING: ALWAYS use safety glasses. Everyday eyeglasses are NOT safety glasses. Also use face or dust mask if operation is dusty. ALL USERS AND BYSTANDERS MUST ALWAYS WEAR CERTIFIED SAFETY EQUIPMENT:

- ANSI Z87.1 eye protection (CAN/CSA Z94.3),
- ANSI S12.6 (S3.19) hearing protection,
- NIOSH/OSHA/MSHA respiratory protection.



WARNING: Some dust created by power sanding, sawing, grinding, drilling, and other construction activities contains chemicals known to the State of California to cause cancer, birth defects or other reproductive harm. Some examples of these chemicals are:

ENGLISH

- lead from lead-based paints,
- crystalline silica from bricks and cement and other masonry products, and
- arsenic and chromium from chemically-treated lumber.

Your risk from these exposures varies, depending on how often you do this type of work. To reduce your exposure to these chemicals: work in a well ventilated area, and work with approved safety equipment, such as those dust masks that are specially designed to filter out microscopic particles.

- **Avoid prolonged contact with dust from power sanding, sawing, grinding, drilling, and other construction activities. Wear protective clothing and wash exposed areas with soap and water.** Allowing dust to get into your mouth, eyes, or lay on the skin may promote absorption of harmful chemicals.



WARNING: Use of this tool can generate and/or disperse dust, which may cause serious and permanent respiratory or other injury. Always use NIOSH/OSHA approved respiratory protection appropriate for the dust exposure. Direct particles away from face and body.



WARNING: Always wear proper personal hearing protection that conforms to ANSI S12.6 (S3.19) during use. Under some conditions and duration of use, noise from this product may contribute to hearing loss.



CAUTION: When not in use, place tool on its side on a stable surface where it will not cause a tripping or falling hazard. Some tools with large battery packs will stand upright on the battery pack but may be easily knocked over.

- **Air vents often cover moving parts and should be avoided.** Loose clothes, jewelry or long hair can be caught in moving parts.

The label on your tool may include the following symbols. The symbols and their definitions are as follows:

V	volts	W	watts
Hz	hertz	~ or AC	alternating current
min	minutes	⎓ or AC/DC	alternating or direct current
— — — or DC	direct current	⊞	Class II Construction (double insulated)
⚠	Class I Construction (grounded)	⊞	Class II Construction (double insulated)
.../min	per minute	n ₀	no load speed
BPM	beats per minute	n	rated speed
IPM	impacts per minute	⊕	earthing terminal
RPM	revolutions per minute	⚠	safety alert symbol
sfpm	surface feet per minute	⚠	visible radiation
SPM	strokes per minute	⚠	avoid staring at light
OPM	oscillations per minute	⊞	wear respiratory protection
A	amperes		



wear eye protection



read all documentation



wear hearing protection



IPXX.....IP symbol

BATTERIES AND CHARGERS

The battery pack is not fully charged out of the carton. Before using the battery pack and charger, read the safety instructions below and then follow charging procedures outlined. When ordering replacement battery packs, be sure to include the catalog number and voltage.

READ ALL INSTRUCTIONS

Important Safety Instructions for All Battery Packs



WARNING: Read all safety warnings, instructions, and cautionary markings for the battery pack, charger and product. Failure to follow the warnings and instructions may result in electric shock, fire and/or serious injury.

- **Do not charge or use the battery pack in explosive atmospheres, such as in the presence of flammable liquids, gases or dust.** Inserting or removing the battery pack from the charger may ignite the dust or fumes.
- **When battery pack is not in use, keep it away from other metal objects, like paper clips, coins, keys, nails, screws, or other small metal objects, that can make a connection from one terminal to another.** Shorting the battery terminals together may cause burns or a fire.
- **NEVER force the battery pack into the charger. DO NOT modify the battery pack in any way to fit into a non-compatible charger as battery pack may rupture causing serious personal injury.** Consult the chart at the end of this manual for compatibility of batteries and chargers.
- Charge the battery packs only in DeWALT chargers.
- **DO NOT splash or immerse in water or other liquids.**
- **Do not store or use the tool and battery pack in locations where the temperature may reach or exceed 104 °F (40 °C) (such as outside sheds or metal buildings in summer).** For best life store battery packs in a cool, dry location.
NOTE: Do not store the battery packs in a tool with the trigger switch locked on. Never tape the trigger switch in the ON position.
- **Do not expose battery pack or tool/appliance to fire or excessive temperature.** Exposure to fire or temperature above 265 °F (130 °C) may cause explosion.
- **Do not incinerate the battery pack even if it is severely damaged or is completely worn out.** The battery pack can explode in a fire. Toxic fumes and materials are created when lithium-ion battery packs are burned.
- **If battery contents come into contact with the skin, immediately wash area with mild soap and water.** If

battery liquid gets into the eye, rinse water over the open eye for 15 minutes or until irritation ceases. If medical attention is needed, the battery electrolyte is composed of a mixture of liquid organic carbonates and lithium salts.

- **Contents of opened battery cells may cause respiratory irritation.** Provide fresh air. If symptoms persist, seek medical attention.



WARNING: Burn hazard. Battery liquid may be flammable if exposed to spark or flame.



WARNING: Fire hazard. Never attempt to open the battery pack for any reason. If the battery pack case is cracked or damaged, do not insert into the charger. Do not crush, drop or damage the battery pack. Do not use a battery pack or charger that has received a sharp blow, been dropped, run over or damaged in any way (e.g., pierced with a nail, hit with a hammer, stepped on). Damaged battery packs should be returned to the service center for recycling.

Storage Recommendations

1. The best storage place is one that is cool and dry, away from direct sunlight and excess heat or cold.
2. For long storage, it is recommended to store a fully charged battery pack in a cool dry place out of the charger for optimal results.

NOTE: Battery packs should not be stored completely depleted of charge. The battery pack will need to be recharged before use.

Battery Pack Cleaning Instructions

Dirt and grease may be removed from the exterior of the battery using a cloth or soft non-metallic brush. Do not use water or any cleaning solutions.

Fuel Gauge Battery Packs

Some DEWALT battery packs include a fuel gauge which consists of three green LED lights that indicate the level of charge remaining in the battery pack.

The fuel gauge is an indication of approximate levels of charge remaining in the battery pack according to the following indicators:



To actuate the fuel gauge, press and hold the fuel gauge button. A combination of the three green LED lights will illuminate designating the level of charge left. When the level of charge in the battery is below the usable limit, the fuel gauge will not illuminate and the battery will need to be recharged.

NOTE: The fuel gauge is only an indication of the charge left on the battery pack. It does not indicate tool functionality

and is subject to variation based on product components, temperature and end-user application.

For more information regarding fuel gauge battery packs, please contact 1-800-4-DEWALT (1-800-433-9258) or visit our website www.dewalt.com.

Transportation



WARNING: Fire hazard. Do not store or carry the battery pack so that metal objects can contact exposed battery terminals. For example, do not place the battery pack in aprons, pockets, tool boxes, product kit boxes, drawers, etc., with loose nails, screws, keys, etc. **Transporting batteries can possibly cause fires if the battery terminals inadvertently come in contact with conductive materials such as keys, coins, hand tools and the like.** The US Department of Transportation Hazardous Material Regulations (HMR) actually prohibit transporting batteries in commerce or on airplanes in carry-on baggage UNLESS they are properly protected from short circuits. So when transporting individual battery packs, make sure that the battery terminals are protected and well insulated from materials that could contact them and cause a short circuit. **NOTE:** Li-ion batteries should not be put in checked baggage.

The RBRC® Seal

The RBRC® (Rechargeable Battery Recycling Corporation) Seal on the nickel cadmium, nickel metal hydride or lithium-ion batteries (or battery packs) indicates that the costs to recycle these batteries (or battery packs) at the end of their useful life have already been paid by DEWALT. In some areas, it is illegal to place spent nickel cadmium, nickel metal hydride or lithium-ion batteries in the trash or municipal solid waste stream and the Call 2 Recycle® program provides an environmentally conscious alternative.

Call 2 Recycle, Inc., in cooperation with DEWALT and other battery users, has established the program in the United States and Canada to facilitate the collection of spent nickel cadmium, nickel metal hydride or lithium-ion batteries. Help protect our environment and conserve natural resources by returning the spent nickel cadmium, nickel metal hydride or lithium-ion batteries to an authorized DEWALT service center or to your local retailer for recycling. You may also contact your local recycling center for information on where to drop off the spent battery. RBRC® is a registered trademark of Call 2 Recycle, Inc.



Shipping the DEWALT FLEXVOLT™ Battery

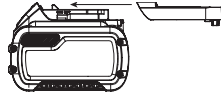
The DEWALT FLEXVOLT™ battery has two modes: **Use** and **Shipping**.

Use Mode: When the FLEXVOLT™ battery stands alone or is in a DEWALT 20V Max* product, it will operate as a 20V Max* battery. When the FLEXVOLT™ battery is in a 60V Max* or a

ENGLISH

120V Max* (two 60V Max* batteries) product, it will operate as a 60V Max* battery.

Shipping Mode: When the cap is attached to the FLEXVOLT™ battery, the battery is in Shipping Mode. Strings of cells are



electrically disconnected within the pack resulting in three batteries with a lower Watt hour (Wh) rating as compared to one battery with a higher Watt hour rating. This increased quantity of three batteries with the lower Watt hour rating can exempt the pack from certain shipping regulations that are imposed upon the higher Watt hour batteries.

The battery label indicates two Watt hour ratings (see example). Depending on how the battery is shipped, the appropriate Watt hour rating must be used to determine the applicable shipping requirements. If utilizing the shipping cap, the pack will be considered 3 batteries at the Watt hour rating indicated for "Shipping". If shipping without the cap or in a tool, the pack will be considered one battery at the Watt hour rating indicated next to "Use".

Example of Use and Shipping Label Marking

USE: 120 Wh Shipping: 3 x 40 Wh

For example, Shipping Wh rating might indicate 3 x 40 Wh, meaning 3 batteries of 40 Watt hours each. The Use Wh rating might indicate 120 Wh (1 battery implied).

Important Safety Instructions for All Battery Chargers



WARNING: Read all safety warnings, instructions, and cautionary markings for the battery pack, charger and product. Failure to follow the warnings and instructions may result in electric shock, fire and/or serious injury.

- **DO NOT attempt to charge the battery pack with any chargers other than a DEWALT charger.** DEWALT chargers and battery packs are specifically designed to work together.
- **These chargers are not intended for any uses other than charging DEWALT rechargeable batteries.** Any other uses may result in risk of fire, electric shock or electrocution.
- **Do not expose the charger to rain or snow.**
- **Pull by the plug rather than the cord when disconnecting the charger.** This will reduce the risk of damage to the electric plug and cord.
- **Make sure that the cord is located so that it will not be stepped on, tripped over or otherwise subjected to damage or stress.**
- **Do not use an extension cord unless it is absolutely necessary.** Use of improper extension cord could result in risk of fire, electric shock or electrocution.
- **When operating a charger outdoors, always provide a dry location and use an extension cord suitable for outdoor use.** Use of a cord suitable for outdoor use reduces the risk of electric shock.

- **An extension cord must have adequate wire size (AWG or American Wire Gauge) for safety.** The smaller the gauge number of the wire, the greater the capacity of the cable, that is, 16 gauge has more capacity than 18 gauge. An undersized cord will cause a drop in line voltage resulting in loss of power and overheating. When using more than one extension to make up the total length, be sure each individual extension contains at least the minimum wire size. The following table shows the correct size to use depending on cord length and nameplate ampere rating. If in doubt, use the next heavier gauge. The lower the gauge number, the heavier the cord.

Minimum Gauge for Cord Sets

Volts	Total Length of Cord in Feet (meters)				
	120V	25 (7.6)	50 (15.2)	100 (30.5)	150 (45.7)
240V	50 (15.2)	100 (30.5)	200 (61.0)	300 (91.4)	
Ampere Rating		American Wire Gauge			
More Than	Not More Than				
0	6	18	16	16	14
6	10	18	16	14	12
10	12	16	16	14	12
12	16	14	12	Not Recommended	

- **Do not place any object on top of the charger or place the charger on a soft surface that might block the ventilation slots and result in excessive internal heat.** Place the charger in a position away from any heat source. The charger is ventilated through slots in the top and the bottom of the housing.
- **Do not operate the charger with a damaged cord or plug—have them replaced immediately.**
- **Do not operate the charger if it has received a sharp blow, been dropped or otherwise damaged in any way.** Take it to an authorized service center.
- **Do not disassemble the charger; take it to an authorized service center when service or repair is required.** Incorrect reassembly may result in a risk of electric shock, electrocution or fire.
- **Disconnect the charger from the outlet before attempting any cleaning. This will reduce the risk of electric shock.** Removing the battery pack will not reduce this risk.
- **NEVER attempt to connect 2 chargers together.**
- **The charger is designed to operate on standard 120V household electrical power. Do not attempt to use it on any other voltage.** This does not apply to the vehicular charger.



WARNING: Shock hazard. Do not allow any liquid to get inside the charger. Electric shock may result.



WARNING: Burn hazard. Do not submerge the battery pack in any liquid or allow any liquid to enter the battery pack. Never attempt to open the battery pack for any reason. If the plastic housing of the battery pack breaks or cracks, return to a service center for recycling.

CAUTION: Burn hazard. To reduce the risk of injury, charge only DEWALT rechargeable battery packs. Other types of batteries may overheat and burst resulting in personal injury and property damage.







CAUTION: Under certain conditions, with the charger plugged into the power supply, the charger can be shorted by foreign material. Foreign materials of a conductive nature, such as, but not limited to, grinding dust, metal chips, steel wool, aluminum foil or any buildup of metallic particles should be kept away from the charger cavities. Always unplug the charger from the power supply when there is no battery pack in the cavity. Unplug the charger before attempting to clean.

Charging a Battery

NOTE: To ensure maximum performance and life of lithium-ion battery packs, charge the battery pack fully before first use.

1. Plug the charger into an appropriate outlet before inserting battery pack.
2. Connect the charger and battery pack, making sure the battery is fully seated. The (charging) light will blink continuously indicating that the charging process has started.
3. The completion of charge will be indicated by the light remaining ON continuously. The battery pack is fully charged and may be removed and used at this time or left in the charger.

NOTE: To remove the battery pack, some chargers require the battery pack release button to be pressed.

Indicators	
	Charging — — — — — 
	Fully Charged ————— 
	Hot/Cold Pack Delay* — — — — — ————— 

*DCB107, DCB112, DCB113, DCB115, DCB118, DCB132:

The red light will continue to blink, but a yellow indicator light will be illuminated during this operation. Once the battery pack has reached an appropriate temperature, the yellow light will turn off and the charger will resume the charging procedure.

A charger will not charge a faulty battery pack. The charger refusing to light could indicate a problem with the charger or a faulty battery pack.

NOTE: If the charger refuses to light, take the charger and battery pack to be tested at an authorized service center.

Leaving the Battery Pack In the Charger

The charger and battery pack can be left connected with the charge indicator showing pack charged.

Hot/Cold Pack Delay

When the charger detects a battery pack that is too hot or too cold, it automatically starts a Hot/Cold Pack Delay, suspending charging until the battery pack has reached an appropriate temperature. The charger then automatically

switches to the pack charging mode. This feature ensures maximum battery pack life.

A cold battery pack may charge at a slower rate than a warm battery pack.

The DCB118 charger is equipped with an internal fan designed to cool the battery pack. The fan will turn on automatically when the battery pack needs to be cooled. Never operate the charger if the fan does not operate properly or if ventilation slots are blocked. Do not permit foreign objects to enter the interior of the charger.

Electronic Protection System

Li-Ion tools are designed with an Electronic Protection System that will protect the battery pack against overloading, overheating or deep discharge.

The tool will automatically turn off if the Electronic Protection System engages. If this occurs, place the lithium-ion battery pack on the charger until it is fully charged.

Important Charging Notes

1. Longest life and best performance can be obtained if the battery pack is charged when the air temperature is between 65 °F – 75 °F (18 °C – 24 °C). DO NOT charge when the battery pack is below +40 °F (+4.5 °C), or above +104 °F (+40 °C). This is important and will prevent serious damage to the battery pack.
2. The charger and battery pack may become warm to the touch while charging. This is a normal condition, and does not indicate a problem. To facilitate the cooling of the battery pack after use, avoid placing the charger or battery pack in a warm environment such as in a metal shed or an uninsulated trailer.
3. If the battery pack does not charge properly:
 - a. Check operation of receptacle by plugging in a lamp or other appliance;
 - b. Check to see if receptacle is connected to a light switch which turns power off when you turn out the lights;
 - c. Move the charger and battery pack to a location where the surrounding air temperature is approximately 65 °F – 75 °F (18 °C – 24 °C);
 - d. If charging problems persist, take the tool, battery pack and charger to your local service center.
4. The battery pack should be recharged when it fails to produce sufficient power on jobs which were easily done previously. DO NOT CONTINUE to use under these conditions. Follow the charging procedure. You may also charge a partially used pack whenever you desire with no adverse effect on the battery pack.
5. Foreign materials of a conductive nature such as, but not limited to, grinding dust, metal chips, steel wool, aluminum foil, or any buildup of metallic particles should be kept away from charger cavities. Always unplug the charger from the power supply when there is no battery pack in the cavity. Unplug the charger before attempting to clean.
6. Do not freeze or immerse the charger in water or any other liquid.

Charger Cleaning Instructions

⚠ WARNING: Shock hazard. Disconnect the charger from the AC outlet before cleaning. Dirt and grease may be removed from the exterior of the charger using a cloth or soft non-metallic brush. Do not use water or any cleaning solutions.

Wall Mounting

DCB107, DCB112, DCB113, DCB115, DCB118, DCB132

These chargers are designed to be wall mountable or to sit upright on a table or work surface. If wall mounting, locate the charger within reach of an electrical outlet, and away from a corner or other obstructions which may impede air flow. Use the back of the charger as a template for the location of the mounting screws on the wall. Mount the charger securely using drywall screws (purchased separately) at least 1" (25.4 mm) long, with a screw head diameter of 0.28–0.35" (7–9 mm), screwed into wood to an optimal depth leaving approximately 7/32" (5.5 mm) of the screw exposed. Align the slots on the back of the charger with the exposed screws and fully engage them in the slots.

Intended Use

This reciprocating saw is designed for professional sawing applications.

DO NOT use under wet conditions or in presence of flammable liquids or gases.

This reciprocating saw is a professional power tool.

DO NOT let children come into contact with the tool.

Supervision is required when inexperienced operators use this tool.

ASSEMBLY AND ADJUSTMENTS

⚠ WARNING: To reduce the risk of serious personal injury, turn unit off and remove the battery pack before making any adjustments or removing/installing attachments or accessories. An accidental start-up can cause injury.

⚠ WARNING: Cut hazard. Turn off and remove battery from tool before making any adjustments or removing or installing attachments or accessories.

⚠ WARNING: Cut hazard. Blade breakage may occur if the blade does not extend past the adjustable shoe and the workpiece throughout the cut. Increased risk of personal injury, as well as damage to the adjustable shoe and workpiece may result.

Blade Installation and Removal (Fig. B)

Different blade lengths are available. Use the appropriate blade for the application. The blade should be longer than 3-1/2" (89 mm) and should extend past the shoe and the thickness of the workpiece throughout the cut. Do not use jigsaw blades with this tool.

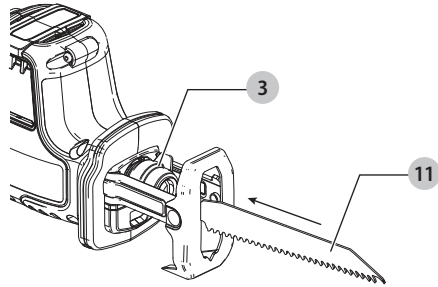
To Install Blade into Saw

1. Twist open the blade clamp **3** to its full open position.
2. Insert blade **11** fully into blade clamp.

3. Release blade clamp. Gently tug on the blade to ensure blade is clamped securely.

NOTE: Blade can be installed upside-down to assist in flush-to cutting.

Fig. B



To Remove Blade from Saw (Fig. B)

⚠ WARNING: Burn hazard. Do not touch the blade immediately after use. Contact with the blade may result in personal injury.

1. Twist open blade clamp **3** to its full open position.
2. Remove blade **11**.

Belt Hook (Fig. C)

⚠ WARNING: To reduce the risk of serious personal injury, ONLY use the tool's belt hook to hang the tool from a work belt. DO NOT use the belt hook for tethering or securing the tool to a person or object during use. DO NOT suspend tool overhead or suspend objects from the belt hook.

⚠ WARNING: To reduce the risk of serious personal injury, ensure the screw holding the belt hook is secure.

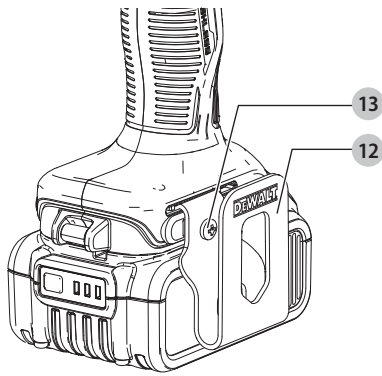
⚠ WARNING: Before hanging the tool from a work belt, ALWAYS remove the blade and ensure that the lock-off button is in the locked position to eliminate unintentional starting.

IMPORTANT: When attaching or replacing the belt hook **12**, use only the screw **13** that is provided. Be sure to securely tighten the screw.

The belt hook **12** can be attached to either side of the tool using only the screw **13** provided, to accommodate left- or right-handed users. If the belt hook is not desired at all, it can be removed from the tool.

To move the belt hook, remove the screw that holds it in place then reassemble on the opposite side. Be sure to securely tighten the screw.

Fig. C



OPERATION

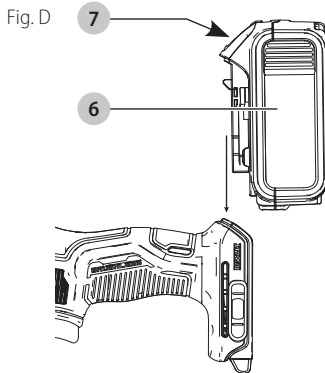
WARNING: To reduce the risk of serious personal injury, turn unit off and remove the battery pack before making any adjustments or removing/installing attachments or accessories. An accidental start-up can cause injury.

Installing and Removing the Battery Pack (Fig. D)

NOTE: For best results, make sure your battery pack is fully charged.

To install the battery pack **6** into the tool handle, align the battery pack with the rails inside the tool's handle and slide it into the handle until the battery pack is firmly seated in the tool and ensure that it does not disengage.

To remove the battery pack from the tool, press the release button **7** and firmly pull the battery pack out of the tool handle. Insert it into the charger as described in the charger section of this manual



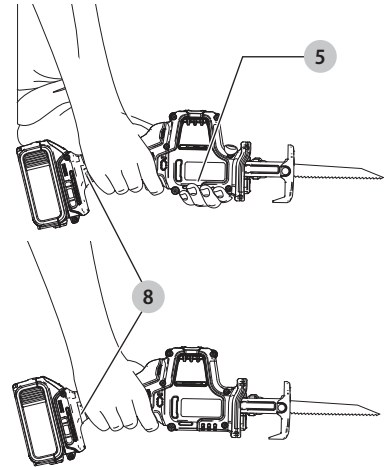
Proper Hand Position (Fig. E)

WARNING: To reduce the risk of serious personal injury, **ALWAYS** use proper hand position as shown.

WARNING: To reduce the risk of serious personal injury, **ALWAYS** hold securely in anticipation of a sudden reaction.

Proper hand position requires one hand on the main handle **8** and one hand the hand grip **5** or one hand on the main handle with the material being cut properly clamped.

Fig. E



Worklight (Fig. A)

CAUTION: Do not stare into worklight. Serious eye injury could result.

There is a worklight **9** located on the end of the tool near the shoe. The worklight is activated when the trigger switch is depressed, and will remain on for a short time after the trigger switch is released. If the trigger switch remains depressed, the worklight will remain on.

NOTE: The worklight is for lighting the immediate work surface and is not intended to be used as a flashlight.

Variable Speed Trigger Switch (Fig. A, F)

Lock-Off Button and Trigger Switch

Your saw is equipped with a lock-off button **2**.

To lock the trigger switch, press the lock-off button on the left. Always lock the trigger switch **1** when carrying or storing the tool to eliminate unintentional starting.

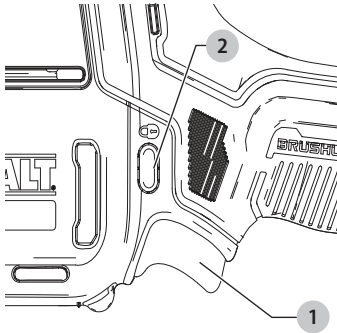
To unlock the trigger switch, press the lock-off button on the right. Pull the trigger switch to turn the motor ON. Releasing the trigger switch turns the motor OFF.

WARNING: This tool has no provision to lock the switch in the ON position, and should never be locked ON by any other means.

The variable speed trigger switch will give you added versatility. The further the trigger is depressed the higher the speed of the saw.

CAUTION: Use of very slow speed is recommended only for beginning a cut. Prolonged use at very slow speed may damage your saw.

Fig. F

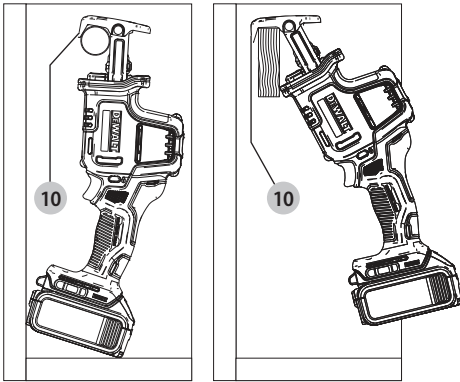


Hang Cleat (Fig. A, G)

The pivoting shoe **4** contains a hang cleat **10** that can be used to hang the tool from North American 2x4 material and pipes. To hang the tool, position the tool with the cleat over top the material as shown in Fig. G.

NOTE: If using the hang cleat to hang the tool from pipe or other rounded material make sure the foot of the tool is supported by the wall or other material to keep the tool from swinging.

Fig. G



Cutting (Fig. A, B, E)

The blade **11** should extend past the pivoting shoe **4** and the thickness of the workpiece throughout the cut. Select the blade best suitable for the material to be cut and use the shortest blade suitable for the thickness of the material. Do not use jigsaw blades with this tool.

NOTE: Before cutting any type of material, be sure it is firmly anchored or clamped to prevent slipping.

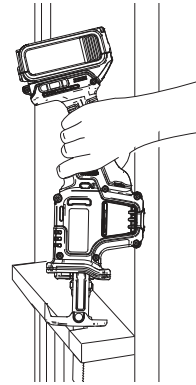
- Place blade **11** and pivoting shoe **4** lightly against work to be cut.
- Switch on saw motor and allow it to obtain maximum speed before applying pressure.
- Always hold saw as shown in Figure E. Whenever possible, the pivoting shoe must be held firmly against the material being cut. This will prevent the saw from jumping or vibrating and will minimize blade breakage.

Flush Cutting (Fig. H)

The compact design of the reciprocating saw motor housing and pivoting shoe permit close cutting to floors, corners and other difficult areas.

1. To maximize flush cutting capabilities, insert the blade shaft into the blade clamp with the teeth of the blade facing up.
2. Turn the saw upside down so you are as close to the work surface as possible.

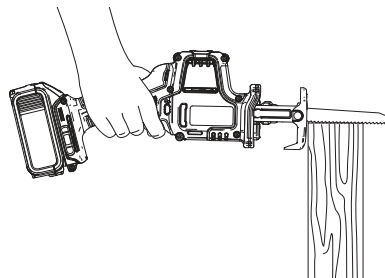
Fig. H



Wood Cutting (Fig. I)

1. Before cutting any type of wood, be sure the workpiece is firmly anchored or clamped to prevent slipping.
2. Place blade and pivoting shoe firmly against work to be cut.
3. Switch on saw motor before starting the cut.
4. Always hold saw as shown in Figure E while cutting. Whenever possible, the pivoting shoe must be held firmly against the material being cut. This will prevent the saw from jumping or vibrating and minimize blade breakage.

Fig. I

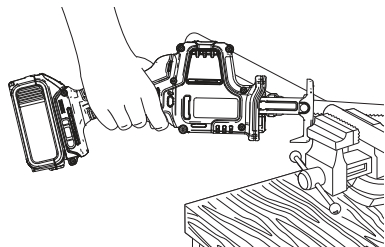


Metal Cutting (Fig. J)

1. Use a finer blade for ferrous metals and a coarse blade for non-ferrous materials.
2. In thin gauge sheet metals it is best to clamp wood to the underside of the sheet. This will ensure a clean cut without excess vibration or tearing of metal.
3. Avoid forcing cutting blade as this reduces blade life and causes costly blade breakage.

NOTE: You should spread a thin film of oil or other coolant along the line ahead of the saw cut for easier operation and longer blade life. For cutting aluminum, kerosene is preferred.

Fig. J



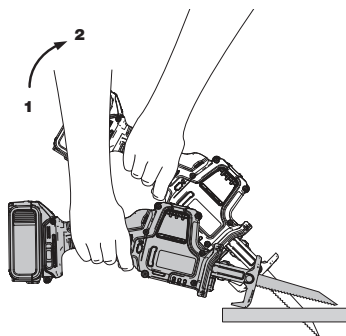
Pocket Cutting - Wood Only (Fig. K)

Measure the surface area to be cut and mark clearly with a pencil, chalk or scribe.

1. Insert blade in blade clamp and tighten blade clamp securely.
2. Tip the saw backward until the back edge of the pivoting shoe is firmly on the work surface.
3. Switch motor on, permitting blade to attain maximum speed.
4. Grip handle steadily and begin a slow, deliberate upward swing with the handle of the saw.
5. The blade will begin to feed into material. Always be sure blade is completely through material before continuing with pocket cut.

NOTE: In areas where blade visibility is limited, use the edge of the pivoting shoe as a guide.

Fig. K



Project Tips

- Cut only with sharp blades; they cut cleaner, faster and put less strain on the motor while cutting.
- When cutting, always ensure that the pivoting shoe is resting against the workpiece. This will improve operator control and minimize vibration.
- For longer blade life, use bi-metal blades. These utilize a carbon steel back welded to high speed steel teeth making the blade more flexible and less prone to breaking.

MAINTENANCE



WARNING: To reduce the risk of serious personal injury, turn unit off and remove the battery pack before making any adjustments or removing/installing attachments or accessories. An accidental start-up can cause injury.

Cleaning



WARNING: Blow dirt and dust out of all air vents with clean, dry air at least once a week. To minimize the risk of eye injury, always wear ANSI Z87.1 approved eye protection when performing this procedure.



WARNING: Never use solvents or other harsh chemicals for cleaning the non-metallic parts of the tool. These chemicals may weaken the plastic materials used in these parts. Use a cloth dampened only with water and mild soap. Never let any liquid get inside the tool; never immerse any part of the tool into a liquid.

Accessories



WARNING: Since accessories, other than those offered by DeWALT, have not been tested with this product, use of such accessories with this tool could be hazardous. To reduce the risk of injury, only DeWALT recommended accessories should be used with this product.

Recommended accessories for use with your tool are available at extra cost from your local dealer or authorized service center. If you need assistance in locating any accessory, please contact DeWALT call 1-800-4-DeWALT (1-800-433-9258) or visit our website: www.dewalt.com.

Repairs

The charger and battery pack are not serviceable. There are no serviceable parts inside the charger or battery pack.



WARNING: To assure product SAFETY and RELIABILITY, repairs, maintenance and adjustment (including brush inspection and replacement, when applicable) should be performed by a DeWALT factory service center or a DeWALT authorized service center. Always use identical replacement parts.

Register Online

Thank you for your purchase. Register your product now for:

- **WARRANTY SERVICE:** Registering your product will help you obtain more efficient warranty service in case there is a problem with your product.
- **CONFIRMATION OF OWNERSHIP:** In case of an insurance loss, such as fire, flood or theft, your registration of ownership will serve as your proof of purchase.
- **FOR YOUR SAFETY:** Registering your product will allow us to contact you in the unlikely event a safety notification is required under the Federal Consumer Safety Act.
- Register online at www.dewalt.com

Three Year Limited Warranty

DeWALT will repair or replace, without charge, any defects due to faulty materials or workmanship for three years from the date of purchase (two years for batteries). This warranty does not cover part failure due to normal wear or tool abuse. For further detail of warranty coverage and warranty repair information, visit www.dewalt.com or call 1-800-4-DeWALT (1-800-433-9258). This warranty does not apply to accessories or damage caused where repairs have been made or attempted by others. THIS LIMITED WARRANTY IS GIVEN IN LIEU OF ALL OTHERS, INCLUDING THE IMPLIED WARRANTY OF MERCHANTABILITY AND FITNESS FOR A PARTICULAR PURPOSE, AND EXCLUDES ALL INCIDENTAL OR CONSEQUENTIAL DAMAGES. Some states do not allow limitations on how long an implied warranty lasts or the exclusion or limitation of incidental or consequential damages, so these limitations may not apply to you. This warranty gives you specific legal rights and you may have other rights which vary in certain states or provinces.

In addition to the warranty DeWALT tools are covered by our:

1 YEAR FREE SERVICE

DeWALT will maintain the tool and replace worn parts caused by normal use, for free, any time during the first year after purchase.

2 YEARS FREE SERVICE ON DeWALT BATTERY PACKS

DC9071, DC9091, DC9096, DC9182, DC9280, DC9360,
DCB120, DCB122, DCB124, DCB127, DCB201, DCB203BT,
DCB207, DCB361

3 YEARS FREE SERVICE ON DeWALT BATTERY PACKS

DCB200, DCB203, DCB204, DCB204BT, DCB205, DCB205BT,
DCB206, DCB230, DCB606, DCB609, DCB612

NOTE: Battery warranty voided if the battery pack is tampered with in any way. DeWALT is not responsible for any injury caused by tampering and may prosecute warranty fraud to the fullest extent permitted by law.

90 DAY MONEY BACK GUARANTEE

If you are not completely satisfied with the performance of your DeWALT Power Tool or Nailer for any reason, you can return it within 90 days from the date of purchase with a receipt for a full refund – no questions asked.

LATIN AMERICA: This warranty does not apply to products sold in Latin America. For products sold in Latin America, see country specific warranty information contained in the packaging, call the local company or see website for warranty information.

FREE WARNING LABEL REPLACEMENT: If your warning labels become illegible or are missing, call 1-800-4-DeWALT (1-800-433-9258) for a free replacement.

**Maximum initial battery voltage (measured without a workload) is 12, 20, 60 or 120 volts. Nominal voltage is 10.8, 18, 54 or 108. (120V Max* is based on using 2 DeWALT 60V Max* lithium-ion batteries combined.)*

Définitions : symboles et termes d'alarmes sécurité

Ces guides d'utilisation utilisent les symboles et termes d'alarmes sécurité suivants pour vous prévenir de situations dangereuses et de risques de dommages corporels ou matériels.



DANGER : indique une situation dangereuse imminente qui, si elle n'est pas évitée, **entraînera la mort ou des blessures graves**.



AVERTISSEMENT : indique une situation potentiellement dangereuse qui, si elle n'est pas évitée, **pourrait entraîner la mort ou des blessures graves**.



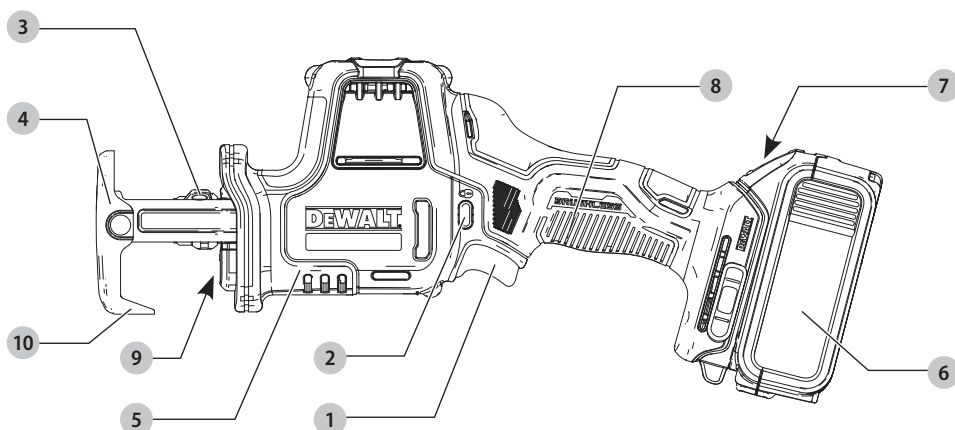
ATTENTION : indique une situation potentiellement dangereuse qui, si elle n'est pas évitée, **pourrait entraîner des blessures légères ou modérées**.



(Si utilisé sans aucun terme) Indique un message propre à la sécurité.

AVIS : indique une pratique ne posant **aucun risque de dommages corporels** mais qui par contre, si rien n'est fait pour l'éviter, **pourrait poser des risques de dommages matériels**.

Fig. A



- 1 Gâchette à vitesse variable
- 2 Bouton de verrouillage
- 3 Levier de déverrouillage du serre-lame
- 4 Patin pivotant
- 5 Poignée
- 6 Bloc-piles
- 7 Bouton de libération du bloc-piles
- 8 Poignée principale
- 9 Lampe de travail
- 10 Taquet de suspension



AVERTISSEMENT : lire tous les avertissements de sécurité et toutes les directives. Le non-respect des avertissements et des directives pourrait se solder par un choc électrique, un incendie et/ou une blessure grave.



AVERTISSEMENT : afin de réduire le risque de blessures, lire le mode d'emploi de l'outil.

Pour toute question ou remarque au sujet de cet outil ou de tout autre outil DEWALT composez le numéro sans frais : (1-800-433-9258).

Scie alternative compacte 20 V max* DCS369

AVERTISSEMENTS GÉNÉRAUX SUR LA SÉCURITÉ DES OUTILS



AVERTISSEMENT : lisez tous les avertissements de sécurité, toutes les instructions, les illustrations et les caractéristiques fournis avec cet outil électrique. Ne pas suivre toutes les instructions comprises aux présentes peut conduire à un choc électrique, un incendie et/ou des blessures graves.

CONSERVER TOUS LES AVERTISSEMENTS ET TOUTES LES DIRECTIVES POUR UN USAGE ULTÉRIEUR

Le terme « outil électrique » cité dans les avertissements se rapporte à votre outil électrique à alimentation sur secteur (avec fil) ou par piles (sans fil).

1) Sécurité du lieu de travail

- Tenir l'aire de travail propre et bien éclairée.**
Les lieux encombrés ou sombres sont propices aux accidents.
- Ne pas faire fonctionner d'outils électriques dans un milieu déflagrant, tel qu'en présence de liquides, de gaz ou de poussières inflammables.**
Les outils électriques produisent des étincelles qui pourraient enflammer la poussière ou les vapeurs.
- Éloigner les enfants et les personnes à proximité pendant l'utilisation d'un outil électrique.** Une distraction pourrait en faire perdre la maîtrise à l'utilisateur.

2) Sécurité en matière d'électricité

- Les fiches des outils électriques doivent correspondre à la prise. Ne jamais modifier la fiche d'aucune façon. Ne jamais utiliser de fiche d'adaptation avec un outil électrique mis à la terre.** Le risque de choc électrique sera réduit par l'utilisation de fiches non modifiées correspondant à la prise.
- Éviter tout contact physique avec des surfaces mises à la terre comme des tuyaux, des radiateurs, des cuisinières et des réfrigérateurs.** Le risque de choc électrique est plus élevé si votre corps est mis à la terre.
- Ne pas exposer les outils électriques à la pluie ou à l'humidité.** La pénétration de l'eau dans un outil électrique augmente le risque de choc électrique.
- Ne pas utiliser le cordon de façon abusive. Ne jamais utiliser le cordon pour transporter, tirer ou débrancher un outil électrique. Tenir le cordon éloigné de la chaleur, de l'huile, des bords tranchants et des pièces mobiles.** Les cordons endommagés ou enchevêtrés augmentent les risques de choc électrique.
- Pour l'utilisation d'un outil électrique à l'extérieur, se servir d'une rallonge convenant à**

cette application. L'utilisation d'une rallonge conçue pour l'extérieur réduira les risques de choc électrique.

- S'il est impossible d'éviter l'utilisation d'un outil électrique dans un endroit humide, brancher l'outil dans une prise ou sur un circuit d'alimentation dotés d'un disjoncteur de fuite à la terre (GFCI).** L'utilisation de ce type de disjoncteur réduit les risques de choc électrique.

3) Sécurité personnelle

- Être vigilant, surveiller le travail effectué et faire preuve de jugement lorsqu'un outil électrique est utilisé. Ne pas utiliser d'outil électrique en cas de fatigue ou sous l'influence de drogues, d'alcool ou de médicaments.** Un simple moment d'inattention en utilisant un outil électrique peut entraîner des blessures corporelles graves.
- Utiliser des équipements de protection individuelle. Toujours porter une protection oculaire.** L'utilisation d'équipements de protection comme un masque antipoussière, des chaussures antidérapantes, un casque de sécurité ou des protecteurs auditifs lorsque la situation le requiert réduira les risques de blessures corporelles.
- Empêcher les démarrages intempestifs. S'assurer que l'interrupteur se trouve à la position d'arrêt avant de relier l'outil à une source d'alimentation et/ou d'insérer un bloc-piles, de ramasser ou de transporter l'outil.** Transporter un outil électrique alors que le doigt repose sur l'interrupteur ou brancher un outil électrique dont l'interrupteur est à la position de marche risque de provoquer un accident.
- Retirer toute clé de réglage ou clé avant de démarrer l'outil.** Une clé ou une clé de réglage attachée à une partie pivotante de l'outil électrique peut provoquer des blessures corporelles.
- Ne pas trop tendre les bras. Conserver son équilibre en tout temps.** Cela permet de mieux maîtriser l'outil électrique dans les situations imprévues.
- S'habiller de manière appropriée. Ne pas porter de vêtements amples ni de bijoux. Garder les cheveux, les vêtements et les gants à l'écart des pièces mobiles.** Les vêtements amples, les bijoux ou les cheveux longs risquent de rester coincés dans les pièces mobiles.
- Si des composants sont fournis pour le raccordement de dispositifs de dépoussiérage et de ramassage, s'assurer que ceux-ci sont bien raccordés et utilisés.** L'utilisation d'un dispositif de dépoussiérage peut réduire les dangers engendrés par les poussières.
- Ne pas laisser votre connaissance acquise suite à l'utilisation fréquente des outils vous permettre de baisser la garde et ignorer les principes de**

sécurité de l'outil. Un acte irréfléchi peut causer une blessure grave en une fraction de seconde.

4) Utilisation et entretien d'un outil électrique

- a) **Ne pas forcer un outil électrique. Utiliser l'outil électrique approprié à l'application.** L'outil électrique approprié effectuera un meilleur travail, de façon plus sûre et à la vitesse pour laquelle il a été conçu.
- b) **Ne pas utiliser un outil électrique dont l'interrupteur est défectueux.** Tout outil électrique dont l'interrupteur est défectueux est dangereux et doit être réparé.
- c) **Débranchez la fiche de la prise électrique et, si amovible, retirez le bloc-piles de l'outil avant d'effectuer tout ajustement, changement et entreposage de celui-ci.** Ces mesures préventives réduisent les risques de démarrage accidentel de l'outil électrique.
- d) **Ranger les outils électriques hors de la portée des enfants et ne permettre à aucune personne n'étant pas familière avec un outil électrique ou son mode d'emploi d'utiliser cet outil.** Les outils électriques deviennent dangereux entre les mains d'utilisateurs inexpérimentés.
- e) **Gardez les poignées et surfaces d'emprise propres et libres de tout produit lubrifiant. Vérifier si les pièces mobiles sont mal alignées ou coincées, si des pièces sont brisées ou présentent toute autre condition susceptible de nuire au bon fonctionnement de l'outil électrique. En cas de dommage, faire réparer l'outil électrique avant toute nouvelle utilisation.** Beaucoup d'accidents sont causés par des outils électriques mal entretenus.
- f) **S'assurer que les outils de coupe sont aiguisés et propres.** Les outils de coupe bien entretenus et affûtés sont moins susceptibles de se coincer et sont plus faciles à maîtriser.
- g) **Utiliser l'outil électrique, les accessoires, les forets, etc. conformément aux présentes directives en tenant compte des conditions de travail et du travail à effectuer.** L'utilisation d'un outil électrique pour toute opération autre que celle pour laquelle il a été conçu est dangereuse.
- h) **Garder vos mains et les surfaces de prise sèches, propres et libres de graisse et de poussière.** Les mains et les surfaces de prise glissantes ne permettent pas la manutention et le contrôle sécuritaires de l'outil dans les situations imprévues.

5) Utilisation et entretien du bloc-piles

- a) **Ne recharger l'outil qu'au moyen du chargeur précisé par le fabricant.** L'utilisation d'un chargeur qui convient à un type de bloc-piles risque de provoquer un incendie s'il est utilisé avec un autre type de bloc-piles.
- b) **Utiliser les outils électriques uniquement avec les blocs-piles conçus à cet effet.** L'utilisation de

tout autre bloc-piles risque de causer des blessures ou un incendie.

- c) **Lorsque le bloc-piles n'est pas utilisé, le tenir éloigné des objets métalliques, notamment des trombones, de la monnaie, des clés, des clous, des vis ou autres petits objets métalliques qui peuvent établir une connexion entre les deux bornes.** Le court-circuit des bornes du bloc-piles risque de provoquer des brûlures ou un incendie.
- d) **En cas d'utilisation abusive, le liquide peut gicler hors du bloc-piles; éviter tout contact avec ce liquide. Si un contact accidentel se produit, laver à grande eau. Si le liquide entre en contact avec les yeux, obtenir également des soins médicaux.** Le liquide qui gicle hors du bloc-piles peut provoquer des irritations ou des brûlures.
- e) **Ne pas utiliser de bloc-piles ou outil qui a été endommagé ou modifié.** Les unités endommagées ou modifiées peuvent avoir une réaction imprévisible résultant en un incendie, une explosion ou un potentiel de blessure.
- f) **Ne pas exposer de bloc-piles ou l'outil aux flammes ou à des températures excessives.** L'exposition aux flammes ou à une température au-dessus de 129 °C (265 °F) pourrait causer une explosion.
- g) **Suivre toutes les instructions de recharge et ne recharger pas le bloc-piles ou l'outil à des températures hors de la plage de température indiquée dans les instructions.** Une recharge non conforme ou à une température hors des limites spécifiées peut endommager les piles et augmenter le risque d'incendie.

6) Réparation

- a) **Faire réparer l'outil électrique par un réparateur professionnel en n'utilisant que des pièces de rechange identiques.** Cela permettra de maintenir une utilisation sécuritaire de l'outil électriques.
- b) **Ne jamais réparer des blocs-piles endommagés.** La réparation de blocs-piles doit seulement être effectuée par le fabricant ou les fournisseurs de service autorisés.

Consignes de sécurité pour les scies alternatives

- **Tenir l'outil par les surfaces isolées prévues à cet effet pendant toute utilisation où l'organe de coupe pourrait entrer en contact avec des fils électriques cachés.** Tout contact de l'organe de coupe avec un fil sous tension mettra les parties métalliques exposées de l'outil sous tension et électrocutera l'utilisateur.
- **Utilisez des serres de fixation ou un autre dispositif de fixation permettant de soutenir et de retenir la pièce sur une plate-forme stable.** Tenir la pièce à travailler par une main ou contre votre corps la laisse instable et peut mener à une perte de contrôle.



AVERTISSEMENT : ne pas utiliser cet outil durant de longues périodes. La vibration causée par l'action du fonctionnement de cet outil peut causer des blessures permanentes aux doigts, mains et aux bras. Utilisez des gants pour offrir un coussin supplémentaire, prenez des pauses fréquentes et limitez la durée d'utilisation quotidienne.



AVERTISSEMENT : inspectez l'aire de travail pour les câbles électriques, les tuyaux de gaz ou d'eau cachés avant d'effectuer des coupes à l'aveugle ou en plongée. Ne pas le faire peut entraîner un choc électrique, un incendie, une explosion ou endommager le matériel.

- **Tenez solidement la scie avec les deux mains pendant les coupes.** Durant les coupes, la lame peut se coincer soudainement dans le travail et peut entraîner le rebond de la scie vers l'utilisateur.
- **Gardez vos mains à l'écart de la zone de coupe.** Ne jamais passer votre main sous le matériau pour quelque raison que ce soit. Tenez le devant de la scie en saisissant la zone de préhension profilée. Ne pas insérer les doigts ou le pouce à proximité de la lame à va-et-vient et du serre-lame. Ne pas stabiliser la scie en saisissant le sabot.
- **Redoublez de prudence lorsque vous coupez au-dessus de votre tête et portez une attention particulière aux câbles aux câbles suspendus qui peuvent être cachés.** Prévoyez la trajectoire des branches et des débris tombants.
- **Lorsque vous coupez un tuyau ou une conduite, assurez-vous qu'ils ne contiennent pas d'eau, de câbles électriques, etc.**

Consigne de sécurité supplémentaire



AVERTISSEMENT : ne jamais modifier l'outil électrique ni aucun de ses composants, car il y a risques de dommages corporels ou matériels.



AVERTISSEMENT : porter **SYSTEMATIQUEMENT** des lunettes de protection. Les Lunettes courantes NE sont PAS des lunettes de protection. Utiliser aussi un masque antipoussières si l'opération est poussiéreuse. **PORTER SYSTEMATIQUEMENT UN ÉQUIPEMENT DE SÉCURITÉ HOMOLOGUÉ :**

- Protection oculaire ANSI Z87.1 (CAN/CSA Z94.3) ;
- Protection auditive ANSI S12.6 (S3.19) ;
- Protection des voies respiratoires NIOSH/ OSHA/ MSHA.



AVERTISSEMENT : les scies, meules, ponceuses, perceuses ou autres outils de construction peuvent produire des poussières contenant des produits chimiques reconnus par l'État californien pour causer cancers, malformations congénitales ou être nocifs au système reproducteur. Parmi ces produits chimiques, on retrouve :

- Le plomb dans les peintures à base de plomb ;
- La silice cristallisée dans les briques et le ciment, ou autres produits de maçonnerie ; et

- L'arsenic et le chrome dans le bois ayant subi un traitement chimique.

Le risque associé à de telles expositions varie selon la fréquence à laquelle on effectue ces travaux. Pour réduire toute exposition à ces produits : travailler dans un endroit bien aéré, en utilisant du matériel de sécurité homologué, tel un masque antipoussières spécialement conçu pour filtrer les particules microscopiques.

- **Limiter toute exposition prolongée avec les poussières provenant du ponçage, sciage, meulage, perçage ou toute autre activité de construction. Porter des vêtements de protection et nettoyer à l'eau savonneuse les parties du corps exposées.** Le fait de laisser la poussière pénétrer dans la bouche, les yeux ou la peau peut favoriser l'absorption de produits chimiques dangereux.



AVERTISSEMENT : cet outil peut produire et/ou répandre de la poussière susceptible de causer des dommages sérieux et permanents au système respiratoire. Utiliser systématiquement un appareil de protection des voies respiratoires homologué par le NIOSH ou l'OSHA. Diriger les particules dans le sens opposé au visage et au corps.



AVERTISSEMENT : pendant l'utilisation, porter systématiquement une protection auditive individuelle adéquate homologuée ANSI S12.6 (S3.19). Sous certaines conditions et suivant la durée d'utilisation, le bruit émanant de ce produit pourrait contribuer à une perte de l'acuité auditive.







ATTENTION : après utilisation, ranger l'outil sur son côté, sur une surface stable, là où il ne pourra ni faire trébucher ni faire chuter quelqu'un. Certains outils équipés d'un large bloc-piles peuvent tenir à la verticale sur celui-ci, mais manquent alors de stabilité.

- **Prendre des précautions à proximité des événements, car ils cachent des pièces mobiles.** Vêtements amples, bijoux ou cheveux longs risquent de rester coincés dans ces pièces mobiles.

L'étiquette apposée sur votre outil peut inclure les symboles suivants. Les symboles et leur définition sont indiqués ci-après :

V	volts	SPM (FPM)	fréquence par minute
Hz	hertz		
min	minutes	OPM	oscillations par minute
— — — ou DC	courant continu	A	ampères
Ⓢ	fabrication classe I (mis à la terre)	W	watts
... /min	par minute	~ ou AC	courant alternatif
BPM	batttements par minute	⎓ ou AC/DC	courant alternatif ou continu
IPM	impacts par minute	Ⓢ	fabrication classe II (double isolation)
RPM	révolutions par minute	n ₀	vitesse à vide
sfpm (plpm)	pieds linéaires par minute	n	vitesse nominale
		Ⓢ	borne de terre

symbole d'avertissement	protection oculaire
radiation visible	protection auditive
protection respiratoire	lire toute la documentation
IPXX.....symbole IP		

BLOCS-PILES ET CHARGEURS

Le bloc-piles n'est pas totalement chargé d'usine. Avant d'utiliser le bloc-piles et le chargeur, lire les consignes de sécurité ci-après puis suivre la procédure de chargement indiquée. Pour commander un bloc-piles de rechange, s'assurer d'en inclure le numéro de catalogue et la tension.

LIRE TOUTES LES CONSIGNES

Consignes importantes de sécurité les blocs-piles

AVERTISSEMENT : lisez toutes les consignes de sécurité, les instructions et les symboles d'avertissements du bloc-piles, du chargeur et du produit. Tout manquement aux avertissements et instructions pose des risques de décharges électriques, d'incendie et/ou de blessures graves.

- **Ne pas recharger ou utiliser un bloc-piles en milieu déflagrant, en présence, par exemple, de poussières, gaz ou liquides inflammables.** Le fait d'insérer ou retirer un bloc-piles de son chargeur pourrait causer l'inflammation de poussières ou d'émanations.
- **Lorsque non utilisé, garder le bloc-piles éloigné de petits objets métalliques comme des trombones attache-feuilles, des pièces de monnaie, des clés, des clous et vis ou autres pièces qui pourraient court-circuiter les bornes.** Un court-circuit pourrait causer des brûlures ou un incendie.
- **NE JAMAIS forcer l'insertion d'un bloc-piles dans un chargeur. NE modifier un bloc-piles d'AUCUNE façon pour le faire rentrer dans un chargeur incompatible, car il pourrait se briser et causer des dommages corporels graves.** Consulter le tableau en dernière page de ce manuel pour connaître les compatibilités entre chargeurs et blocs-piles.
- Recharger les blocs-piles exclusivement dans des chargeurs DEWALT.
- **NE PAS** éclabousser le bloc-piles ou l'immerger dans l'eau ou dans tout autre liquide.
- **Ne pas entreposer ou utiliser l'appareil et le bloc-piles en présence de températures ambiantes pouvant excéder 40 °C (104 °F) (comme dans des hangars ou des bâtiments métalliques l'été).** Pour préserver leur durée de vie, entreposer les blocs-piles dans un endroit frais et sec.
REMARQUE : ne pas mettre un bloc-piles dans un outil dont la gâchette est verrouillée en position de marche. Ne jamais bloquer l'interrupteur en position de MARCHE.

- **Ne pas exposer le bloc-piles ou l'outil/l'appareil au feu ou à une température excessive.** L'exposition au feu ou à une température au-dessus de 130° C (265° F) pourrait entraîner une explosion.
- **Ne pas incinérer le bloc-piles même s'il est sévèrement endommagé ou complètement usagé, car il pourrait exploser et causer un incendie.** Pendant l'incinération des blocs-piles au lithium-ion, des vapeurs et matières toxiques sont dégagées.
- **En cas de contact du liquide de la pile avec la peau, rincer immédiatement au savon doux et à l'eau.** En cas de contact oculaire, rincer l'œil ouvert à l'eau claire une quinzaine de minutes ou jusqu'à ce que l'irritation cesse. Si des soins médicaux s'avéraient nécessaires, noter que l'électrolyte de la pile est composé d'un mélange de carbonates organiques liquides et de sels de lithium.
- **Le contenu des cellules d'une pile ouverte peut causer une irritation respiratoire.** En cas d'inhalation, exposer l'individu à l'air libre. Si les symptômes persistent, consulter un médecin.

AVERTISSEMENT : risques de brûlure. Le liquide de la pile peut s'enflammer s'il est exposé à des étincelles ou à une flamme.

AVERTISSEMENT : risques d'incendie. Ne jamais tenter d'ouvrir le bloc-piles pour quelque raison que ce soit. Si le boîtier du bloc-piles est fissuré ou endommagé, ne pas l'insérer dans un chargeur. Ne pas écraser, laisser tomber, ou endommager les blocs-piles. Ne pas utiliser un bloc-piles ou un chargeur qui a reçu un choc violent, ou si l'appareil est tombé, a été écrasé ou endommagé de quelque façon que ce soit (p. ex. percé par un clou, frappé d'un coup de marteau, piétiné). Les blocs-piles endommagés doivent être renvoyés à un centre de réparation pour y être recyclés.

Recommandations de stockage

1. Le lieu idéal de rangement est un lieu frais et sec, à l'abri de toute lumière solaire directe et de toute température excessive.
2. Pour un stockage prolongé, il est recommandé d'entreposer le bloc-piles pleinement chargé dans un lieu frais et sec, hors du chargeur pour optimiser les résultats.

REMARQUE : les blocs-piles ne devraient pas être entreposés complètement déchargés. Il sera nécessaire de recharger le bloc-piles avant réutilisation.

Instructions d'entretien du blocs-pile

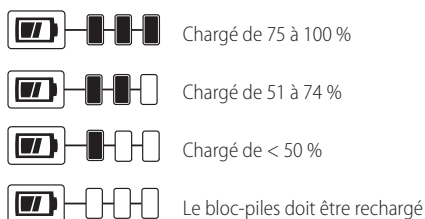
Éliminer toute saleté ou graisse de la surface externe du blocs-pile à l'aide d'un chiffon ou d'une brosse non métallique douce. N'utiliser ni eau ni aucun nettoyant liquide.

Témoin de Charge du Bloc-Piles

Certains blocs-piles DEWALT possèdent un témoin de charge qui consiste en trois voyants Del indiquant le niveau de charge du bloc-piles.

FRANÇAIS

Le témoin de charge indique approximativement le niveau de charge restant dans le bloc-piles en fonction des voyants suivants :



Pour activer le témoin de charge, maintenez appuyé le bouton du témoin de charge. Une combinaison des trois voyants Del s'allumera indiquant le niveau de charge. Lorsque le niveau de charge du bloc-pile atteint la limite minimale d'utilisation, le témoin de charge reste éteint et le bloc-piles doit être rechargé.

REMARQUE : le témoin de charge ne fait qu'indiquer le niveau de charge du bloc-piles. Il ne donne aucune indication quant au fonctionnement de l'outil. Son propre fonctionnement pourra aussi varier en fonction des composants produit, de la température et de l'application d'utilisation.

Pour plus d'informations quant au témoin de charge du bloc-piles, veuillez appeler le 1-800-4-DEWALT (1-800-433-9258) ou vous rendre sur notre site www.dewalt.com.

Transport



AVERTISSEMENT : risques d'incendie. Au moment de ranger ou transporter le bloc-piles, veiller à protéger ses bornes à découvert de tout objet métallique. Par exemple, éviter de placer le bloc-piles dans un tablier, une poche, une boîte à outils ou un tiroir, etc. contenant des objets tels que clous, vis, clés, etc. **Le fait de transporter des blocs-piles comporte des risques d'incendie, car les bornes des piles pourraient entrer, par inadvertance, en contact avec des objets conducteurs, tels que : clés, pièces de monnaie, outils ou autres.**

La réglementation sur les produits dangereux (Hazardous Material Regulations) du département américain des transports interdit, en fait, le transport des blocs-piles dans les commerces ou dans les avions dans les bagages de cabine, À MOINS qu'ils ne soient correctement protégés de tout court-circuit. Aussi lors du transport individuel de blocs-piles, s'assurer que leurs bornes sont bien protégées et isolées de tout matériau pouvant entrer en contact avec elles et provoquer un court-circuit. **REMARQUE :** il ne faut pas laisser de piles au li-ion dans les bagages enregistrés.

Le sceau SRPRC^{MD}

Le sceau SRPRC^{MD} (Société de recyclage des piles rechargeables du Canada) apposé sur une pile au nickel-cadmium, à hydrure métallique de nickel ou au lithium-ion (ou un



bloc-piles) indique que les coûts de recyclage de ces derniers en fin d'utilisation ont déjà été réglés par DEWALT. Dans certaines régions, la mise au rebut ou aux ordures municipales des piles au nickel-cadmium, à l'hydrure métallique de nickel ou au lithium-ion, est illégale ; le programme de l'Appel à Recycler^{MD} constitue donc une solution pratique et écologique.

Appel à Recycler Canada, Inc., en collaboration avec DEWALT et d'autres utilisateurs de piles, a mis sur pied de programme aux États-Unis et au Canada pour faciliter la collecte des piles au nickel-cadmium, à l'hydrure métallique de nickel ou au lithium-ion usagées. Aidez-nous à protéger l'environnement et à conserver nos ressources naturelles en renvoyant les piles au nickel-cadmium, à l'hydrure métallique de nickel ou au lithium-ion usagées à un centre de réparation autorisé DEWALT ou chez votre détaillant afin qu'elles y soient recyclées. On peut en outre se renseigner auprès d'un centre de recyclage local pour connaître d'autres sites les acceptant. SRPRC^{MD} est une marque déposée de l'Appel à Recycler Canada, Inc.

Expédition du bloc-piles DEWALT FLEXVOLTTM

Le bloc-piles DEWALT FLEXVOLTTM possède deux modes : **Utilisation et Expédition.**

Mode Utilisation : lorsque le bloc-piles DEWALT FLEXVOLTTM est par lui-même ou dans un produit 20 V max*, il fonctionnera comme un bloc-piles de 20 V max*. Lorsque le bloc-piles FLEXVOLTTM est dans un produit de 60 V max* ou 120 V max* (deux blocs-piles de 60 V max*), il fonctionnera comme un bloc-piles de 60 V max*.

Mode Expédition : lorsque

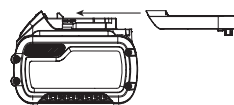
le capuchon est inséré sur le bloc-piles FLEXVOLTTM, le bloc-piles est en mode Expédition. Les modules de cellules sont électriquement déconnectés du bloc le faisant correspondre à trois blocs-piles d'un wattheure (Wh) inférieur comparé à un bloc-piles de wattheure élevé. Ce passage à trois blocs-piles à un wattheure inférieur peut permettre au bloc-piles d'être exempté de suivre certaines directives d'expédition imposées sur les blocs-piles de wattheure supérieur.

L'étiquette du bloc-piles donne deux estimations de wattheures (se reporter à l'exemple). Selon comment le bloc-piles est expédié, l'estimation appropriée de wattheure doit être utilisée pour déterminer les modalités d'expédition lui correspondant. Si le capuchon d'expédition est utilisé, le bloc-piles sera considéré comme 3 blocs-piles au wattheure indiqué pour « Expédition ». S'il est expédié sans le capuchon ou dans un outil, le bloc-piles sera considéré comme un seul bloc-piles au wattheure indiqué à côté de « Utilisation ».

Exemple d'étiquetage d'utilisation et d'expédition

USE: 120 Wh Shipping: 3 x 40 Wh

Par exemple, le Wh de expédition pourra indiquer 3 x 40 Wh, ce qui correspond à 3 blocs-piles de 40 wattheures chacun. L'utilisation du Wh pourra indiquer 120 Wh (sous-entendu 1 bloc-piles).



Directives de sécurité importantes propres à tous les chargeurs de piles



AVERTISSEMENT : lisez toutes les consignes de sécurité, les instructions et les symboles d'avertissements du bloc-piles, du chargeur et du produit. Tout manquement aux avertissements et instructions pose des risques de décharges électriques, d'incendie et/ou de blessures graves.

- **NE PAS tenter de recharger le bloc-piles avec tout autre chargeur qu'une unité DEWALT.** Le chargeur DEWALT et son bloc-piles sont conçus spécialement pour fonctionner conjointement.
- **Ces chargeurs n'ont pas été conçus pour une utilisation autre que recharger les blocs-piles rechargeables DEWALT.** Toute autre utilisation comporte des risques d'incendie, de chocs électriques ou d'électrocution.
- **Protéger le chargeur de la pluie ou de la neige.**
- **Tirer sur la fiche plutôt que sur le cordon pour débrancher le chargeur.** Cela permet de réduire les risques d'endommager la fiche ou le cordon d'alimentation.
- **S'assurer que le cordon est protégé de manière à ce que personne ne marche ni ne trébuche dessus, ou à ce qu'il ne soit ni endommagé ni soumis à aucune tension.**
- **N'utiliser une rallonge qu'en cas de nécessité absolue.** L'utilisation d'une rallonge inadéquate comporte des risques d'incendie, de chocs électriques ou d'électrocution.
- **Pour utiliser un chargeur à l'extérieur, le placer dans un endroit sec et utiliser une rallonge conçue pour l'extérieur.** L'utilisation d'une rallonge conçue pour l'extérieur réduit les risques de chocs électriques.
- **Pour la sécurité de l'utilisateur, utiliser une rallonge de calibre adéquat (AWG, American Wire Gauge [calibrage américain normalisé des fils électriques]).** Plus le calibre est petit, et plus sa capacité est grande. Un calibre 16, par exemple, a une capacité supérieure à un calibre 18. L'usage d'une rallonge de calibre insuffisant causera une chute de tension qui entraînera perte de puissance et surchauffe. Si plus d'une rallonge est utilisée pour obtenir une certaine longueur, s'assurer que chaque rallonge présente au moins le calibre de fil minimum. Le tableau ci-dessous illustre les calibres à utiliser selon la longueur de rallonge et l'intensité nominale indiquée sur la plaque signalétique. En cas de doute, utiliser le calibre suivant. Plus le calibre est petit, plus la rallonge peut supporter de courant.

Calibre minimum pour les cordons d'alimentation

Volts	Longueur totale du cordon d'alimentation en mètre (pieds)			
	7,6 (25)	15,2 (50)	30,5 (100)	45,7 (150)
120V	15,2 (50)	30,5 (100)	61,0 (200)	91,4 (300)
240V				
Ampères		AWG		
Plus que	Pas plus que			
0	6	18	16	16
6	10	18	16	14
10	12	16	16	14
12	16	14	12	Non recommandé

- **Ne poser aucun objet sur le chargeur. Ne pas mettre le chargeur sur une surface molle qui pourrait en bloquer la ventilation et provoquer une surchauffe interne.** Éloigner le chargeur de toute source de chaleur. Le chargeur dispose d'orifices d'aération sur le dessus et le dessous du boîtier.
- **Ne pas le faire fonctionner avec un cordon d'alimentation ou une fiche endommagée**—les remplacer immédiatement.
- **Ne pas utiliser le chargeur s'il a reçu un coup, fait une chute ou a été endommagé de quelque façon que ce soit.** Le ramener dans un centre de réparation agréé.
- **Ne pas démonter le chargeur. Pour tout service ou réparation, le rapporter dans un centre de réparation agréé.** Le fait de le réassembler de façon incorrecte comporte des risques de chocs électriques, d'électrocution et d'incendie.
- **Débrancher le chargeur du secteur avant tout entretien. Cela réduira tout risque de chocs électriques.** Le fait de retirer le bloc-piles ne réduira pas ces risques.
- **NE JAMAIS tenter de connecter 2 chargeurs ensemble.**
- **Le chargeur a été conçu pour être alimenté en courant électrique domestique standard de 120 volts. Ne pas tenter de l'utiliser avec toute autre tension.** Cela ne s'applique pas aux chargeurs de postes mobiles.



AVERTISSEMENT : risques de chocs électriques. Ne laisser aucun liquide pénétrer dans le chargeur, des chocs électriques pourraient en résulter.



AVERTISSEMENT : risques de brûlure. Ne submerger le bloc-piles dans aucun liquide et le protéger de toute infiltration de liquide. Ne jamais tenter d'ouvrir le bloc-piles pour quelque raison que ce soit. Si le boîtier plastique du bloc-piles est brisé ou fissuré, le retourner dans un centre de réparation pour y être recyclé.



ATTENTION : risques de brûlure. Pour réduire tout risque de dommages corporels, ne recharger que des blocs-piles rechargeables DEWALT out autre type de piles pourrait exploser et causer des dommages corporels et matériels.



ATTENTION : sous certaines conditions, lorsque le chargeur est connecté au bloc d'alimentation, des matériaux étrangers pourraient court-circuiter le chargeur. Les corps étrangers conducteurs tels que

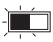








(mais pas limité à) poussières de rectification, débris métalliques, laine d'acier, feuilles d'aluminium, ou toute accumulation de particules métalliques doivent être maintenus à distance des orifices du chargeur. Débrancher systématiquement le chargeur lorsque le bloc-piles n'y est pas inséré. Débrancher systématiquement le chargeur avant tout entretien.

Chargement du bloc-piles

REMARQUE : afin d'assurer la performance et la vie maximales des blocs-piles au lithium-ion, chargez complètement le bloc-pile avant la première utilisation.

1. Branchez le chargeur dans une prise appropriée avant d'insérer le bloc-piles.
2. Branchez le chargeur et le bloc-piles en vous assurant que le bloc-piles est bien mis en place. Le voyant rouge (chargement) clignotera sans cesse indiquant que le processus de chargement est commencé.
3. La fin de la recharge sera indiquée par le voyant qui demeurera allumé de façon continue. Le bloc-piles est complètement chargé et peut être retiré utilisé à ce moment ou laissé dans le chargeur.

REMARQUE : pour retirer le bloc-piles, on doit appuyer sur le bouton de libération du bloc-piles sur certains chargeurs

Indicateurs	
 Bloc-piles en Cours de Chargement	 
 Bloc-piles Chargé	 
 Suspension de Charge Contre le Chaud/Froid*	 

***DCB107, DCB112, DCB113, DCB115, DCB118, DCB132:**

le voyant rouge ne cessera de clignoter, mais un voyant jaune restera allumé pendant cette opération. Lorsque le bloc-piles aura repris une température appropriée, le voyant jaune s'éteindra et le chargeur reprendra sa procédure de charge.

Le chargeur ne pourront recharger des blocs-piles défectueux. Le chargeur qui refuse de s'allumer peut indiquer un problème avec le chargeur ou le bloc-piles défectueux.

REMARQUE : si le chargeur ne se met pas en fonction, faites tester le chargeur et le bloc-piles à un centre de service autorisé.

Laisser le Bloc-Piles dans le Chargeur

Le chargeur et son bloc-piles peuvent rester connectés, le voyant du chargeur affichant alors bloc-piles chargé.

Fonction de suspension de charge contre le chaud/froid

Lorsque le chargeur détecte un bloc-piles trop chaud ou trop froid, il démarre automatiquement la fonction de suspension de charge contre le chaud, suspendant le chargement jusqu'à ce que le bloc-piles ait repris une température appropriée. Le chargeur ensuite se remettra automatiquement en mode de chargement.

Cette caractéristique assure aux blocs-piles une durée de vie maximale.

Un bloc-piles froid peut recharger moins vite qu'un bloc-piles chaud.

Le chargeur DCB118 est équipé d'un ventilateur interne destiné à refroidir le bloc-piles. Le ventilateur se mettra automatiquement en marche chaque fois que le bloc-piles aura besoin de se refroidir.

N'utilisez jamais le chargeur si le ventilateur ne fonctionne pas correctement ou si ses fentes d'aération sont bloquées. Protégez systématiquement l'intérieur du chargeur de tout objet étranger.

Système de protection électronique

Les appareils au Li-Ion sont équipés d'un système électronique de protection pour protéger les blocs-piles de toute surcharge, surchauffe ou fuite importante.

L'appareil s'arrêtera automatiquement dès que le système électronique de protection sera activé. Si c'était le cas, placez le bloc-piles au lithium-ion sur son chargeur jusqu'à ce qu'il soit complètement rechargé.

Remarques importantes concernant le chargement

1. Pour augmenter la durée de vie du bloc-piles et optimiser son rendement, le recharger à une température ambiante de 18 °C à 24 °C (65 °F à 75 °F). NE PAS charger lorsque le bloc-piles est en dessous de +4,5 °C (+40 °F) ou au-dessus de +40 °C (+104 °F). C'est important pour prévenir tout dommage sérieux au bloc-piles.
2. Le chargeur et son bloc-piles peuvent devenir chauds au toucher pendant la charge. C'est normal et ne représente en aucun cas une défaillance du produit. Pour faciliter le refroidissement du bloc-piles après utilisation, évitez de laisser le chargeur ou le bloc-piles dans un local où la température ambiante est élevée comme dans un hangar métallique ou une remorque non isolée.
3. Si le bloc-piles ne se recharge pas correctement :
 - a. Vérifier le bon fonctionnement de la prise en y branchant une lampe ou tout autre appareil électrique.
 - b. Vérifier que la prise n'est pas contrôlée par un interrupteur qui coupe le courant lorsqu'on éteint les lumières.
 - c. Déplacer le chargeur et le bloc-piles dans un local où la température ambiante se trouve entre environ 18 °C et 24 °C (65 °F et 75 °F).
 - d. Si le problème persiste, amener l'outil, le bloc-piles et son chargeur dans un centre de réparation local.
4. Recharger le bloc-piles lorsqu'il ne produit plus assez de puissance pour effectuer un travail qu'il faisait facilement auparavant. NE PAS CONTINUER à l'utiliser dans ces conditions. Suivre la procédure de charge. Si nécessaire, il est aussi possible de recharger

un bloc-piles partiellement déchargé sans effet nuisible sur le bloc-piles.

- Les corps étrangers conducteurs tels que (mais pas limité à) poussières de rectification, débris métalliques, laine d'acier, feuilles d'aluminium, ou toute accumulation de particules métalliques doivent être maintenus à distance des orifices du chargeur. Débrancher systématiquement le chargeur lorsque le bloc-piles n'y est pas inséré. Débrancher systématiquement le chargeur avant tout entretien.
- Ne pas congeler ou immerger le chargeur dans l'eau ou tout autre liquide.

Instructions d'entretien du chargeur



AVERTISSEMENT : risques de chocs électriques. Débrancher le chargeur de la prise de courant alternatif avant tout entretien. Éliminer toute saleté ou graisse de la surface externe du chargeur à l'aide d'un chiffon ou d'une brosse non métallique douce. N'utiliser ni eau ni aucun nettoyant liquide.

Installation murale

DCB107, DCB112, DCB113, DCB115, DCB118, DCB132

Ces chargeurs ont été conçus pour une installation murale ou pour être posés sur une table ou une surface de travail. Pour une fixation murale, installez le chargeur à proximité d'une prise électrique, et à l'écart de coins ou de toute autre obstruction au passage de l'air. Utilisez l'arrière du chargeur pour marquer l'emplacement des vis de montage sur le mur. Fixez soigneusement le chargeur à l'aide de vis autoforeuses (vendues séparément) d'au moins 25,4 mm (1 po) de long, et de diamètre de tête de 7–9 mm (0,28–0,35 po), que vous visserez dans le bois en laissant une longueur optimale d'environ 5,5 mm (7/32 po) exposée. Alignez les orifices à l'arrière du chargeur sur les vis exposées et insérez à fond ces dernières dans les orifices.

Usage Prévu

Cette scie alternative a été conçue pour le sciage professionnel.

NE PAS les utiliser en milieu ambiant humide ou en présence de liquides ou de gaz inflammables.

Cette scie alternative est un outil électrique de professionnels.

NE PAS le laisser à la portée des enfants. Une supervision est nécessaire auprès de tout utilisateur non expérimenté.

ASSEMBLAGE ET AJUSTEMENTS



AVERTISSEMENT : afin de réduire le risque de blessure corporelle, éteignez l'appareil et retirez le bloc-piles avant d'effectuer tout ajustement ou de retirer/installer des pièces ou des accessoires. Un déclenchement accidentel du démarrage peut causer des blessures.



AVERTISSEMENT : risque decoupeure. Arrêter et débrancher l'outil avant d'effectuer un réglage ou de retirer ou d'installer une pièce ou un accessoire.



AVERTISSEMENT : risque decoupeure. Un bris de lame est possible si la lame ne dépasse pas la semelle pivotante et la pièce en cours de coupe. Un bris de lame représente un risque accru de blessures personnelles ainsi que de dommages à la semelle pivotante et à la pièce.

Installation et retrait de la lame (Fig. B)

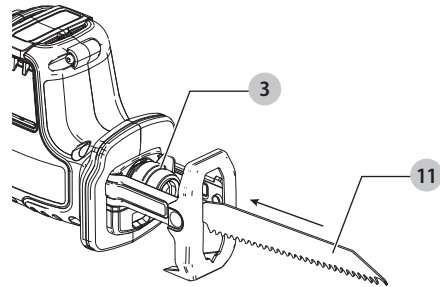
Il existe différentes longueurs de lames. Utiliser la lame appropriée au travail en cours. La longueur de la lame doit être supérieure à 89 mm (3–1/2 po) et dépasser la grandeur du patin et l'épaisseur de la pièce à découper. Ne pas utiliser de lames à scie sauteuse avec cet outil.

Pour installer la lame dans la scie

- Tournez pour ouvrir complètement le serre-lame **3**.
- Insérez entièrement la lame **11** dans le serre-lame.
- Relâchez le serre-lame. Vérifiez pour s'assurer que la lame est maintenue solidement.

REMARQUE : la lame s'insère aussi en position inverse pour aider à couper bien ras.

Fig. B



Pour retirer la lame de la scie (Fig. B)



AVERTISSEMENT : risque de brûlure. Ne pas toucher à la lame immédiatement après usage. Un contact avec la lame risque de provoquer une blessure corporelle.

- Tournez pour ouvrir complètement le serre-lame **3**.
- Déposer la lame **11**.

Crochet de ceinture (Fig. C)



AVERTISSEMENT : pour réduire tout risque de dommages corporels graves, suspendre le crochet de ceinture de l'outil UNIQUEMENT à une ceinture porte-outils. Pendant l'utilisation, NE PAS utiliser le crochet de ceinture pour arrimer l'outil à une personne ou à un objet. NE PAS suspendre l'outil au-dessus de la tête, ou suspendre des objets au crochet de ceinture.



AVERTISSEMENT : pour réduire tout risque de dommages corporels graves, s'assurer que la vis maintenant le crochet de ceinture est bien resserrée.



AVERTISSEMENT : avant de suspendre l'outil à la ceinture de travail, retirez TOUJOURS la lame et assurez-vous que le bouton de verrouillage est

FRANÇAIS

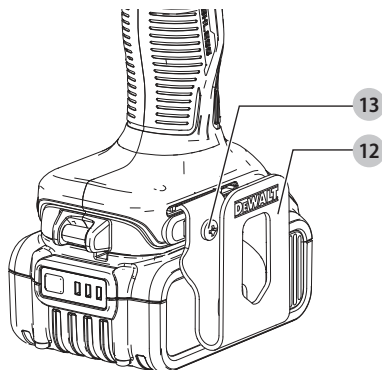
en position verrouillée afin d'éviter un démarrage non intentionnel.

IMPORTANT : pour rattacher ou remplacer le crochet de ceinture **12**, utiliser systématiquement la vis **13** fournie à cet effet. S'assurer de resserrer fermement la vis.

L'agrafe pour courroie **12** peut être fixée sur un côté ou l'autre de l'outil utilisant seulement la vis fournie **13** pour accommoder les utilisateurs droitiers ou gauchers. Si vous ne voulez pas du tout de l'agrafe pour courroie, vous pouvez la retirer de l'outil.

Pour déplacer le crochet de ceinture, retirez la vis les maintenant en place puis réassemblez-les sur le côté opposé. Assurez-vous de resserrer fermement la vis.

Fig. C



FONCTIONNEMENT

AVERTISSEMENT : afin de réduire le risque de blessure corporelle, éteignez l'appareil et retirez le bloc-piles avant d'effectuer tout ajustement ou de retirer/installer des pièces ou des accessoires. Un déclenchement accidentel du démarrage peut causer des blessures.

Installation et retrait du bloc-piles (Fig. D)

REMARQUE : pour des résultats optimaux, s'assurer que le bloc-piles est complètement chargé.

Pour installer le bloc-piles **6** dans la poignée de l'outil, alignez le bloc-piles sur les rails dans la poignée de l'outil et faites-le glisser fermement en place puis vérifiez qu'il ne s'en détachera pas.

Pour retirer le bloc-piles de l'outil, poussez sur le bouton de libération **7** et tirez fermement le bloc-piles hors de la poignée de l'outil. Insérez-le dans son chargeur comme décrit dans la section appropriée de ce manuel.

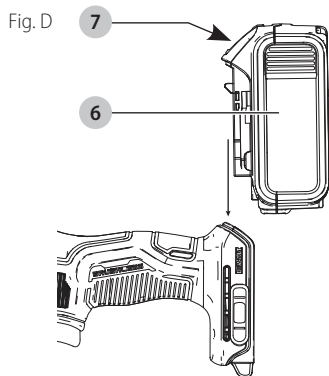


Fig. D

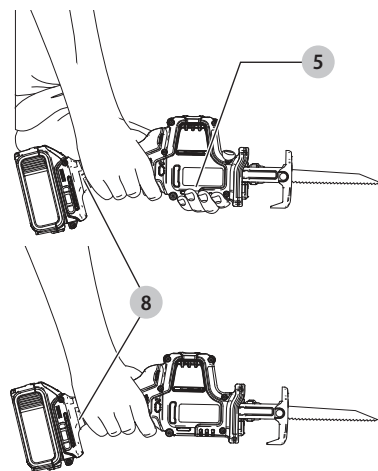
Position correcte des mains (Fig. E)

AVERTISSEMENT : pour réduire tout risque de dommages corporels graves, adopter **SYSTÉMATIQUEMENT** la position des mains illustrée.

AVERTISSEMENT : pour réduire tout risque de dommages corporels graves, maintenir **SYSTÉMATIQUEMENT** l'outil fermement pour anticiper toute réaction soudaine.

Une position des mains appropriée nécessite une main sur la poignée principale **8** et une main sur la poignée de saisie **5** ou une main sur la poignée principale avec le matériau étant coupé bien serré.

Fig. E



Lampe de travail (Fig. A)

ATTENTION : ne pas regarder directement le faisceau de la lampe. Risque de lésions oculaires graves.

Une lampe de travail **9** est située sur le pied de l'outil. La lampe de travail est activée lorsque la gâchette est activée, et restera allumée un court moment une fois la gâchette relâchée. Tant que la gâchette reste activée, la lampe de travail reste allumée.

REMARQUE : la lampe de travail permet d'éclairer la surface immédiate et n'est pas destinée à servir de lampe de poche.

Gâchette à vitesse variable (Fig. A, F)

Bouton de Verrouillage et Gâchette

Votre scie est équipée d'un bouton de verrouillage **2**.

Pour verrouiller la gâchette, appuyez sur le bouton de verrouillage à gauche. Toujours verrouiller la gâchette **1** avant de transporter ou ranger l'outil pour éliminer tout démarrage accidentel.

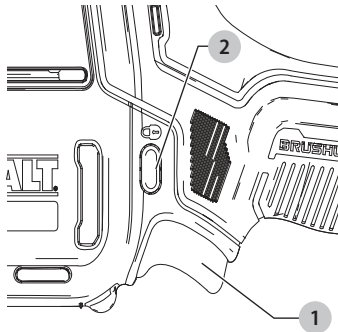
Pour déverrouiller la gâchette, appuyez sur le bouton de verrouillage à droite. Pousser la gâchette pour mettre le moteur en marche. Dégager la gâchette pour arrêter le moteur.

AVERTISSEMENT : cet outil n'est pas équipé d'un bouton de verrouillage pour le maintenir en position de marche, et ne doit en aucune manière être verrouillé par tout autre moyen.

La gâchette à vitesse variable offre une grande versatilité. Plus loin la gâchette est poussée plus grande est la vitesse atteinte par la scie.

ATTENTION : la vitesse très lente n'est recommandée que pour débiter une coupe. L'utilisation prolongée d'une vitesse lente pourrait endommager la scie.

Fig. F

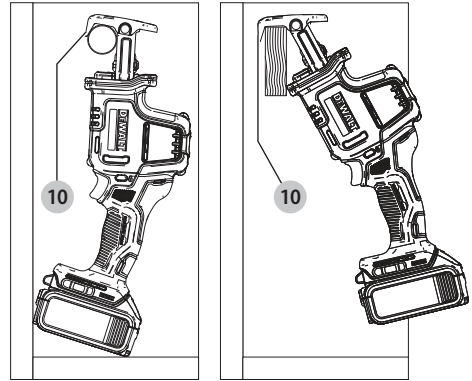


Taquet de suspension (Fig. A, G)

Le patin pivotant **4** comporte un taquet de suspension **10** qui peut être utilisé pour suspendre l'outil à partir d'un matériau 2 x 4 nord-américain et de tuyaux. Pour suspendre l'outil, placez l'outil avec le taquet sur le dessus du matériau comme illustré dans la Fig. G.

REMARQUE : Si vous utilisez le taquet de suspension pour suspendre l'outil à partir d'un tuyau ou d'un autre matériel arrondi, assurez-vous que le pied de l'outil est soutenu par le mur ou un autre matériel pour empêcher l'outil de se balancer.

Fig. G



Coupe (Fig. A, B, E)

La lame **11** doit s'étendre au-delà du sabot ajustable **4** et l'épaisseur de la pièce de travail durant la coupe.

Sélectionner la meilleure lame pour le matériau à couper et utiliser la lame la plus courte possible adéquate pour l'épaisseur du matériau. Ne pas utiliser de lames pour scie sauteuse avec cet outil.

REMARQUE : avant de couper tout matériau, s'assurer que ce dernier est bien ancré ou serré dans un étau pour éviter tout glissement.

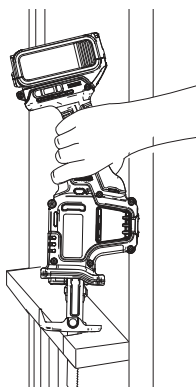
- Appuyer légèrement la lame **11** et la semelle pivotante **4** contre la pièce à couper.
- Mettre le moteur de la scie en marche et attendre pour atteindre la vitesse maximale avant d'exercer une pression.
- Tenez toujours la scie comme illustré dans la Figure E. Autant que possible, la semelle pivotante de la scie doit être solidement appuyée contre le matériau à couper. Cela évitera tout écart ou vibration de la scie et minimisera le bris de lame.

Coupe à ras (Fig. H)

Le modèle compact du boîtier du moteur et de la semelle pivotante de la scie alternative permet une coupe à ras aux planchers, dans les coins et dans tous les autres endroits difficiles d'accès.

1. Pour accroître la possibilité de coupe à ras, insérer l'arbre de la lame dans la bride de lame de manière à ce que les dents de la lame soient vers le haut.
2. Inverser la scie de manière à être aussi près que possible de la surface de la pièce.

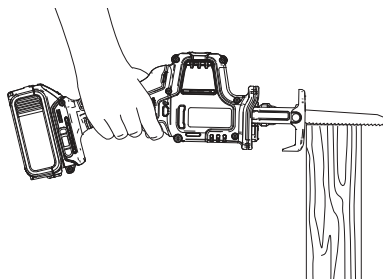
Fig. H



Coupe du bois (Fig. I)

1. Avant de couper tout type de bois, s'assurer que la pièce est bien ancrée ou serrée dans un étau pour éviter tout glissement.
2. Appuyer légèrement la lame et la semelle pivotante contre la pièce à couper.
3. Mettre en marche le moteur de la scie avant d'appliquer toute pression.
4. Tenez toujours la scie comme illustré dans la Figure E pendant la coupe. Autant que possible, la semelle pivotante doit être solidement appuyée contre le matériau à couper. Cela évite tout écart ou vibration de la scie et réduira le bris de lame.

Fig. I

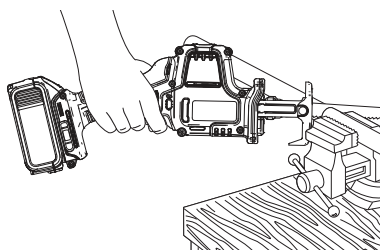


Coupe de métaux (Fig. J)

1. Utiliser une lame plus fine pour les métaux ferreux et une lame pour grossière pour les matériaux non ferreux.
2. Pour la tôle de fin calibre, il est préférable de serrer un morceau de bois au dessous de la tôle. Cela permet d'assurer une coupe nette sans vibration excessive ou déchirure de la tôle.
3. Éviter de forcer la lame de coupe, car cela réduit sa durée de vie et provoque des bris de lame coûteux.

REMARQUE : il serait mieux d'étendre un mince film d'huile ou de tout autre fluide de refroidissement le long de la ligne devant le trait de scie pour faciliter le fonctionnement de l'outil et accroître la durée de vie de la lame. Il est préférable d'utiliser du kérosène pour couper l'aluminium.

Fig. J



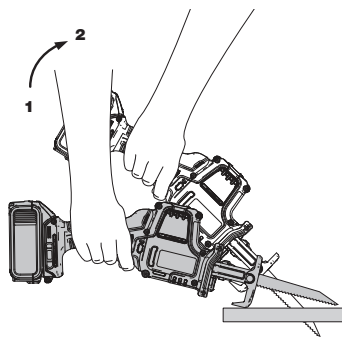
Découpe en poche – bois seulement (Fig. K)

Mesurer la zone à couper et la marquer clairement avec un crayon, une craie ou une pointe à tracer.

1. Insérer la lame dans sa bride, puis bien serrer cette dernière.
2. Incliner la scie vers l'arrière jusqu'à ce que le bord arrière de la semelle pivotante repose contre la pièce.
3. Mettre le moteur en marche et laisser la lame atteindre sa vitesse maximale.
4. Saisir la poignée de la scie de manière constante et imprimer un mouvement ascendant lent.
5. La lame pénétrera dans le matériau. Toujours s'assurer que la lame a bien transpercé tout le matériau avant de continuer la coupe en poche.

REMARQUE : dans les endroits où la visibilité de la lame est limitée, utiliser le bord de la semelle pivotante comme guide.

Fig. K



Conseils pour les projets

- Effectuer une coupe uniquement au moyen de lames affûtées, la coupe est plus nette, plus rapide et l'effort subi par le moteur est moindre durant la coupe.
- Pour effectuer une coupe, toujours s'assurer que la semelle pivotante repose contre la pièce. Cela permet à l'opérateur d'avoir une plus grande maîtrise et de réduire les vibrations.
- Pour assurer une durée de vie accrue à la lame, utiliser des lames bimétalliques. Cette lame est constituée d'acier au carbone soudé à l'envers sur les dents en acier à coupe rapide, ce qui rend la lame plus flexible et donc moins sujette à se briser.

MAINTENANCE



AVERTISSEMENT : afin de réduire le risque de blessure corporelle, éteignez l'appareil et retirez le bloc-piles avant d'effectuer tout ajustement ou de retirer/installer des pièces ou des accessoires. Un déclenchement accidentel du démarrage peut causer des blessures.

Nettoyage



AVERTISSEMENT : enlever les saletés et la poussière hors des événements au moyen d'air comprimé propre et sec, au moins une fois par semaine. Pour minimiser le risque de blessure aux yeux, toujours porter une protection oculaire conforme à la norme ANSI Z87.1 lors du nettoyage.



AVERTISSEMENT : ne jamais utiliser de solvants ni d'autres produits chimiques puissants pour nettoyer les pièces non métalliques de l'outil. Ces produits chimiques peuvent affaiblir les matériaux de plastique utilisés dans ces pièces. Utiliser un chiffon humecté uniquement d'eau et de savon doux. Ne jamais laisser de liquide pénétrer dans l'outil et n'immerger aucune partie de l'outil dans un liquide.

Accessoires



AVERTISSEMENT : puisque les accessoires autres que ceux offerts par DeWALT n'ont pas été testés avec ce produit, leur utilisation pourrait s'avérer dangereuse. Pour réduire le risque de blessures, utiliser exclusivement les accessoires DeWALT recommandés avec le présent produit.

Les accessoires recommandés pour cet outil sont vendus séparément au centre de service de votre région. Pour obtenir de l'aide concernant l'achat d'un accessoire, communiquer avec DeWALT, composer le 1 800 433-9258 (1 800 4-DeWALT) ou visiter notre site Web : www.dewalt.com.

Réparations

Le chargeur et le bloc-piles ne sont pas réparables. Le chargeur ou le bloc-piles ne comportent aucune pièce réparable.



AVERTISSEMENT : pour assurer la SÉCURITÉ et la FIABILITÉ du produit, les réparations, l'entretien et les réglages doivent être réalisés (cela comprend l'inspection et le remplacement du balai, le cas échéant) par un centre de réparation en usine DeWALT ou un centre de réparation agréé DeWALT. Toujours utiliser des pièces de rechange identiques.

Registre en ligne

Merci pour votre achat. Enregistrez dès maintenant votre produit :

- **RÉPARATIONS SOUS GARANTIE :** cette carte remplie vous permettra de vous prévaloir du service de réparations sous garantie de façon plus efficace dans le cas d'un problème avec le produit.
- **CONFIRMATION DE PROPRIÉTÉ :** en cas de perte provoquée par un incendie, une inondation ou un vol, cette preuve de propriété vous servira de preuve auprès de votre compagnie d'assurances.
- **SÉCURITÉ :** l'enregistrement de votre produit nous permettra de communiquer avec vous dans l'éventualité peu probable de l'envoi d'un avis de sécurité régi par la loi fédérale américaine de la protection des consommateurs.
- Registre en ligne à www.dewalt.com

Garantie limitée de trois ans

DeWALT réparera ou remplacera sans frais tout appareil défectueux pour cause de défaut de matériau ou de main-d'œuvre sur une période de trois ans à partir de la date d'achat de l'outil (deux ans pour les bloc-piles). Cette garantie ne couvre pas les pièces en panne pour cause d'abus ou d'usure normale de l'outil. Pour plus de détails au sujet de la couverture de la garantie et l'information de réparation sous garantie, visitez www.dewalt.com ou composez le 1-800-4-DeWALT (1-800-433-9258). Cette garantie ne s'applique pas aux accessoires ou dommages causés par des réparations effectuées ou tentées par d'autres. CETTE GARANTIE REMPLACE TOUTES LES AUTRES, INCLUANT LES GARANTIES IMPLICITES DE LA QUALITÉ MARCHANDE ET L'APTITUDE POUR UN BUT PARTICULIER, ET EXCLUT TOUTS LES DOMMAGES ACCIDENTELS OU CONSÉCUTIFS. Certaines provinces ne permettent pas de limitation sur la durée de la garantie implicite ou l'exclusion ou la limitation de dommages indirects, alors ces limitations peuvent ne pas s'appliquer à vous. Cette garantie vous donne des droits légaux particuliers et vous pouvez avoir d'autres droits qui varient selon les états ou les provinces. En plus de la présente garantie, les outils DeWALT sont couverts par notre

CONTRAT D'ENTRETIEN GRATUIT D'UN AN

DeWALT entretiendra l'outil et remplacera les pièces usées au cours d'une utilisation normale et ce, gratuitement, pendant une période d'un an à compter de la date d'achat.

CONTRAT D'ENTRETIEN GRATUIT DE DEUX ANS SUR LES BLOC-PILES DeWALT

DC9071, DC9091, DC9096, DC9182, DC9280, DC9360, DCB120, DCB122, DCB124, DCB127, DCB201, DCB203BT, DCB207, DCB361

CONTRAT D'ENTRETIEN GRATUIT DE TROIS ANS SUR LES BLOC-PILES DeWALT

DCB200, DCB203, DCB204, DCB204BT, DCB205, DCB205BT, DCB206, DCB230, DCB606, DCB609, DCB612

FRANÇAIS

REMARQUE : la garantie de ce produit sera annulée si le bloc-piles a été altéré de quelque façon que ce soit. DEWALT ne peut être tenu responsable de tout dommage corporel causé par l'altération du produit et pourra poursuivre toute fraude en matière de garantie dans toute l'étendue permise par la loi.

GARANTIE DE REMBOURSEMENT DE 90 JOURS

Si l'acheteur n'est pas entièrement satisfait, pour quelque raison que ce soit, du rendement de l'outil électrique ou de la cloueuse DEWALT, celui-ci peut le retourner, accompagné d'un reçu, dans les 90 jours à compter de la date d'achat pour obtenir un remboursement intégral, sans aucun problème.

AMÉRIQUE LATINE : cette garantie ne s'applique aux produits vendus en Amérique latine. Pour ceux-ci, veuillez consulter les informations relatives à la garantie spécifique présente dans l'emballage, appeler l'entreprise locale ou consulter le site Web pour les informations relatives à cette garantie.

REMPACEMENT GRATUIT DES ÉTIQUETTES

D'AVERTISSEMENT : si les étiquettes d'avertissement deviennent illisibles ou sont manquantes, composer le 1-800-4-DEWALT (1-800-433-9258) pour en obtenir le remplacement gratuit.

** La tension initiale maximum du bloc-piles (mesurée à vide) est de 12, 20, 60 ou 120 volts. La tension nominale est de 10,8, 18, 54 ou 108. (120 V max* se base sur l'utilisation combinée de 2 blocs-piles au lithium ion DEWALT de 60 V max*).*

Definiciones: Símbolos y Palabras de Alerta de Seguridad

Este manual de instrucciones utiliza los siguientes símbolos y palabras de alerta de seguridad para alertarle de situaciones peligrosas y del riesgo de lesiones corporales o daños materiales.



PELIGRO: Indica una situación de peligro inminente que, si no se evita, provocará **la muerte o lesiones graves**.



ADVERTENCIA: Indica una situación de peligro potencial que, si no se evita, **podría** provocar **la muerte o lesiones graves**.



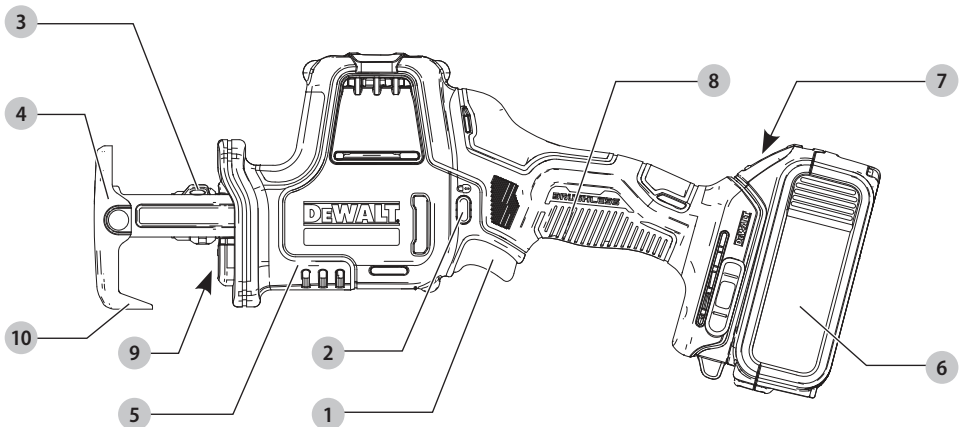
ATENCIÓN: Indica una situación de peligro potencial que, si no se evita, **posiblemente** provocaría **lesiones leves o moderadas**.



(Utilizado sin palabras) indica un mensaje de seguridad relacionado.

AVISO: Se refiere a una práctica **no relacionada a lesiones corporales** que de no evitarse **puede** resultar en **daños a la propiedad**.

Fig. A



- 1 Interruptor de gatillo de velocidad variable
- 2 Botón de bloqueo
- 3 Palanca de liberación de la abrazadera de la hoja
- 4 Zapata de pivote
- 5 Empuñadura
- 6 Unidad de batería
- 7 Botón de liberación de la batería
- 8 Mango principal
- 9 Luz de trabajo
- 10 Tapón para colgar



ADVERTENCIA: Lea todas las advertencias de seguridad e instrucciones. El incumplimiento de las advertencias e instrucciones puede provocar descargas eléctricas, incendios o lesiones graves.



ADVERTENCIA: Para reducir el riesgo de lesiones, lea el manual de instrucciones.

Si tiene alguna duda o algún comentario sobre ésta u otra herramienta DeWALT llámenos al número gratuito: (1-800-433-9258).

Sierra Recíproca Compacta 20 V Máx* DCS369

ADVERTENCIAS GENERALES DE SEGURIDAD PARA HERRAMIENTAS ELÉCTRICAS



ADVERTENCIA: Lea todas las advertencias de seguridad, instrucciones, ilustraciones y especificaciones incluidas con esta herramienta eléctrica. La falla en seguir todas las instrucciones siguientes puede resultar en descarga eléctrica, incendio y/o lesiones serias.

CONSERVE TODAS LAS ADVERTENCIAS E INSTRUCCIONES PARA FUTURAS CONSULTAS

El término "herramienta eléctrica" incluido en las advertencias hace referencia a las herramientas eléctricas operadas con corriente (con cable eléctrico) o a las herramientas eléctricas operadas con baterías (inalámbricas).

1) Seguridad en el Área de Trabajo

- Mantenga el área de trabajo limpia y bien iluminada.** Las áreas abarrotadas y oscuras propician accidentes.
- No opere las herramientas eléctricas en atmósferas explosivas, como ambientes donde haya polvo, gases o líquidos inflamables.** Las herramientas eléctricas originan chispas que pueden encender el polvo o los vapores.
- Mantenga alejados a los niños y a los espectadores de la herramienta eléctrica en funcionamiento.** Las distracciones pueden provocar la pérdida de control.

2) Seguridad Eléctrica

- Los enchufes de la herramienta eléctrica deben adaptarse al tomacorriente. Nunca modifique el enchufe de ninguna manera. No utilice ningún enchufe adaptador con herramientas eléctricas con conexión a tierra.** Los enchufes no modificados y que se adaptan a los tomacorrientes reducirán el riesgo de descarga eléctrica.
- Evite el contacto corporal con superficies con descargas a tierra como, por ejemplo, tuberías, radiadores, cocinas eléctricas y refrigeradores.** Existe mayor riesgo de descarga eléctrica si su cuerpo está puesto a tierra.
- No exponga las herramientas eléctricas a la lluvia o a condiciones de humedad.** Si entra agua a una herramienta eléctrica, aumentará el riesgo de descarga eléctrica.
- No maltrate el cable. Nunca utilice el cable para transportar, tirar o desenchufar la herramienta eléctrica. Mantenga el cable alejado del calor, el aceite, los bordes filosos y las piezas móviles.** Los cables dañados o enredados aumentan el riesgo de descarga eléctrica.

- Al operar una herramienta eléctrica en el exterior, utilice un cable prolongador adecuado para tal uso.** Utilice un cable adecuado para uso en exteriores a fin de reducir el riesgo de descarga eléctrica.
- Si el uso de una herramienta eléctrica en un lugar húmedo es imposible de evitar, utilice un suministro protegido con un interruptor de circuito por falla a tierra (GFCI).** El uso de un GFCI reduce el riesgo de descargas eléctricas.

3) Seguridad Personal

- Permanezca alerta, controle lo que está haciendo y utilice el sentido común cuando emplee una herramienta eléctrica. No utilice una herramienta eléctrica si está cansado o bajo el efecto de drogas, alcohol o medicamentos.** Un momento de descuido mientras se opera una herramienta eléctrica puede provocar lesiones personales graves.
- Utilice equipos de protección personal. Siempre utilice protección para los ojos.** En las condiciones adecuadas, el uso de equipos de protección, como máscaras para polvo, calzado de seguridad antideslizante, cascos o protección auditiva, reducirá las lesiones personales.
- Evite el encendido por accidente. Asegúrese de que el interruptor esté en la posición de apagado antes de conectarlo a la fuente de energía o paquete de baterías, o antes de levantar o transportar la herramienta.** Transportar herramientas eléctricas con el dedo apoyado en el interruptor o enchufar herramientas eléctricas con el interruptor en la posición de encendido puede propiciar accidentes.
- Retire la clavija de ajuste o la llave de tuercas antes de encender la herramienta eléctrica.** Una llave de tuercas o una clavija de ajuste que quede conectada a una pieza giratoria de la herramienta eléctrica puede provocar lesiones personales.
- No se estire. Conserve el equilibrio y párese adecuadamente en todo momento.** Esto permite un mejor control de la herramienta eléctrica en situaciones inesperadas.
- Use la vestimenta adecuada. No use ropas holgadas ni joyas. Mantenga el cabello, la ropa y los guantes alejados de las piezas en movimiento.** Las ropas holgadas, las joyas o el cabello largo pueden quedar atrapados en las piezas en movimiento.
- Si se suministran dispositivos para la conexión de accesorios con fines de recolección y extracción de polvo, asegúrese de que estén conectados y que se utilicen correctamente.** El uso de dispositivos de recolección de polvo puede reducir los peligros relacionados con el polvo.

- h) **No permita que la familiaridad obtenida a partir del uso frecuente de herramientas le permitan volverse descuidado e ignorar los principios de seguridad de la herramienta.** Una acción descuidada puede causar lesiones severas en una fracción de segundo.

4) Uso y Mantenimiento de la Herramienta Eléctrica

- a) **No fuerce la herramienta eléctrica. Utilice la herramienta eléctrica correcta para el trabajo que realizará.** Si se la utiliza a la velocidad para la que fue diseñada, la herramienta eléctrica correcta permite trabajar mejor y de manera más segura.
- b) **No utilice la herramienta eléctrica si no puede encenderla o apagarla con el interruptor.** Toda herramienta eléctrica que no pueda ser controlada mediante el interruptor es peligrosa y debe repararse.
- c) **Desconecte el enchufe de la fuente de alimentación y/o retire la batería, o paquete si es desmontable, de la herramienta eléctrica antes de realizar cualquier ajuste, cambiar accesorios o almacenar herramientas eléctricas.** Estas medidas de seguridad preventivas reducen el riesgo de encender la herramienta eléctrica en forma accidental.
- d) **Guarde la herramienta eléctrica que no esté en uso fuera del alcance de los niños y no permita que otras personas no familiarizadas con ella o con estas instrucciones operen la herramienta.** Las herramientas eléctricas son peligrosas si son operadas por usuarios no capacitados.
- e) **Dé mantenimiento a las herramientas eléctricas y accesorios.** Revise que no haya piezas en movimiento mal alineadas o trabadas, piezas rotas o cualquier otra situación que pueda afectar el funcionamiento de la herramienta eléctrica. Si encuentra daños, haga reparar la herramienta eléctrica antes de utilizarla. Se producen muchos accidentes a causa de las herramientas eléctricas que carecen de un mantenimiento adecuado.
- f) **Mantenga las herramientas de corte afiladas y limpias.** Las herramientas de corte con mantenimiento adecuado y con los bordes de corte afilados son menos propensas a trabarse y son más fáciles de controlar.
- g) **Utilice la herramienta eléctrica, los accesorios y las brocas de la herramienta, etc. de acuerdo con estas instrucciones y teniendo en cuenta las condiciones de trabajo y el trabajo que debe realizarse.** El uso de la herramienta eléctrica para operaciones diferentes de aquéllas para las que fue diseñada podría originar una situación peligrosa.
- h) **Mantenga las manijas y superficies de sujeción secas, limpias y libres de aceite y grasa.** Las manijas y superficies de sujeción resbalosas

no permiten el manejo y control seguros de la herramienta en situaciones inesperadas.

5) Uso y Mantenimiento de la Herramienta con Baterías

- a) **Recargue solamente con el cargador especificado por el fabricante.** Un cargador adecuado para un tipo de paquete de baterías puede originar riesgo de incendio si se utiliza con otro paquete de baterías.
- b) **Utilice herramientas eléctricas sólo con paquetes de baterías específicamente diseñados.** El uso de cualquier otro paquete de baterías puede producir riesgo de incendio y lesiones.
- c) **Cuando no utilice el paquete de baterías, manténgalo lejos de otros objetos metálicos como sujetapapeles, monedas, llaves, clavos, tornillos u otros objetos metálicos pequeños que puedan realizar una conexión desde un terminal al otro.** Los cortocircuitos en los terminales de la batería pueden provocar quemaduras o incendio.
- d) **En condiciones abusivas, el líquido puede ser expulsado de la batería. Evite su contacto. Si entra en contacto accidentalmente, enjuague con agua. Si el líquido entra en contacto con los ojos, busque atención médica.** El líquido expulsado de la batería puede provocar irritación o quemaduras.
- e) **No use un paquete de batería o herramienta que estén dañados o modificados.** Las baterías dañadas o modificadas pueden presentar un comportamiento impredecible que resulte en incendios, explosión o riesgo de lesiones."
- f) **No exponga un paquete de batería o una herramienta a fuego o temperatura excesiva.** La exposición a fuego o temperaturas mayores a 129 °C (265 °F) pueden causar una explosión."
- g) **Siga todas las instrucciones de carga y no cargue el paquete de batería o la herramienta fuera del rango de temperatura especificado en las instrucciones.** Cargar inadecuadamente o en una temperatura fuera del rango de temperatura especificado puede dañar la batería e incrementar el riesgo de incendio.

6) Mantenimiento

- a) **Solicite a una persona calificada en reparaciones que realice el mantenimiento de su herramienta eléctrica y que sólo utilice piezas de repuesto idénticas.** Esto garantizará la seguridad de la herramienta eléctrica.
- b) **Nunca dé servicio a paquetes de batería dañados.** El servicio de paquetes de batería sólo debe ser realizado por el fabricante o proveedores de servicio autorizados.

Instrucciones de Seguridad para Sierras

Recíprocas

- **Sujete la herramienta eléctrica de sus superficies aislantes cuando lleve a cabo una operación en que el accesorio de corte pudiera entrar en contacto con un hilo eléctrico oculto.** Los accesorios de corte que entren en contacto con un hilo eléctrico activo podrían hacer que las partes metálicas de la herramienta eléctrica también se activen con electricidad y que el operador sufra una descarga eléctrica.
- **Utilice abrazaderas u otra forma práctica para asegurar y sostener la pieza de trabajo sobre una plataforma estable.** Sostener la pieza de trabajo a mano o contra su cuerpo lo hace inestable y puede guiar a la pérdida de control.



ADVERTENCIA: No opere esta herramienta por largos períodos de tiempo. La vibración causada por la acción de operación de esta herramienta puede causar lesiones permanentes en los dedos, las manos y los brazos. Use guantes para proporcionar un acolchamiento adicional, tome descansos frecuentes y limite el tiempo de uso diario.



ADVERTENCIA: Revise el área de trabajo respecto a cables eléctricos, tuberías de gas o tuberías de agua ocultos antes de hacer cortes ciegos o por inmersión. De lo contrario, se pueden producir descargas eléctricas, incendios, explosiones o daños a la propiedad.

- **Sostenga firmemente la sierra con ambas manos para todas las operaciones de corte.** Durante las operaciones de corte, la cuchilla puede atascarse repentinamente en el trabajo y puede hacer que la sierra retroceda hacia el operador.
- **Mantenga las manos alejadas del área de corte.** Nunca se estire debajo del material por ningún motivo. Sostenga la parte delantera de la sierra sujetando el área de agarre contorneada. No inserte los dedos o el pulgar cerca de la cuchilla recíproca y la abrazadera de la cuchilla. No estabilice la sierra sujetando la zapata.
- **Tenga mucho cuidado al cortar por encima de la cabeza y preste especial atención a los cables voladizos que pueden estar ocultos a la vista.** Anticipe la trayectoria de la caída de ramas y escombros antes de tiempo.
- **Al cortar tuberías o conductos, asegúrese que estén libres de agua, cables eléctricos, etc.**

Instrucción Adicional de Seguridad



ADVERTENCIA: Nunca modifique la herramienta eléctrica, ni tampoco ninguna de sus piezas. Podría producir lesiones corporales o daños.



ADVERTENCIA: Use **SIEMPRE** lentes de seguridad. Los anteojos de diario **NO SON** lentes de seguridad. Utilice además una cubrebocas o mascarilla antipolvo si la operación de corte genera demasiado polvo. **SIEMPRE LLEVE EQUIPO DE SEGURIDAD CERTIFICADO:**

- protección ocular ANSI Z87.1 (CAN/CSA Z94.3),
- protección auditiva ANSI S12.6 (S3.19),
- protección respiratoria NIOSH/OSHA/MSHA.



ADVERTENCIA: Algunas partículas de polvo generadas al lijar, serrar, esmerilar y taladrar con herramientas eléctricas, así como al realizar otras actividades de construcción, contienen químicos que el Estado de California sabe que pueden producir cáncer, defectos congénitos u otras afecciones reproductivas. Ejemplos de estos químicos son:

- plomo de algunas pinturas en base a plomo,
- polvo de sílice proveniente de ladrillos y cemento y otros productos de albañilería, y
- arsénico y cromo provenientes de madera tratada químicamente.

Su riesgo de exposición a estos químicos varía, dependiendo de la frecuencia con la cual realiza usted este tipo de trabajo. Para reducir su exposición a estas sustancias químicas: trabaje en una zona bien ventilada y llevando equipos de seguridad aprobados, como mascarillas antipolvo especialmente diseñadas para filtrar partículas microscópicas.

- **Evite el contacto prolongado con polvo generado por el lijado, aserrado, pulido, taladrado y otras actividades de construcción. Vista ropas protectoras y lave las áreas de la piel expuestas con agua y jabón.** Si permite que el polvo se introduzca en la boca u ojos o quede sobre la piel, puede favorecer la absorción de productos químicos peligrosos.



ADVERTENCIA: La utilización de esta herramienta puede generar polvo o dispersarlo, lo que podría causar daños graves y permanentes al sistema respiratorio, así como otras lesiones. Siempre use protección respiratoria aprobada por NIOSH (Instituto Nacional de Seguridad y Salud en el Trabajo) u OSHA (Administración de Seguridad y Salud en el Trabajo) apropiada para la exposición al polvo. Dirija las partículas en dirección contraria a la cara y el cuerpo.



ADVERTENCIA: Siempre lleve la debida protección auditiva personal en conformidad con ANSI S12.6 (S3.19) durante el uso de esta herramienta. Bajo algunas condiciones y duraciones de uso, el ruido producido por este producto puede contribuir a la pérdida auditiva.



ATENCIÓN: Cuando no esté en uso, guarde la herramienta apoyada en un costado sobre una superficie estable, donde no interrumpa el paso o provoque una caída. Algunas herramientas con paquetes de baterías de gran tamaño pueden colocarse paradas sobre el paquete de baterías, pero pueden caerse fácilmente.

- **Los orificios de ventilación suelen cubrir piezas en movimiento, por lo que también se deben evitar.** Las piezas en movimiento pueden atrapar prendas de vestir sueltas, joyas o el cabello largo.

La etiqueta de su herramienta puede incluir los siguientes símbolos. A continuación se indican los símbolos y sus definiciones:


V..... voltios	~ or AC..... corriente alterna
Hz..... hertz	⎓ or AC/DC... corriente alterna o directa
min..... minutos	⊞..... Construcción de Clase II (doble aislamiento)
— or DC..... direct current	n ₀ velocidad sin carga
⚠..... Construcción de Clase I (tierra)	IPXX..... símbolo IP
.../min..... por minuto	n..... velocidad nominal
BPM..... golpes por minuto	⊕..... terminal de conexión a tierra
IPM..... impactos por minuto	⚠..... símbolo de advertencia de seguridad
RPM..... revoluciones por minuto	⚠..... radiación visible
sfpn..... pies de superficie por minuto	☉..... protección respiratoria
SPM..... pasadas por minuto	☉..... protección ocular
OPM..... oscilaciones por minuto	☉..... protección auditiva
A..... amperios	📄..... lea toda la documentación
W..... vatios	

BATERÍAS Y CARGADORES

La batería no viene completamente cargada de fábrica. Antes de utilizar la batería y el cargador, lea las siguientes instrucciones de seguridad y luego siga los procedimientos de carga indicados. Cuando pida baterías de repuesto, no olvide indicar el número de catálogo y el voltaje.


LEA TODAS LAS INSTRUCCIONES


Instrucciones de Seguridad Importantes Para Todas las Unidades de Batería

-  **ADVERTENCIA:** Lea todas las advertencias de seguridad, instrucciones y marcas de precaución para el paquete de la batería, el cargador y el producto. No seguir las advertencias y las instrucciones puede provocar una descarga eléctrica, un incendio y/o lesiones graves.
- **No cargue o use la unidad de batería en atmósferas explosivas, como en presencia de líquidos, gases o polvos inflamables.** Puede que al insertar o sacar la unidad de batería del cargador se inflamen el polvo o los gases.
- **Cuando el paquete de batería no esté en uso, manténgalo alejado de otros objetos metálicos, como sujetadores de papel, monedas, llaves, clavos, tornillos, u otros objetos pequeños de metal que puedan hacer una conexión de una terminal a otra.** Conectar en corto circuito las terminales de la batería puede causar quemaduras o un incendio.
- **NUNCA fuerce la unidad de batería para que entre en el cargador. NO modifique la unidad de batería en ninguna forma para que entre en un**

cargador no compatible, pues puede producir una ruptura en la unidad de batería y causar lesiones corporales graves. Consulte la tabla al final de este manual para ver la compatibilidad entre baterías y cargadores.

- **Cargue las unidades de batería sólo en los cargadores designados por DeWALT.**
- **NO salpique con ni sumerja en agua u otros líquidos.**
- **No guarde ni use la herramienta y unidad de batería en lugares donde la temperatura pueda alcanzar o superar los 40 °C (104 °F), tales como cobertizos o construcciones de metal durante el verano.** Almacene las unidades de batería en lugares frescos y secos para maximizar su vida útil.
NOTA: No almacene las unidades de batería en la herramienta con el interruptor de gatillo en posición encendida fija. Nunca use cinta adhesiva para mantener el interruptor de gatillo en posición ENCENDIDA.
- **No exponga un paquete de batería o herramienta/aparato a fuego o temperatura excesiva.** La exposición a fuego o temperatura mayor a 130 °C (265 °F) puede causar una explosión.
- **No incinere la unidad de batería, aunque esté completamente dañada o descargada. La unidad de batería puede explotar si se quema.** Cuando se queman unidades de batería de iones de litio, se producen gases y materiales tóxicos.
- **Si el contenido de la batería entra en contacto con la piel, lave el área de inmediato con agua y un jabón suave.** Si el líquido de la batería entra en contacto con sus ojos, enjuéguelos con agua y los ojos abiertos por 15 minutos o hasta que cese la irritación. Si se requiere de asistencia médica, el electrolito de la batería está compuesto por una mezcla de carbonatos orgánicos líquidos y sales de litio.
- **El contenido de los elementos abiertos de la batería puede causar irritación en el tracto respiratorio.** Salga al aire fresco. Si los síntomas persisten, busque asistencia médica.

 **ADVERTENCIA:** Peligro de quemaduras. El líquido de la batería puede ser inflamable si se expone a chispas o llamas.

 **ADVERTENCIA:** Peligro de incendio. Nunca intente abrir la unidad de batería por ningún motivo. Si la caja exterior de la unidad de batería se triza o daña, no la introduzca en el cargador. No triture, deje caer o dañe la unidad de batería. No use una unidad de batería o un cargador que haya sido golpeado, dejado caer, atropellado o dañado en cualquier forma (por ejemplo, perforado por un clavo, golpeado con un martillo, pisado). Lleve sus unidades de batería dañadas al centro de servicio para que sean recicladas.

Recomendaciones de Almacenamiento

1. El mejor lugar de almacenamiento es uno que sea fresco y seco, lejos de la luz solar directa y del exceso de calor o frío.
2. Para resultados óptimos durante tiempos prolongados de almacenamiento, se recomienda almacenar la unidad de batería completamente cargada en un lugar fresco y seco fuera del cargador.

NOTA: Las unidades de batería no deberían almacenarse completamente descargadas. La unidad de batería deberá recargarse antes de ser usada.

Instrucciones de Limpieza del Batería

Para limpiar la suciedad y grasa del exterior del cargador puede usarse un paño o cepillo suave no metálico. No use agua ni soluciones limpiadoras.

Unidades de Batería con Indicador de Carga

Algunas unidades de batería DEWALT incluyen un indicador de carga que consiste de tres luces LED que indican el nivel de carga que queda en la unidad de batería.

El indicador de carga es una indicación de niveles aproximados de carga que quedan en la batería según los indicadores siguientes:



Para activar el indicador de carga, presione y sostenga el botón del indicador. Se iluminará una combinación de las tres luces LED, que indicará el nivel de carga que queda. Cuando el nivel de carga está por debajo del nivel útil, el indicador no se iluminará, y la batería deberá recargarse.

NOTA: El indicador de carga es sólo eso: un indicador de la carga de la unidad de batería. No indica el nivel de funcionalidad de la herramienta y puede variar de acuerdo a las piezas del producto, la temperatura y la aplicación que el usuario le dé.

Para mayor información sobre unidades de batería con indicadores de carga, por favor llame al 1-800-4-DEWALT (1-800-433-9258) o visite nuestro sitio Web: www.dewalt.com

Transporte



ADVERTENCIA: Peligro de incendio. No guarde o transporte la batería de forma que los terminales expuestos de la misma puedan estar en contacto con objetos metálicos. Por ejemplo, no ponga la batería en delantales, bolsillos, cajas de herramientas, estuches de productos, cajones, etc., junto con clavos, tornillos, y llaves, etc. **suelos.** El transporte de baterías puede causar incendios

si sus terminales inadvertidamente entran en contacto con materiales conductores como llaves, monedas, herramientas manuales y otros por el estilo. El Reglamento sobre Materiales Peligrosos (HMR) del Departamento de Transporte de EE.UU. prohíbe transportar baterías comercialmente o en aviones en el equipaje de mano A MENOS que estén debidamente protegidas contra cortocircuitos. Por lo tanto, cuando transporte baterías individuales, asegúrese de que sus terminales estén protegidos y debidamente aislados de los materiales que pudieran entrar en contacto con ellos y provocar un cortocircuito. **NOTA:** Las baterías de iones de Li-ion no deben colocarse dentro del equipaje registrado.

El sello RBRC®

El sello RBRC® (Rechargeable Battery Recycling Corporation) en las baterías (unidades de batería) de níquel cadmio, níquel e hidruro metálico o de iones de litio indica que el costo de reciclaje de estas baterías (o unidades de batería) al llegar al final de su vida de servicio ya ha sido pagado por DEWALT. En algunas áreas, es ilegal depositar baterías de níquel cadmio, níquel e hidruro metálico o de iones de litio gastadas en la basura o la corriente de residuos sólidos urbanos; el programa Call 2 Recycle® proporciona una alternativa ecológica.



Call 2 Recycle, Inc., en cooperación con DEWALT y otros usuarios de baterías, han establecido programas en los Estados Unidos y Canadá para facilitar la recolección de baterías de níquel cadmio, níquel e hidruro metálico o de iones de litio gastadas. Al llevar sus baterías de níquel cadmio, níquel e hidruro metálico y de iones de litio gastadas a un centro de servicio autorizado por DEWALT o al minorista local para que sean recicladas, ayuda a proteger el medio ambiente y a conservar recursos naturales.

También puede comunicarse con el centro de reciclaje de su localidad para mayor información sobre dónde llevar sus baterías gastadas.

RBRC® es una marca comercial registrada de Call 2 Recycle, Inc.

Transporte de la Batería FLEXVOLT™ de DEWALT

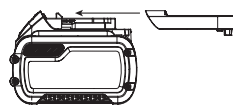
La batería FLEXVOLT™ de DEWALT tiene dos modalidades:

Uso y transporte.

Modalidad de uso: Cuando la batería FLEXVOLT™ está independiente o está en un producto DEWALT de 20 V Máx* funcionará como una batería de 20 V Máx*. Cuando la batería FLEXVOLT™ está en un producto de 60 V Máx* o 120 V Máx* (dos baterías de 60 V Máx*), funcionará como una batería de 60 V Máx*.

Modalidad de transporte:

Cuando la batería FLEXVOLT™ tiene puesta la tapa, la batería está en modalidad de transporte. Cadenas de celdas están desconectadas eléctricamente dentro de la unidad de batería, lo que resulta en tres baterías con una capacidad nominal de vatios hora (Wh) inferior comparada



con una batería con una capacidad nominal de vatios hora superior. Esta mayor cantidad de tres baterías con una capacidad nominal de vatios-hora menor puede hacer que la unidad de batería quede exenta de ciertos reglamentos de transporte que se imponen a las baterías con mayor capacidad nominal de vatios-hora.

La etiqueta en la batería indica dos capacidades nominales de vatios-hora (ver el ejemplo). Dependiendo de cómo se transporta la batería, debe usarse la capacidad nominal vatios-hora apropiada para determinar los requisitos de transporte aplicables. Si se utiliza la tapa de transporte, la unidad de batería será considerada tres baterías con la capacidad nominal de vatios-hora indicada para «Transporte». Si se transporta sin la tapa o en una herramienta, la unidad de batería será considerada una batería con la capacidad nominal de vatios-hora indicada al lado de «Uso».

Ejemplo de Marcado en Etiqueta de Uso y Transporte

USE: 120 Wh Shipping: 3 x 40 Wh

Por ejemplo, la capacidad nominal de Wh de Transporte puede indicar 3 x 40 Wh, lo que significa 3 baterías de 40 vatios-hora cada una. La capacidad nominal de Wh de Uso puede indicar 120 Wh (se implica 1 batería).

Instrucciones Importantes de Seguridad Para Todos los Cargadores de Baterías



ADVERTENCIA: Lea todas las advertencias de seguridad, instrucciones y marcas de precaución para el paquete de la batería, el cargador y el producto. No seguir las advertencias y las instrucciones puede provocar una descarga eléctrica, un incendio y/o lesiones graves.

- **NO intente cargar el paquete de batería con ningún cargador diferente a un cargador DEWALT.** El cargador y el paquete de batería DEWALT están diseñados específicamente para funcionar juntos.
- **Estos cargadores no fueron diseñados para ser utilizados para más que cargar las baterías recargables DEWALT.** Cualquier otro uso puede producir riesgo de incendios, descargas eléctricas o electrocución.
- **No exponga el cargador a la lluvia o a la nieve.**
- **Tire del enchufe y no del cable cuando desconecte el cargador.** De esta forma se reduce el riesgo de daño al enchufe y cable.
- **Asegúrese de que el cable no sea ubicado de manera que podría ser pisado, causar que alguien tropiece con él o ser expuesto a otro tipo de daños y desgastes.**
- **No use un alargador a menos que sea absolutamente necesario.** El uso de un alargador incorrecto podría producir riesgo de incendios, descargas eléctricas o electrocución.
- **Cuando opere un cargador al exterior, hágalo siempre en un lugar seco y use un alargador apropiado para uso al exterior.** El uso de un alargador

apropiado para uso al exterior reduce el riesgo de descarga eléctrica.

- **Los hilos del alargador deben ser de un calibre apropiado (AWG o American Wire Gauge) para su seguridad.** Mientras menor sea el calibre del hilo, mayor la capacidad del cable. Es decir, un hilo calibre 16 tiene mayor capacidad que uno de 18. Un cable de un calibre insuficiente causará una caída en la tensión de la línea dando por resultado una pérdida de energía y sobrecalentamiento. Cuando se utilice más de un alargador para completar el largo total, asegúrese que los hilos de cada alargador tengan el calibre mínimo. La tabla siguiente muestra el tamaño correcto a utilizar, dependiendo de la longitud del cable y del amperaje nominal de la placa de identificación. Si tiene dudas sobre cuál calibre usar, use un calibre mayor. Cuanto menor sea el número del calibre, más resistente será el cable.

Calibre mínimo de conjuntos de cables		Longitud total del cable en pies (metros)				
Voltios		25 (7,6)	50 (15,2)	100 (30,5)	150 (45,7)	
240V		50 (15,2)	100 (30,5)	200 (61,0)	300 (91,4)	
Amperaje nominal	AWG					
	Más de	No Más de				
0	6	18	16	16	14	
6	10	18	16	14	12	
10	12	16	16	14	12	
12	16	14	12	No recomendado		

- **No coloque ningún objeto encima del cargador ni coloque a este sobre una superficie blanda que pudiera bloquear las ranuras de ventilación y resultar en un calor interno excesivo.** Coloque el cargador en un lugar alejado de cualquier fuente de calor. El cargador se ventila a través de las ranuras que se encuentran en la parte superior e inferior de la caja protectora.
- **No opere el cargador si su cable o enchufe están dañados—reemplácelos de inmediato.**
- **No opere el cargador si ha recibido un golpe agudo, si se ha caído o si ha sido dañado de alguna otra forma.** Llévelo a un centro de servicio autorizado.
- **No desarme el cargador; llévelo a un centro de servicio autorizado cuando deba ser reparado.** Si es reensamblado incorrectamente, puede causar descargas eléctricas, electrocución o incendios.
- **Desenchufe el cargador antes de intentar limpiarlo.** Esto reducirá el riesgo de descargas eléctricas. El retirar el paquete de baterías no reducirá este riesgo.
- **NUNCA intente conectar 2 cargadores entre sí.**
- **El cargador está diseñado para operar con una corriente eléctrica estándar residencial de 120 V. No intente usarlo con ningún otro voltaje.** Esto no aplica al cargador vehicular.



ADVERTENCIA: Peligro de descarga eléctrica. No permita que ningún líquido se introduzca en el cargador. Puede producir descargas eléctricas.

⚠️ ADVERTENCIA: Peligro de quemaduras. No sumerja la unidad de batería en líquido de ningún tipo ni permita que se introduzca ningún tipo de líquido a la unidad de batería. Nunca intente abrir la unidad de batería por ningún motivo. Si la caja plástica de la unidad de batería se triza o rompe, llévela a un centro de servicio para su reciclaje.

⚠️ ATENCIÓN: Peligro de quemaduras. Para reducir el riesgo de lesiones, sólo cargue unidades de batería recargables DEWALT marca. Otros tipos de batería podrían sobrecalentarse y reventar lo que podría resultar en lesiones corporales y daños a su propiedad.










⚠️ ATENCIÓN: Bajo ciertas condiciones, cuando el cargador está enchufado a una toma de corriente, el cargador puede hacer cortocircuito si entra en contacto con algún material ajeno. Los materiales ajenos de naturaleza conductora, como el polvo de esmerilado, las placas de metal, la lana de acero, el papel de aluminio y otros, o cualquier acumulación de partículas metálicas deberían mantenerse alejados de las cavidades del cargador. Desenchufe siempre el cargador cuando no haya una unidad de batería en su cavidad. Desenchufe el cargador antes de intentar limpiarlo.

Carga de la Batería

NOTA: Para garantizar el máximo desempeño y la vida útil de los paquetes de baterías de iones de litio, cargue la batería por completo antes del primer uso.

1. Conecte el cargador en un tomacorriente apropiado antes de insertar el paquete de batería.
2. Conecte el cargador y el paquete de baterías, asegurándose que la batería esté completamente asentada. La luz (carga) parpadeará continuamente indicando que el proceso de carga ha comenzado.
3. La terminación de la carga se indicará por la luz que permanece encendida continuamente. El paquete de batería está completamente cargado y se puede retirar a usar en este momento o dejarse en el cargador.

NOTA: Para retirar el paquete de la batería, algunos cargadores requieren que se presione el botón de liberación del paquete de batería.

Indicadores	
	Unidad en Proceso de Carga  
	Unidad Cargada  
	Retraso por Unidad Caliente/ Fría*  

***DCB107, DCB112, DCB113, DCB115, DCB118, DCB132:** La luz roja continuará parpadeando, pero una luz indicadora amarilla estará iluminada durante esta operación. Una vez que la batería haya llegado a una temperatura apropiada, la luz amarilla se apagará y el cargador continuará con el procedimiento de carga.

Un cargador no cargará una batería defectuosa. El cargador que se niega a encenderse podría indicar un problema con el cargador.

NOTA: Si el cargador no quiere encender, lleve el cargador y el paquete de batería para que los prueben en un centro de servicio autorizado.

Permanencia de la Unidad de Batería en el Cargador

El cargador y la unidad de batería pueden dejarse conectados con la luz del cargador indicando que la unidad está cargada.

Retraso por Batería Caliente/Fría

Cuando el cargador detecta que una batería está demasiado caliente o demasiado fría, inicia automáticamente un Retraso por batería caliente/fría y suspende la carga hasta que la batería alcanza una temperatura adecuada. En ese momento, el cargador inicia automáticamente el modo de carga de la batería. Esta función garantiza la máxima duración de la batería.

Una batería fría puede cargar más lentamente que una batería caliente.

El cargador DCB118 está equipado con un ventilador interno diseñado para enfriar la batería. El ventilador se encenderá automáticamente cuando la batería tenga que enfriarse.

No opere nunca el cargador si el ventilador no funciona adecuadamente o si las ranuras de ventilación están obstruidas. No permita que entren objetos extraños dentro del cargador.

Sistema de protección electrónica

Las herramientas con baterías de iones de litio están diseñadas con un Sistema de protección electrónico que protegerá la batería contra la sobrecarga, el sobrecalentamiento o la descarga completa. La herramienta se apagará automáticamente si el Sistema de protección electrónico se activa. Si esto ocurre, coloque la batería de iones de litio en el cargador hasta que esté totalmente cargada.

Notas Importantes Sobre la Carga

1. Se puede obtener una mayor duración y un mejor rendimiento si la unidad de batería se carga a una temperatura ambiente de 18 °C–24 °C (65 °F–75 °F). NO cargue cuando el paquete de batería esté debajo de +4,5 °C (+40 °F), o arriba de +40 °C (+104 °F). Esto es importante y evitará causar daños graves a la batería.
2. Puede que el cargador y la unidad de batería se calienten ligeramente durante el proceso de carga. Esto es normal y no representa ningún problema. Para facilitar el enfriamiento de la unidad de batería después del uso, evite colocar el cargador o la unidad de batería en un lugar cálido, como un cobertizo metálico o un remolque sin aislamiento térmico.
3. Si la unidad de batería no se carga correctamente:
 - a. Verifique el funcionamiento de la toma enchufando una lámpara u otro aparato;

- b. Revise que la toma de corriente no esté conectada a un interruptor de luz que corte la corriente cuando se corte la luz;
 - c. Mueva el cargador y la unidad de batería a un lugar donde la temperatura ambiental sea aproximadamente 18 °C–24 °C (65 °F–75 °F);
 - d. Si el problema de carga continúa, lleve la herramienta, unidad de batería y el cargador a su centro de servicio local.
4. La unidad de batería debería ser recargada cuando no sea capaz de producir suficiente potencia para trabajos que eran fácilmente realizados antes. NO CONTINUE usándola bajo estas circunstancias. Siga el procedimiento de carga. También puede cargar una unidad de batería que haya sido usada parcialmente cuando lo desee, sin dañarla.
 5. Los materiales ajenos conductores por naturaleza, tales como, pero sin limitarse a, el polvo del esmerilado, las virutas metálicas, la lana de acero, el papel de aluminio o cualquier acumulación de partículas metálicas deberían mantenerse alejados de las cavidades del cargador. Desenchufe siempre el cargador de la toma de corriente cuando no haya una unidad de batería en su cavidad. Desenchufe el cargador antes de intentar limpiarlo.
 6. No congele ni sumerja el cargador en agua o cualquier otro líquido.

Instrucciones de Limpieza del Cargador



ADVERTENCIA: *Riesgo de descarga eléctrica. Desconecte el cargador del tomacorriente de CA antes de limpiarlo. Para limpiar la suciedad y grasa del exterior del cargador puede usarse un paño o cepillo suave no metálico. No use agua ni soluciones limpiadoras.*

Montaje en la Pared

DCB107, DCB112, DCB113, DCB115, DCB118, DCB132

Estos cargadores están diseñados para montarse en la pared o colocarse en posición vertical sobre una mesa o superficie de trabajo. Si lo monta en la pared, coloque el cargador al alcance de una toma de corriente eléctrica y alejado de las esquinas u otras obstrucciones que puedan impedir el flujo de aire. Utilice la parte de atrás del cargador como plantilla para la ubicación de los tornillos de montaje en la pared. Monte el cargador firmemente utilizando tornillos para muro seco (comprados por separado) de un mínimo de 25,4 mm (1") de largo, con una cabeza de un diámetro de 7-9 mm (0,28–0,35"), atornillados en madera hasta una profundidad óptima dejando el tornillo expuesto aproximadamente 5,5 mm (7/32"). Alinee las ranuras en la parte trasera del cargador con los tornillos expuestos e introdúzcalos totalmente en las ranuras.

Uso Debido

Esta sierra alternativa está diseñada para aplicaciones de aserrado profesionales.

NO use en condiciones húmedas ni en presencia de líquidos o gases inflamables.

Esta sierra alternativa es una herramienta eléctrica profesional.

NO permita que los niños toquen la herramienta. Si el operador no tiene experiencia operando esta herramienta, su uso deberá ser supervisado.

MONTAJE Y AJUSTES



ADVERTENCIA: *Para reducir el riesgo de lesiones personales, apague la unidad y retire el paquete de batería antes de realizar cualquier ajuste o retirar/instalar conexiones o accesorios.*

Una activación de arranque accidental puede causar lesiones.



ADVERTENCIA: *Peligro de corte. Apague la unidad y retire el paquete de batería antes de realizar cualquier tipo de ajuste o quitar o instalar conexiones o accesorios.*



ADVERTENCIA: *Peligro de corte. La cuchilla puede romperse si ésta no se extiende más allá de la zapata pivote y la pieza de trabajo durante el corte. Es posible que haya más riesgos de lesiones personales además de daños en la zapata pivote y en la pieza de trabajo.*

Instalación y Extracción de Cuchilla (Fig. B)

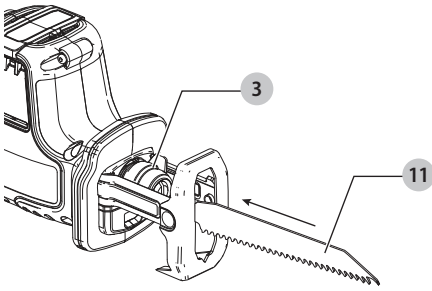
Hay diferentes longitudes de cuchillas disponibles. Use la cuchilla apropiada para la aplicación. La cuchilla debería tener más de 89 mm (3-1/2") de largo y debería sobresalir más allá de la base metálica y del grosor de la pieza de trabajo durante el corte. No use cuchillas para sierras de vaivén con esta herramienta.

Para Instalar la Cuchilla en la Sierra

1. Gire para abrir la abrazadera de la cuchilla **3** a su posición completamente abierta.
2. Inserte la cuchilla **11** completamente en la abrazadera de la cuchilla.
3. Libere la abrazadera de la cuchilla. Compruebe para cerciorarse de que la cuchilla esté afianzada con abrazadera con seguridad.

NOTA: La cuchilla puede instalarse al revés para ayudar a realizar cortes al ras.

Fig. B



Para Quitar la Cuchilla de la Sierra (Fig. B)

⚠️ ADVERTENCIA: *Riesgo de quemaduras. No toque la cuchilla de inmediato después de usarla. El contacto con la cuchilla puede ocasionar lesiones personales.*

1. Gire para abrir la abrazadera de la cuchilla **3** a su posición completamente abierta.
2. Retire la cuchilla **11**.

Gancho para Cinturón (Fig. C)

⚠️ ADVERTENCIA: *Para reducir el riesgo de lesiones graves, SOLO use el gancho para cinturón de la herramienta para colgar la herramienta de un cinturón de trabajo. NO use el gancho para cinturón para colgar o sujetar la herramienta a una persona u objeto durante el uso. NO suspenda la herramienta de objetos en altura ni suspenda objetos del gancho para cinturón.*

⚠️ ADVERTENCIA: *Para reducir el riesgo de lesión corporal grave, verifique que el tornillo que sujeta el gancho para cinturón esté ajustado.*

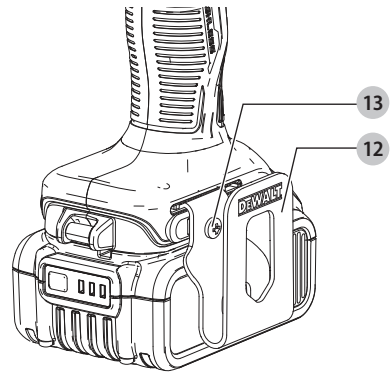
⚠️ ADVERTENCIA: *Antes de colgar la herramienta de un cinturón de trabajo, SIEMPRE retire la cuchilla y asegúrese que el interruptor de bloqueo de apagado esté en la posición bloqueada para eliminar el arranque accidental.*

IMPORTANTE: Cuando enganche o cambie el gancho para cinturón **12**, utilice sólo el tornillo **13** que viene incluido. Asegúrese de ajustar bien el tornillo.

El gancho de cinturón **12** se pueden colocar en cualquier lado de la herramienta utilizando únicamente el tornillo **13** incluido, para acomodarse a usuarios zurdos o diestros. Si el gancho del cinturón no se desea en absoluto, se puede quitar de la herramienta.

Para mover el gancho para cinturón, quite el tornillo que lo sostiene en su lugar, luego vuelva a ensamblarlo en el otro lado de la herramienta. Asegúrese de ajustar bien el tornillo.

Fig. C



OPERACIÓN

⚠️ ADVERTENCIA: *Para reducir el riesgo de lesiones personales, apague la unidad y retire el paquete de batería antes de realizar cualquier ajuste o retirar/instalar conexiones o accesorios. Una activación de arranque accidental puede causar lesiones.*

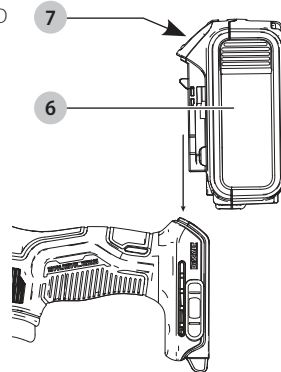
Cómo Instalar y Retirar la Unidad de Batería (Fig. D)

NOTA: Para mejores resultados, verifique que su unidad de batería esté completamente cargada.

Para instalar la unidad de batería **6** en el mango de la herramienta, alinee la unidad de batería con los rieles en el interior del mango de la herramienta y deslícela en el mango hasta que la unidad de batería quede firmemente insertada en la herramienta; verifique que ésta no se salga sola.

Para retirar la unidad de batería de la herramienta, presione el botón de liberación **7** y tire firmemente de la de batería para sacarla del mango de la herramienta. Insértela en el cargador tal como se describe en la sección del cargador de este manual.

Fig. D



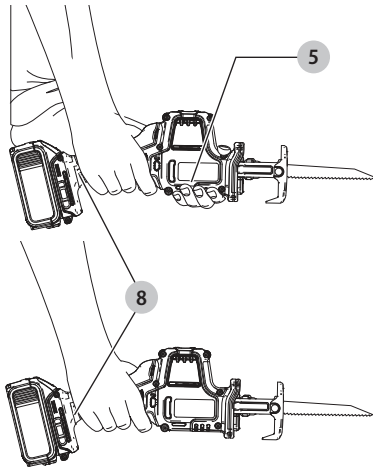
Posición Adecuada de las Manos (Fig. E)

! **ADVERTENCIA:** Para reducir el riesgo de lesión personal grave, tenga **SIEMPRE** las manos en una posición adecuada como se muestra.

! **ADVERTENCIA:** Para reducir el riesgo de lesión personal grave, sujete **SIEMPRE** bien en caso de que haya una reacción repentina.

La posición adecuada de la mano requiere una mano en la manija principal **8** y una mano en la agarradera **5** o una mano en la manija principal con el material que se corta asegurado adecuadamente.

Fig. E



Luz de Trabajo (Fig. A)

! **ATENCIÓN:** No mire fijamente hacia la luz de trabajo. Podrían producirse lesiones oculares graves.

Hay una luz de trabajo **9** lubricada en el pie de la herramienta. La luz de trabajo se activa cuando el interruptor de gatillo se presiona y permanecerá encendida durante un corto período de tiempo después de soltar el interruptor de gatillo. Si el interruptor de gatillo se mantiene presionado, la luz de trabajo se mantiene encendida.

NOTA: La luz de trabajo sirve para iluminar la superficie de trabajo cercana y no fue diseñada para utilizarse como linterna.

Interruptor Tipo Gatillo de Velocidad Variable (Fig. A, F)

Botón de Bloqueo en Off y Interruptor Tipo Gatillo

Su sierra viene equipada con un botón de bloqueo en off **2**.

Para bloquear el interruptor de gatillo, presione el botón de bloqueo de apagado en la izquierda. Siempre bloquee el interruptor tipo gatillo **1** cuando transporte o guarde la herramienta para eliminar el riesgo de que esta se encienda accidentalmente.

Para desbloquear el interruptor de gatillo, presione el botón de bloqueo de apagado en la derecha. Apriete

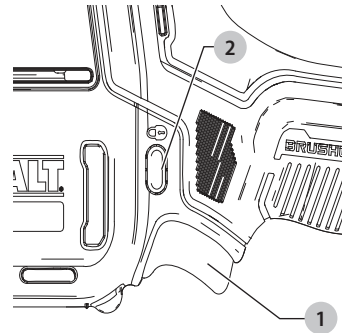
el interruptor tipo gatillo para ENCENDER el motor. Para APAGAR el motor, suelte el interruptor tipo gatillo.

! **ADVERTENCIA:** Esta herramienta no tiene ningún dispositivo que bloquee la herramienta en ON (encendida) y no debería ser bloqueada en ON de ninguna manera.

El interruptor tipo gatillo de velocidad variable le dará mayor versatilidad. Mientras más se presione el gatillo, mayor será la velocidad de la sierra.

! **ATENCIÓN:** Sólo se recomienda el uso de la velocidad mínima para iniciar el corte. El uso prolongado de esta velocidad puede dañar la sierra.

Fig. F

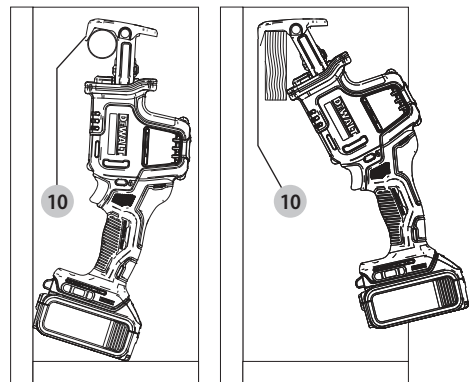


Tapón para Colgar (Fig. A, G)

La zapata de pivote **4** contiene un tapón para colgar **10** que se puede usar para colgar la herramienta de material y tubos 2x4 norteamericanos. Para colgar la herramienta, colóquela con el tapón sobre la parte superior del material como se muestra en la Fig. G.

NOTA: Si utiliza el tapón para colgar para colgar la herramienta de tubos u otro material redondeado, asegúrese que la pata de la herramienta esté soportada por la pared u otro material para evitar que la herramienta oscile.

Fig. G



Corte (Fig. A, B, E)

La cuchilla **11** debe extenderse más allá de la zapata ajustable **4** y el espesor de la pieza de trabajo durante el corte. Seleccione la cuchilla más adecuada para el material que desee cortar y utilice la cuchilla más corta apropiada para el espesor del material. No utilice cuchillas de sierra caladora con esta herramienta.

NOTA: Antes de cortar cualquier tipo de material, asegúrese de que esté firmemente sujeto o fijo para evitar el deslizamiento.

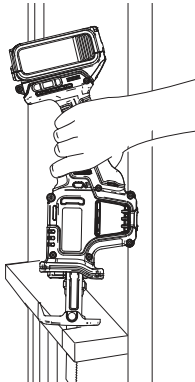
- Coloque la cuchilla **11** y la zapata pivote **4** levemente contra la pieza de trabajo que desea cortar.
- Encienda el motor de la sierra y permita que ésta alcance la máxima velocidad antes de aplicar presión.
- Siempre sostenga la sierra como se muestra en la Figura E. Siempre que sea posible, la zapata pivote de la sierra debe sujetarse con firmeza contra el material que desea cortar. Esto evitará que la sierra salte o vibre y minimizará el daño a la cuchilla.

Corte al Ras (Fig. H)

El diseño compacto de la caja del motor de la sierra alternativa y de la zapata pivote giratoria permite cortes cerrados en pisos, esquinas y otras áreas difíciles.

1. Para maximizar las capacidades de cortes al ras, inserte el eje de la cuchilla en la abrazadera de cuchilla con los dientes de la cuchilla hacia arriba.
2. Gire la sierra hacia abajo de modo que usted esté lo más cerca posible de la superficie de trabajo.

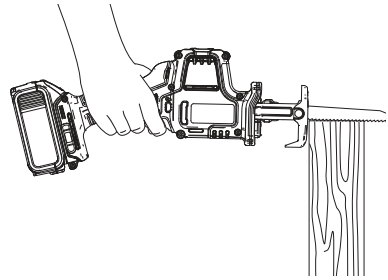
Fig. H



Cortes en Madera (Fig. I)

1. Antes de cortar cualquier tipo de madera, asegúrese de que la pieza de trabajo esté firmemente sujeta o fija para evitar el deslizamiento.
2. Coloque la cuchilla levemente contra la pieza de trabajo que desea cortar.
3. Encienda el motor de la sierra antes de aplicar presión.
4. Siempre sostenga la sierra como se muestra en la Figura E mientras corta. Siempre que sea posible, la zapata pivote de la sierra debe sujetarse con firmeza contra el material que desea cortar. Esto evitará que la sierra salte o vibre y minimizará el daño a la cuchilla.

Fig. I

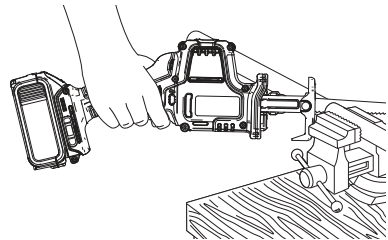


Cortes en Metal (Fig. J)

1. Utilice una cuchilla fina para metales ferrosos y una cuchilla más gruesa para materiales no ferrosos.
2. En piezas de metal de bajo calibre es mejor sujetar con madera al superficie inferior de la pieza. De esta forma, garantizará un corte limpio sin exceso de vibración o rotura del metal.
3. Evite forzar la cuchilla de corte, esto reducirá la duración de la cuchilla y ocasionará roturas costosas de la cuchilla.

NOTA: Distribuya una capa delgada de aceite u otro refrigerante a lo largo de la línea en la parte frontal del corte de la sierra para una mejor operación y mayor duración de la cuchilla. Para cortes en aluminio, coloque kerosén preferentemente.

Fig. J



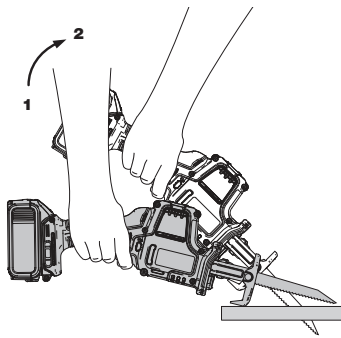
Cortes Internos - Madera Solamente (Fig. K)

Mida la superficie que desea cortar y márquela claramente con un lápiz, tiza o punzón.

1. Inserte la cuchilla en la abrazadera de cuchilla y ajústela bien.
2. Incline la sierra hacia atrás hasta que el borde posterior de la zapata pivote esté sobre la superficie de trabajo.
3. Encienda el motor de modo de permitir que la cuchilla logre la máxima velocidad.
4. Sujete el mango con firmeza y comience con un balanceo lento, intencional y hacia arriba con el mango de la sierra.
5. La cuchilla comenzará a introducirse en el material. Siempre asegúrese de que la cuchilla atraviese completamente el material antes de continuar un corte interno.

NOTA: En áreas donde la visibilidad de la cuchilla sea limitada, utilice el borde de la zapata pivote como guía.

Fig. K



Sugerencias para el Proyecto

- Corte solamente con las cuchillas afiladas, éstas pueden realizar cortes más limpios, más rápidos y requieren menos esfuerzo del motor durante el corte.
- Al cortar, siempre asegúrese de que la zapata pivote esté contra la pieza de trabajo. Esto mejorará el control del operador y minimizará la vibración.
- Para una mayor duración de la cuchilla, utilice cuchillas bimetalicas. Éstas utilizan un respaldo de acero duro soldado para lograr mayor velocidad de los dientes de acero, de manera que la cuchilla es más flexible y menos propensa a las roturas.

MANTENIMIENTO

⚠️ ADVERTENCIA: Para reducir el riesgo de lesiones personales, apague la unidad y retire el paquete de batería antes de realizar cualquier ajuste o retirar/instalar conexiones o accesorios. Una activación de arranque accidental puede causar lesiones.

Limpieza

⚠️ ADVERTENCIA: Sople la suciedad y el polvo de todos los conductos de ventilación con aire seco, al menos una vez por semana. Para reducir el riesgo de lesiones, utilice siempre protección para los ojos aprobada ANSI Z87.1 al realizar esta tarea.

⚠️ ADVERTENCIA: Nunca utilice solventes ni otros químicos abrasivos para limpiar las piezas no metálicas de la herramienta. Estos productos químicos pueden debilitar los materiales plásticos utilizados en estas piezas. Utilice un paño humedecido sólo con agua y jabón neutro. Nunca permita que penetre líquido dentro de la herramienta ni sumerja ninguna de las piezas en un líquido.

Accesorios

⚠️ ADVERTENCIA: Debido a que no se han probado con este producto otros accesorios que no sean los que ofrece DEWALT, el uso de dichos accesorios con esta herramienta podría ser peligroso. Para reducir el riesgo de lesiones, con este producto deben usarse sólo los accesorios recomendados por DEWALT.

Los accesorios que se recomiendan para utilizar con la herramienta están disponibles a un costo adicional en su distribuidor local o en un centro de mantenimiento autorizado. Si necesita ayuda para localizar algún accesorio, póngase en contacto con DEWALT, llame al 1-800-4-DEWALT (1-800-433-9258) o visite nuestro sitio web: www.dewalt.com.

Reparaciones

El Cargador y las unidades de batería no pueden ser reparados. El cargador y la unidad de batería no contienen piezas reparables.

⚠️ ADVERTENCIA: Para asegurar la SEGURIDAD y la CONFIABILIDAD del producto, las reparaciones, el mantenimiento y los ajustes (inclusive la inspección y el cambio de las escobillas, cuando proceda) deben ser realizados en un centro de mantenimiento en la fábrica DEWALT u en un centro de mantenimiento autorizado DEWALT. Utilice siempre piezas de repuesto idénticas.

Para reparación y servicio de sus herramientas eléctricas, favor de dirigirse al Centro de Servicio más cercano

CULIACAN, SIN

Bldv. Emiliano Zapata 5400-1 Poniente Col. (667) 717 89 99
San Rafael

GUADALAJARA, JAL

Av. La Paz #1779 - Col. Americana Sector (33) 3825 6978
Juárez

MEXICO, D.F.

Eje Central Lázaro Cárdenas No. 18 - Local (55) 5588 9377
D, Col. Obrera

MERIDA, YUC

Calle 63 #459-A - Col. Centro (999) 928 5038

MONTERREY, N.L.

Av. Francisco I. Madero 831 Poniente - Col. (818) 375 23 13
Centro

PUEBLA, PUE

17 Norte #205 - Col. Centro (222) 246 3714

QUERETARO, QRO

Av. San Roque 274 - Col. San Gregorio (442) 2 17 63 14

SAN LUIS POTOSI, SLP

Av. Universidad 1525 - Col. San Luis (444) 814 2383

TORREON, COAH

Bldv. Independencia, 96 Pte. - Col. Centro (871) 716 5265

VERACRUZ, VER

Prolongación Díaz Mirón #4280 - Col. (229) 921 7016
Remes

VILLAHERMOSA, TAB

Constitución 516-A - Col. Centro (993) 312 5111

PARA OTRAS LOCALIDADES:

Si se encuentra en México, por favor llame al (55) 5326 7100

**Si se encuentra en U.S., por favor llame al
1-800-433-9258 (1-800 4-DeWALT)**

Póliza de Garantía

IDENTIFICACIÓN DEL PRODUCTO:

Sello o firma del Distribuidor.

Nombre del producto: _____

Mod./Cat.: _____

Marca: _____

Núm. de serie: _____

(Datos para ser llenados por el distribuidor)

Fecha de compra y/o entrega del producto:

Nombre y domicilio del distribuidor donde se adquirió el producto:

Este producto está garantizado por un año a partir de la fecha de entrega, contra cualquier defecto en su funcionamiento, así como en materiales y mano de obra empleados para su fabricación. Nuestra garantía incluye la reparación o reposición del producto y/o componentes sin cargo alguno para el cliente, incluyendo mano de obra, así como los gastos de transportación razonablemente erogados derivados del cumplimiento de este certificado.

Para hacer efectiva esta garantía deberá presentar su herramienta y esta póliza sellada por el establecimiento comercial donde se adquirió el producto, de no contar con ésta, bastará la factura de compra.

Excepciones

Esta garantía no será válida en los siguientes casos:

- Cuando el producto se hubiese utilizado en condiciones distintas a las normales;
- Cuando el producto no hubiese sido operado de acuerdo con el instructivo de uso que se acompaña;
- Cuando el producto hubiese sido alterado o reparado por personas distintas a las enlistadas al final de este certificado.

Anexo encontrará una relación de sucursales de servicio de fábrica, centros de servicio autorizados y franquiciados en la República Mexicana, donde podrá hacer efectiva su garantía y adquirir partes, refacciones y accesorios originales.

Registro en Línea

Gracias por su compra. Registre su producto ahora para:

- **SERVICIO EN GARANTÍA:** Si completa esta tarjeta, podrá obtener un servicio en garantía más eficiente, en caso de que exista un problema con su producto.
- **CONFIRMACIÓN DE PROPIEDAD:** En caso de una pérdida que cubra el seguro, como un incendio, una inundación o un robo, el registro de propiedad servirá como comprobante de compra.
- **PARA SU SEGURIDAD:** Si registra el producto, podremos comunicarnos con usted en el caso improbable que se deba enviar una notificación de

seguridad conforme a la Federal Consumer Safety Act (Ley Federal de Seguridad de Productos para el Consumidor).

- Registro en línea en www.dewalt.com.

Garantía Limitada por Tres Años

DeWALT reparará o reemplazará, sin cargo, cualquier defecto debido a materiales o mano de obra defectuosos por tres años desde la fecha de compra (dos años para las baterías). Esta garantía no cubre falla de partes debido al desgaste normal o abuso de la herramienta. Para detalles adicionales de la cobertura de la garantía e información de reparación de garantía, visite www.dewalt.com o llame al 1-800-4-DeWALT (1-800-433-9258). Esta garantía no se aplica a accesorios o daño causado cuando otros hayan realizado o intentado reparaciones. ESTA GARANTÍA LIMITADA SE OTORGA EN LUGAR DE TODAS LAS DEMÁS, INCLUIDA LA GARANTÍA IMPLÍCITA DE COMERCIABILIDAD E IDONEIDAD PARA UN PROPÓSITO EN PARTICULAR, Y EXCLUYE TODOS LOS DAÑOS INCIDENTALES O EN CONSECUENCIA. Algunos estados no permiten limitaciones sobre la duración de una garantía implícita o la exclusión o limitación de daños incidentales o en consecuencia, por lo que estas limitaciones pueden no aplicarse en su caso. Esta garantía le da derechos legales específicos y puede tener otros derechos que varían en ciertos estados o provincias. Además de la garantía, las herramientas DeWALT están cubiertas por:

1 AÑO DE SERVICIO GRATUITO

DeWALT mantendrá la herramienta y reemplazará las piezas gastadas por su uso normal, sin cobro, en cualquier momento durante un año a contar de la fecha de compra

2 AÑOS DE SERVICIO GRATUITO PARA UNIDADES DE ALIMENTACIÓN DeWALT

DC9071, DC9091, DC9096, DC9182, DC9280, DC9360, DCB120, DCB122, DCB124, DCB127, DCB201, DCB203BT, DCB207, DCB361

3 AÑOS DE SERVICIO GRATUITO PARA UNIDADES DE ALIMENTACIÓN DeWALT

DCB200, DCB203, DCB204, DCB204BT, DCB205, DCB205BT, DCB206, DCB230, DCB606, DCB609, DCB612

NOTA: La garantía del producto quedará nula si la unidad de batería ha sido alterada de cualquier manera. DeWALT no es responsable de ninguna lesión causada por alteraciones y podría iniciar un procedimiento judicial por fraude de garantía hasta el máximo grado permisible por la ley.

GARANTÍA DE REEMBOLSO DE SU DINERO POR 90 DÍAS

Si no está completamente satisfecho con el desempeño de su máquina herramienta o clavadora DeWALT, cualquiera sea el motivo, podrá devolverlo hasta 90 días de la fecha de compra con su recibo y obtener el reembolso completo de su dinero – sin necesidad de responder a ninguna pregunta.

AMÉRICA LATINA: Esta garantía no se aplica a los productos que se venden en América Latina. Para los productos que se venden en América Latina, debe consultar

la información de la garantía específica del país que viene en el empaque, llamar a la compañía local o visitar el sitio Web a fin de obtener esa información.

REEMPLAZO GRATUITO DE LAS ETIQUETAS DE

ADVERTENCIAS: Si sus etiquetas de advertencia se vuelven ilegibles o faltan, llame al 1-800-4-DEWALT (1-800-433-9258) para que se le reemplacen gratuitamente.

ESPECIFICACIONES

DCS369 20 V Máx* 0–2800 spm

**El máximo voltaje inicial de la batería (medido sin carga de trabajo) es 12, 20, 60 o 120 voltios. El voltaje nominal es de 10,8, 18, 54 o 108. (120 V Máx* se basan en el uso de 2 baterías de iones de litio DEWALT de 60 V Máx* combinadas).*

DEWALT BATTERY AND CHARGER SYSTEMS

**Chargers/Charge Time (Minutes) . Chargeurs/Durée de charge (Minutes) .
Cargadores de baterías/Tiempo de carga (Minutos)**

Battery Cat #	Output Voltage	120 Volts														12 Volts			
		DC9000	DC9310	DC9320	DC8095	DCB102	DCB103	DCB104	DCB107	DCB112	DCB113	DCB114	DCB115	DCB116	DCB118	DCB132	DCB119	DW0249	DCB412
DCB612	20/60	X	X	X	X	190	190	100	570	360	290	X	170	X	100	170	X	X	X
DCB609	20/60	X	X	X	X	135	135	75	432	270	230	X	135	X	75	135	X	X	X
DCB606	20/60	X	X	X	X	100	100	60	272	170	140	X	90	X	60	90	X	X	X
DCB404	40	X	X	X	X	X	X	X	X	X	X	90	X	30	X	X	X	X	130
DCB406	40	X	X	X	X	X	X	X	X	X	X	130	X	45	X	X	X	X	190
DCB407	40	X	X	X	X	X	X	X	X	X	X	170	X	60	X	X	X	X	235
DC9360	36	45	X	X	X	X	X	X	X	X	X	X	X	X	X	X	X	X	X
DCB361	36	45	X	X	X	X	X	X	X	X	X	X	X	X	X	X	X	X	X
DC9280	28	60	X	X	X	X	X	X	X	X	X	X	X	X	X	X	X	X	X
DW0242	24	X	X	X	X	X	X	X	X	X	X	X	X	X	X	X	X	60	X
DCB200	20	X	X	X	X	60	60	45/30**	140	90	67	X	45	X	45/30**	45	90	X	X
DCB201	20	X	X	X	X	30	30	22	70	45	35	X	22	X	22	22	45	X	X
DCB203	20	X	X	X	X	35	35	30	90	60	45	X	30	X	30	30	60	X	X
DCB203BT*	20	X	X	X	X	35	35	30	90	60	45	X	30	X	30	30	60	X	X
DCB204	20	X	X	X	X	70	70	60/40**	185	120	90	X	60	X	60/40**	60	120	X	X
DCB205	20	X	X	X	X	95	95	75/47**	240	150	112	X	75	X	75/47**	75	150	X	X
DCB205BT*	20	X	X	X	X	95	95	75	240	150	112	X	75	X	75	75	150	X	X
DCB206	20	X	X	X	X	100	100	60	272	170	140	X	90	X	60	90	X	X	X
DCB207	20	X	X	X	X	30	30	22	60	40	30	X	22	X	22	22	X	X	X
DCB230	20	X	X	X	X	60	60	45	140	90	67	X	45	X	45	45	90	X	X
DC9182	18	X	40	40	X	X	40	X	X	X	X	X	X	X	X	X	X	40	X
DCB120	12	X	X	X	X	30	30	20	60	45	35	X	20	X	X	X	45	X	X
DCB127	12	X	X	X	X	35	35	30	90	60	50	X	30	X	X	X	60	X	X
DCB080	8	X	X	X	60	X	X	X	X	X	X	X	X	X	X	X	X	X	X

* BT = Bluetooth®

NOTE: The Bluetooth® word mark and logos are registered trademarks owned by the Bluetooth®, SIG, Inc. and any use of such marks by DEWALT is under license. Other trademarks and trade names are those of their respective owners.

REMARQUE : le mot servant de marque et les logos Bluetooth® sont des marques déposées appartenant à Bluetooth SIG, Inc. et toute utilisation de ces marques par DEWALT est sous licence. Les autres marques de commerce et noms commerciaux sont ceux de leurs détenteurs respectifs.

NOTA: La palabra y los logotipos de Bluetooth® son marcas registradas propiedad de Bluetooth®, SIG, Inc. y DEWALT utiliza dichas marcas bajo licencia. Otras marcas comerciales y nombres comerciales pertenecen a sus respectivos propietarios.

** Battery Date Code 201536 or later . La date codée de fabrication 201536 ou ultérieur . Código de fecha de la batería 201536 o posterior

"X" Indicates that the battery pack is not compatible with that specific charger. All charge times are approximate. Actual charge time may vary. Read the instruction manual for more specific information.

"X" indique que le bloc-piles n'est pas compatible avec ce chargeur. Les durées de charge sont approximatives; la durée de charge réelle peut varier. Lire le manuel d'utilisation pour obtenir des renseignements plus précis.

Una "X" indica que el paquete de baterías no es compatible con ese determinado cargador. El tiempo de duración de carga es aproximado; la duración de carga real puede variar. Lea el manual de instrucciones para obtener información más precisa.

DEWALT Industrial Tool Co. 701 East Joppa Road, Towson, MD 21286

Copyright © 2019

The following are trademarks for one or more DEWALT power tools: the yellow and black color scheme, the "D" shaped air intake grill, the array of pyramids on the handgrip, the kit box configuration, and the array of lozenge-shaped humps on the surface of the tool.

09/19 Part No. N727159